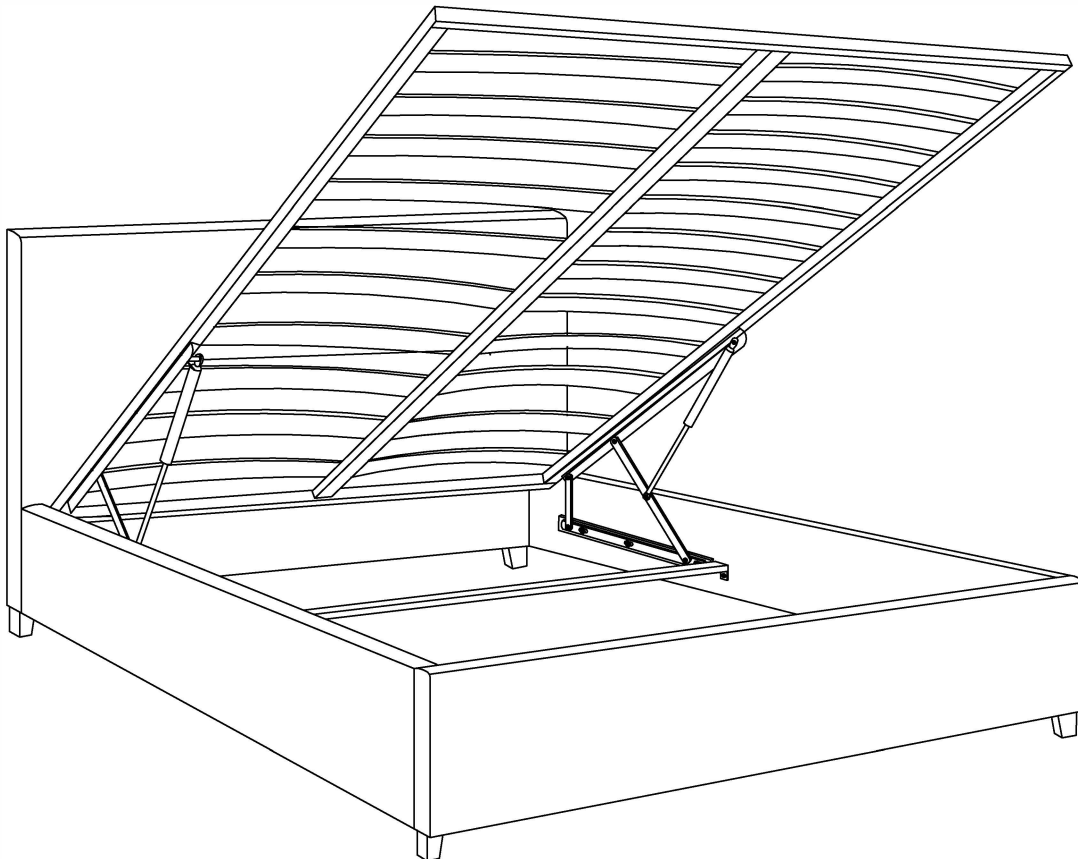


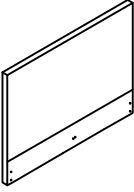
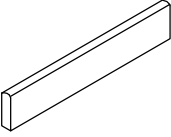
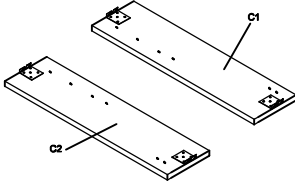
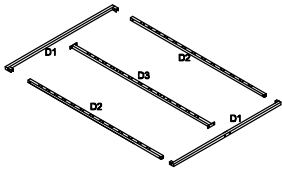
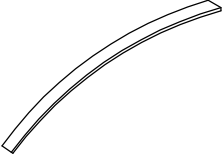

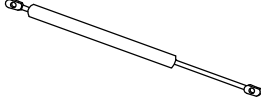
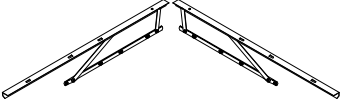
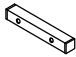
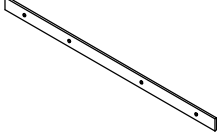
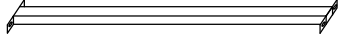
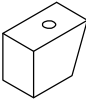
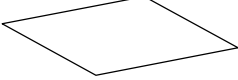
# ASSEMBLY DIAGRAM

**IMPORTANT NOTE:**


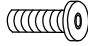
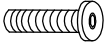







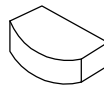
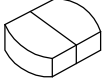





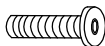
- ※PLACE ALL PARTS ON A CLEAN AND SMOOTH SURFACE SUCH AS A RUG OR CARPET TO AVOID THE PARTS FROM BEING SCRATCHED.
- ※KINDLY FOLLOW THE ASSEMBLY INSTRUCTIONS STEP BY STEP.
- ※DO NOT TIGHTEN ALL SCREWS UNTIL THE BED IS FULLY SET-UP.



## Parts List

<b>A:HEAD BOARD 1PC</b> 	<b>B:FOOT BOARD 1PC</b> 	<b>C:SIDE RAIL 2PCS</b> 	<b>D:BEDSTEAD KD 1SETS</b> 
<b>E:SLAT 26PCS</b> 	<b>F:ANGLE IRON 2PCS</b> 	<b>G:STEAM MOVING BAR 2PCS</b> (ASSEMBLED WITH H ALREADY) 	<b>H:STEAM MOVING MECHANICA 2PCS</b> 
<b>I:SQUARE TUBE 2PCS</b> 	<b>J : 2PCS</b> THIN WOODEN PLATE 2PCS 	<b>K : 1PC</b> 	<b>L :LEG 4PCS</b> 
<b>M : Non-Woven Bed Base 1PC</b> 			

## Hardware List

<b>1:BOLT 18PCS</b>  M8X45mm	<b>2:BOLT 8PCS</b>  M8X30mm	<b>3:BOLT 8PCS</b>  M6X40mm	<b>4:BOLT 12PCS</b>  M6X20mm	<b>5:ALLEN KEY 1PC</b> 	<b>6:NUT 14PCS</b>  M8
<b>7:FLAT WASHER 30PCS</b>  M8	<b>8:SPRING WASHER 30PCS</b>  M8	<b>9:ALLEN KEY 1PC</b>  M8	<b>10:SPANNER 1PC</b> 	<b>11:SLAT CAP 26PCS</b> 	<b>12:DOUBLE PLASTIC CAP 13PCS</b> 
<b>13:ANGLE IRON 2PCS</b> 	<b>14:ALLEN KEY 1PC</b>  M6	<b>15:FLAT WASHER 20PCS</b>  M6	<b>16:SPRING WASHER 20PCS</b>  M6	<b>17 1PC</b> 	<b>18:BOLT 4PCS</b>  M8X55mm

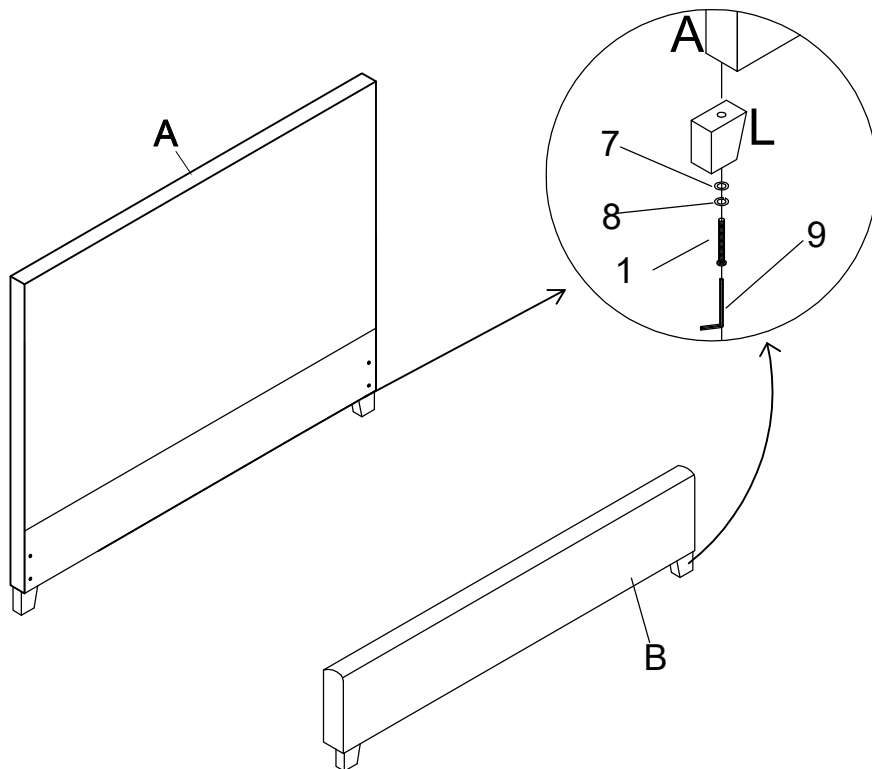
## STEP 1

1  4PCS

7  4PCS

8  4PCS


9  1PC




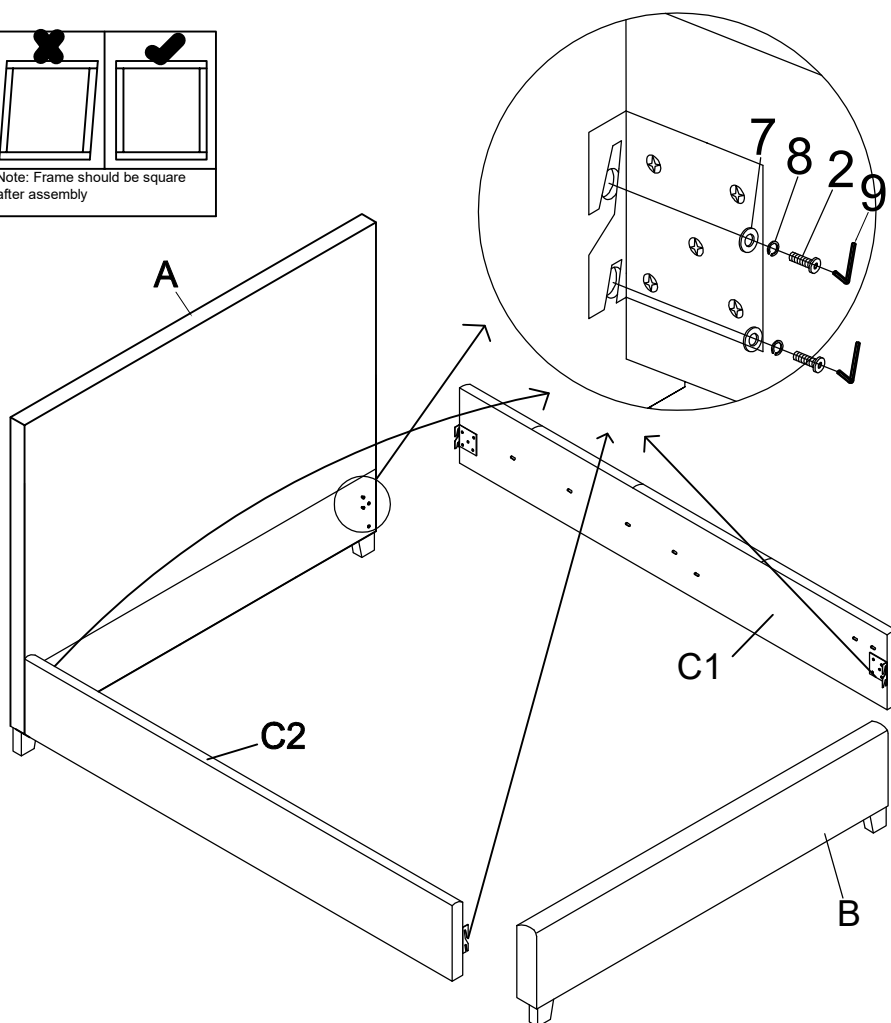
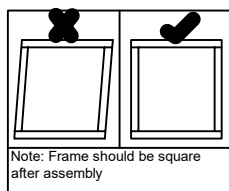
## STEP 2

2  8PCS


7  8PCS

8  8PCS


9  1PC




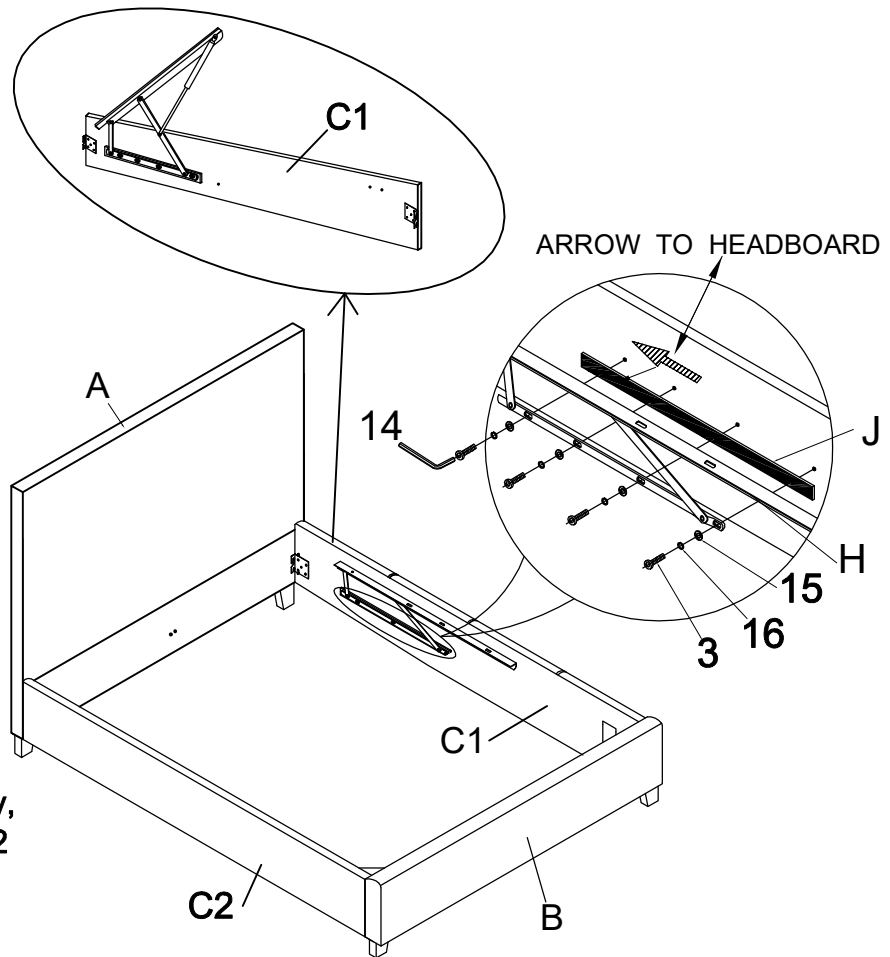
### STEP 3

3  8PCS


15  8PCS

16  8PCS

14  1PC



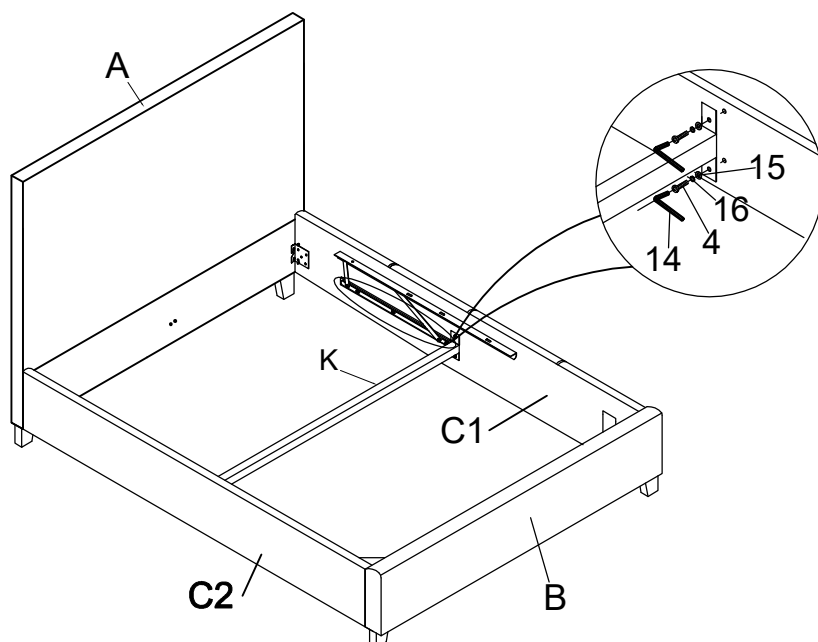
### STEP 4

4  4PCS

15  4PCS

16  4PCS

14  1PC





## STEP 5

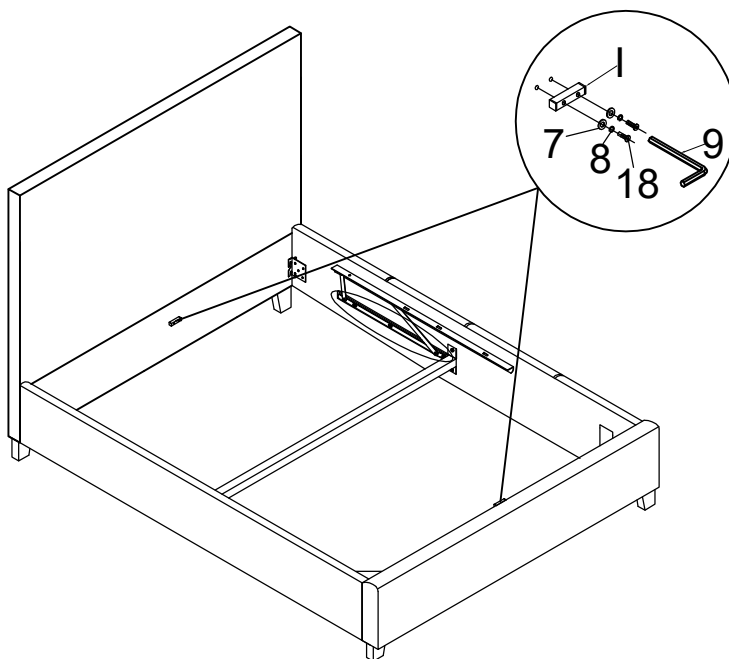
18  4PCS

7  4PCS


8  4PCS

9  1PC

1  2PCS




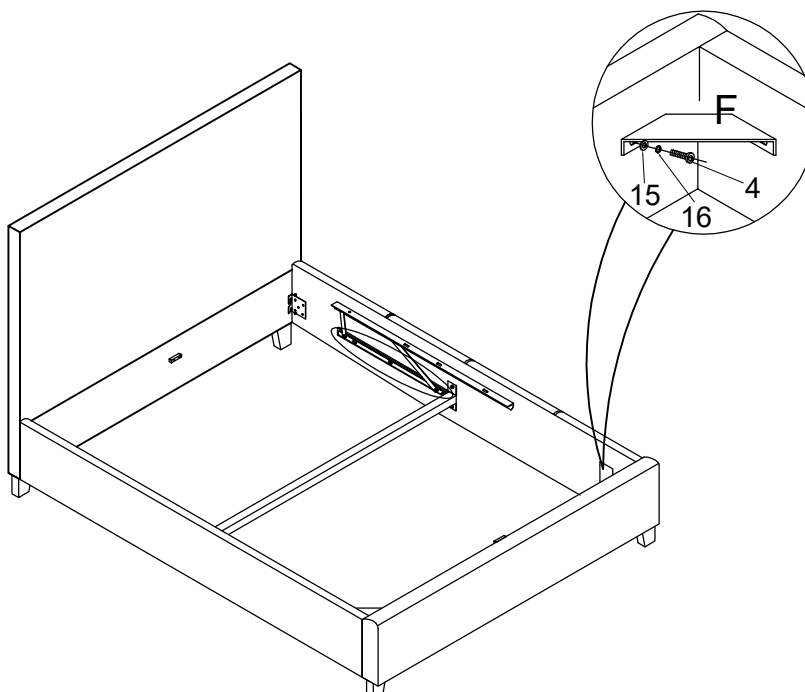
## STEP 6

4  8PCS

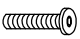
15  8PCS


16  8PCS


14  1PC





## STEP 7

1  10PCS


7  10PCS

8  10PCS

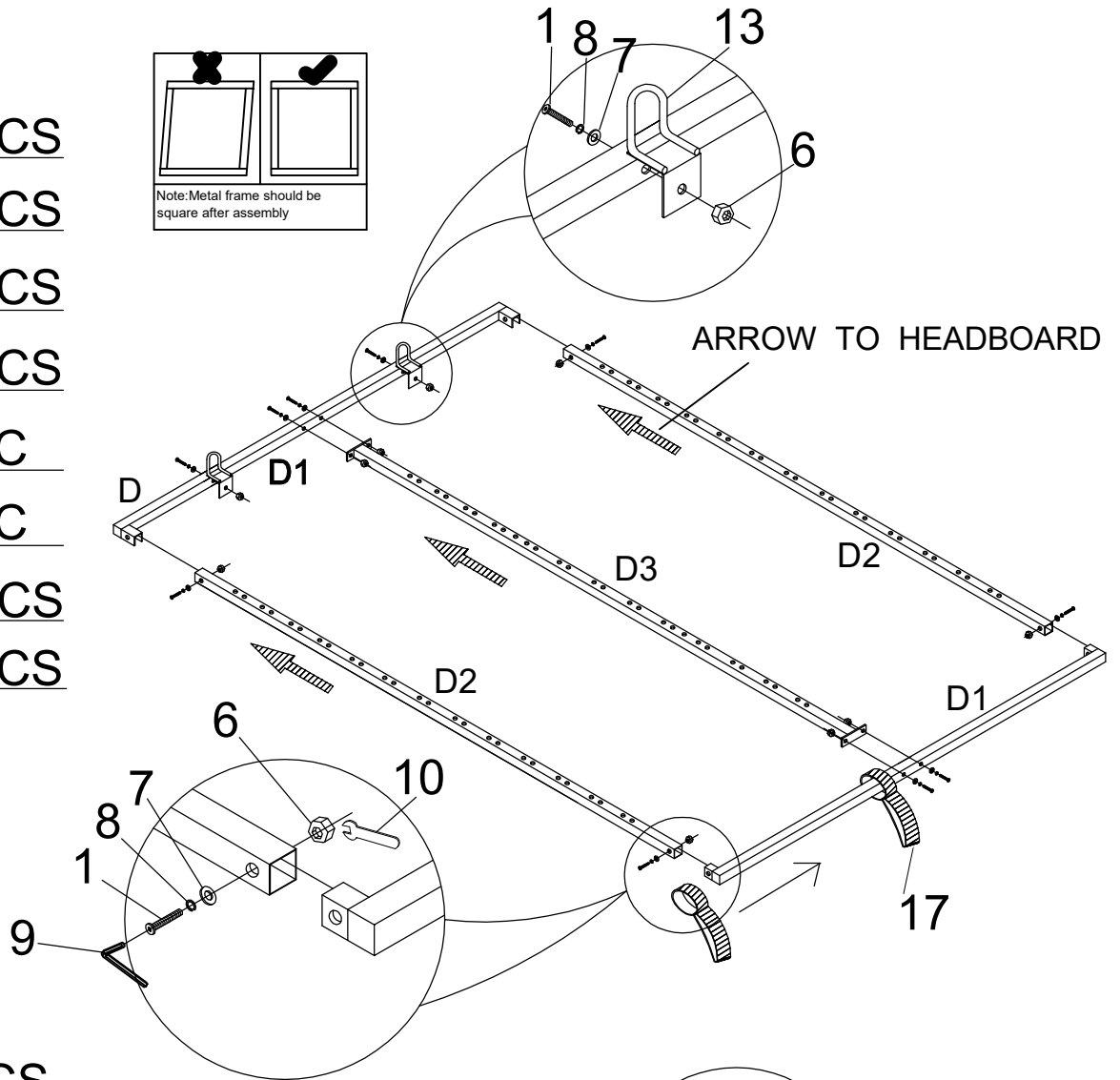
6  10PCS

9  1PC


10  1PC

13  2PCS

17  1PCS



## STEP 8


1  4PCS

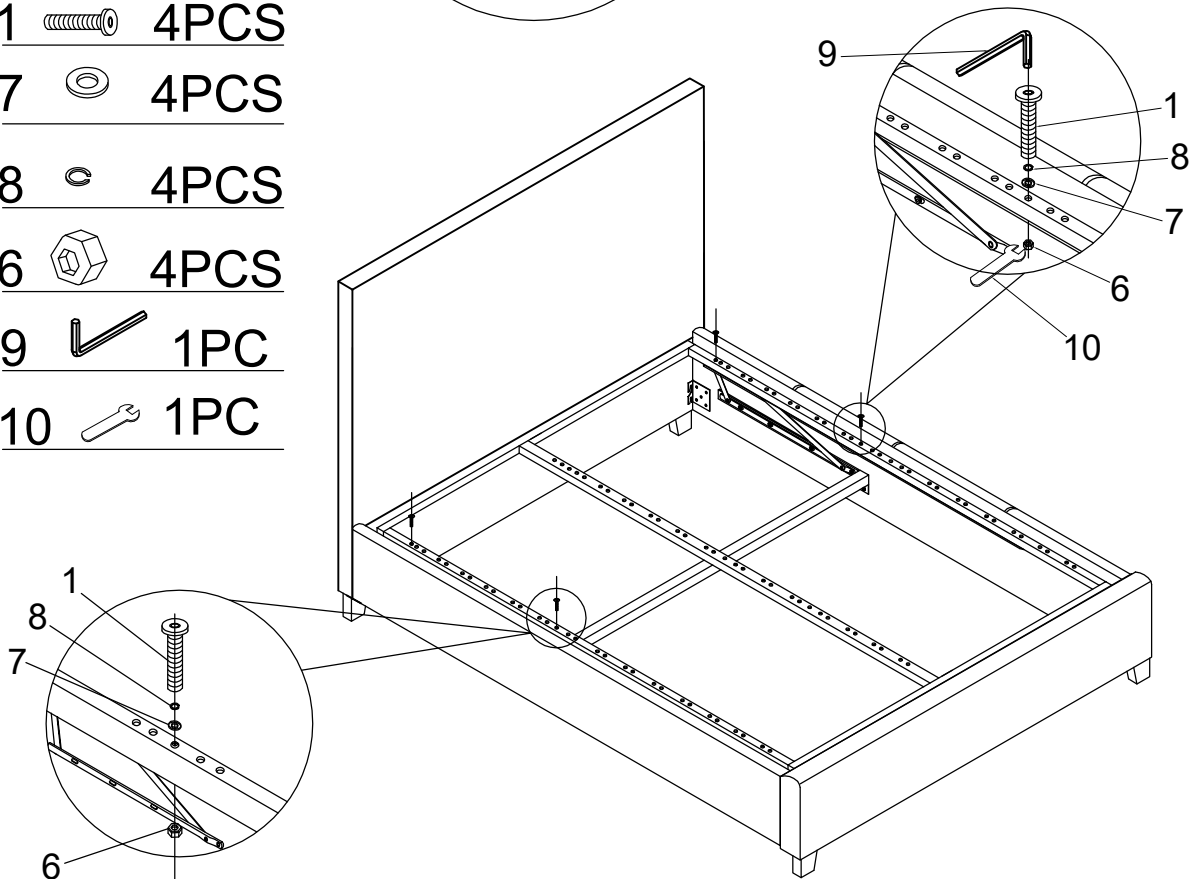
7  4PCS

8  4PCS

6  4PCS


9  1PC

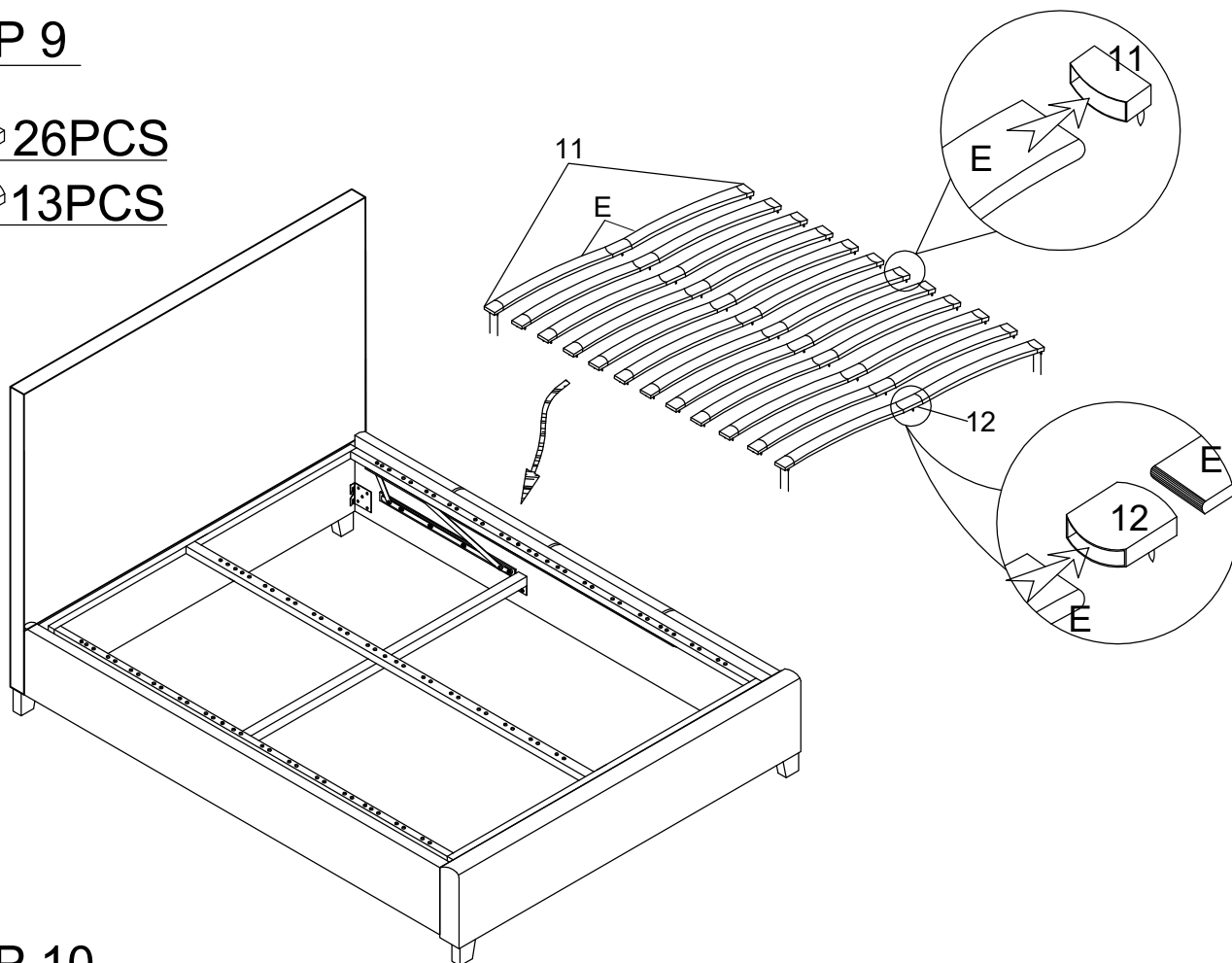
10  1PC



## STEP 9

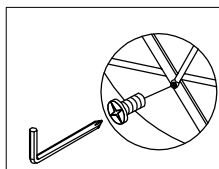
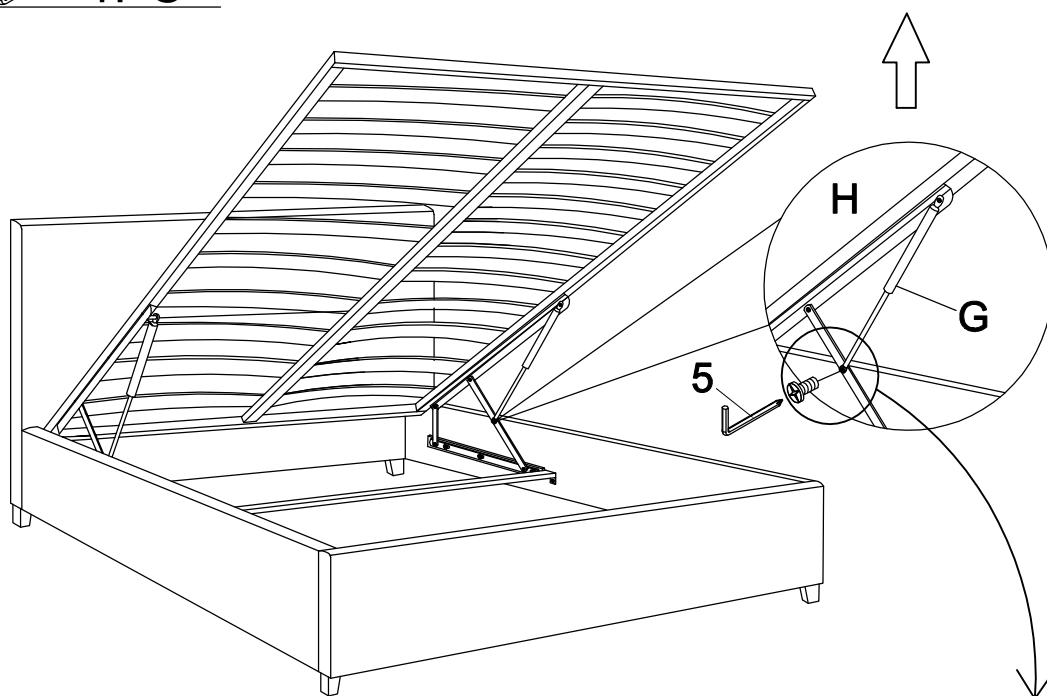
11  26PCS

12  13PCS




## STEP 10

5  1PC



Lifting the base, remove the bolt shown (1pc) from Part H. ensuring that the base is supported and will not come down. Screw the bolt back in tightly

# STEP 11

M  1PC

