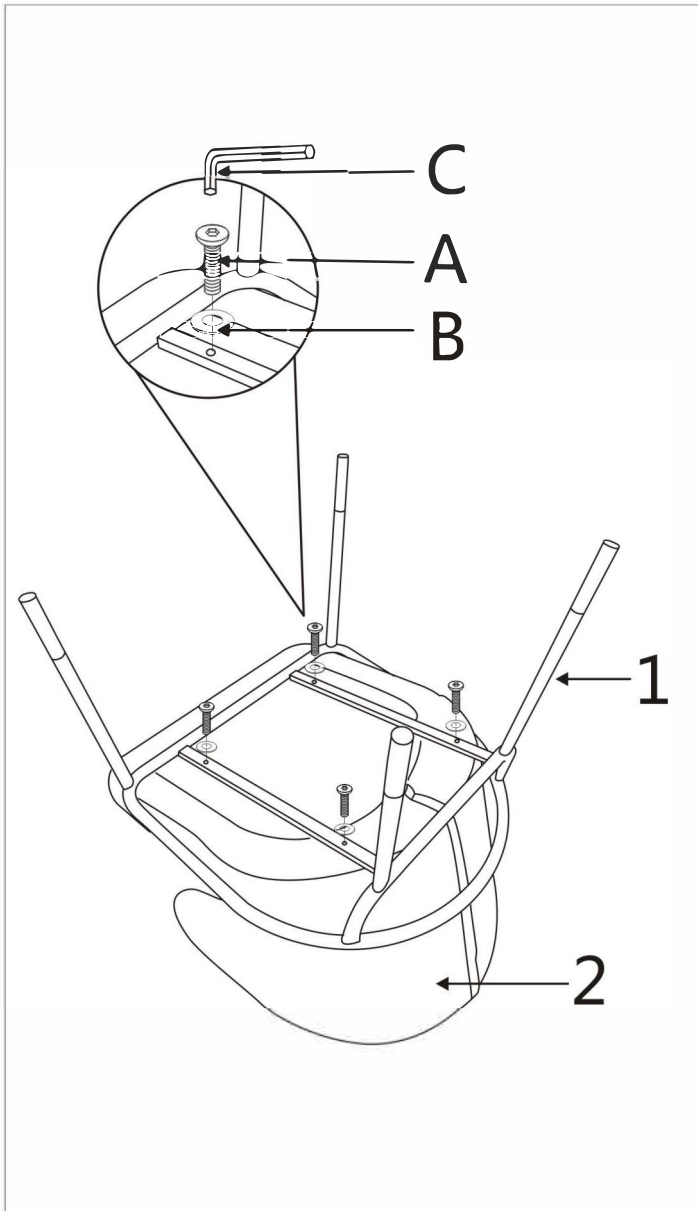


# ASSEMBLING INSTRUCTION



1		1
2		1
A		4
B		4
C		1