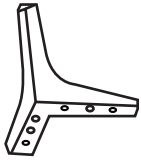


ASSEMBLY INSTRUCTIONS

PARTS AND HARDWARE



Leg
4x



Steel Nail
16x

DIAGRAM 1

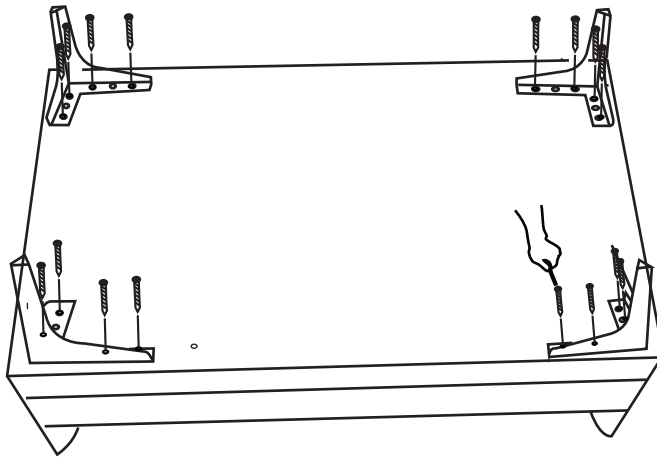


DIAGRAM 2

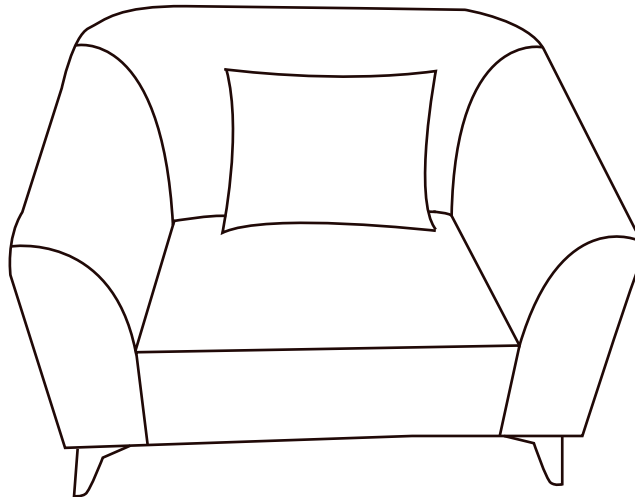
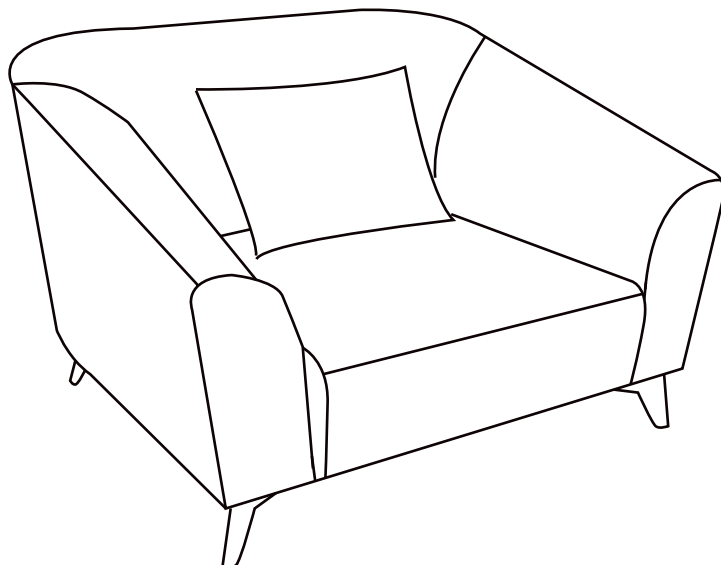
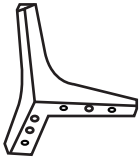


DIAGRAM 3



ASSEMBLY INSTRUCTIONS

PARTS AND HARDWARE



Leg
4x



Steel Nail
16x

DIAGRAM 1

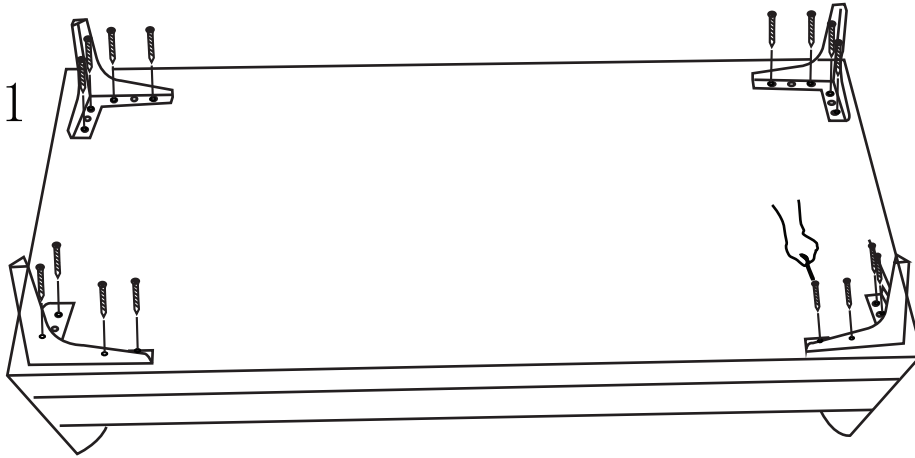


DIAGRAM 2

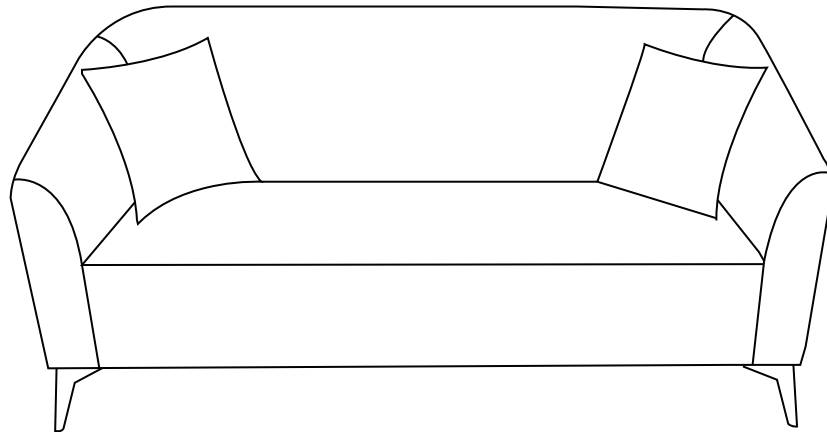
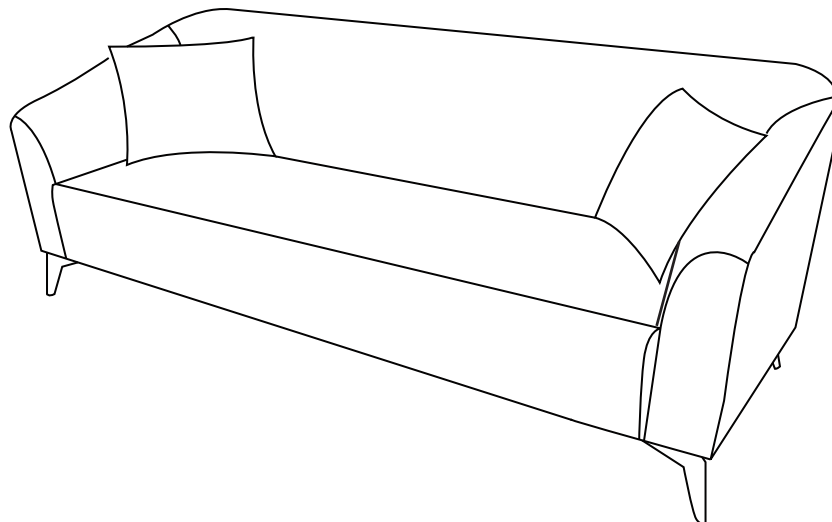
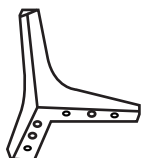


DIAGRAM 3



ASSEMBLY INSTRUCTIONS

PARTS AND HARDWARE



Leg
4x



Steel Nail
16x

DIAGRAM 1

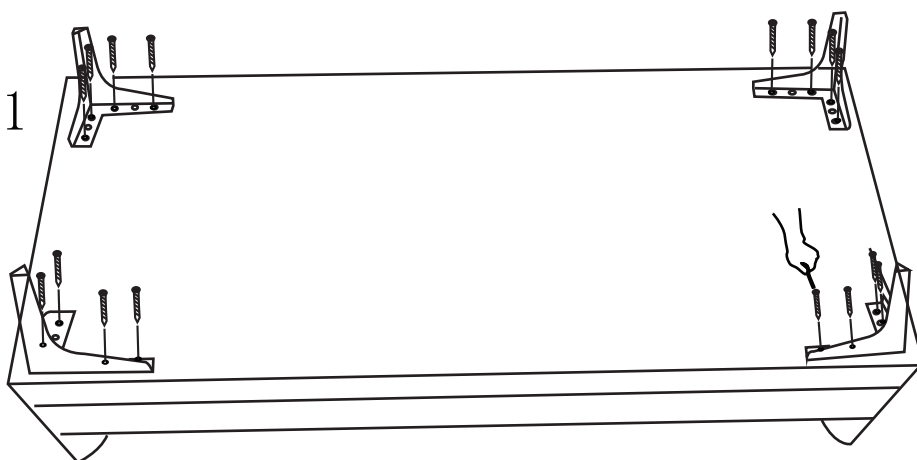


DIAGRAM 2

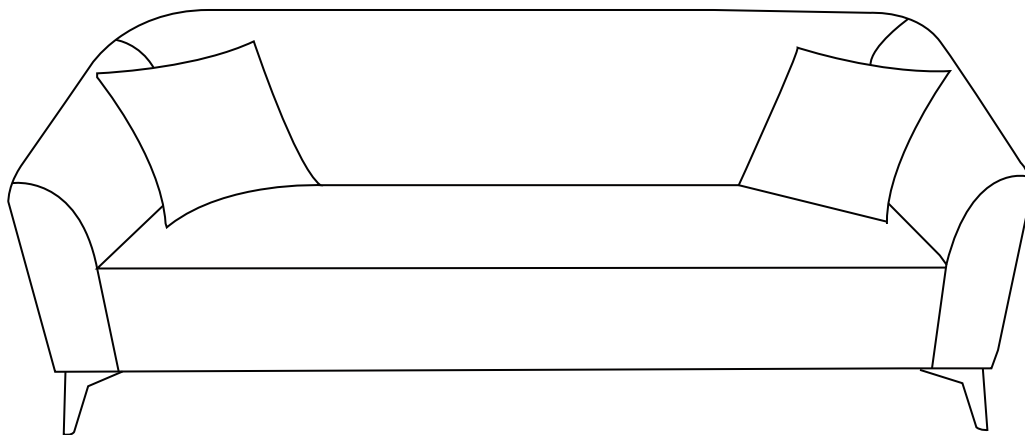
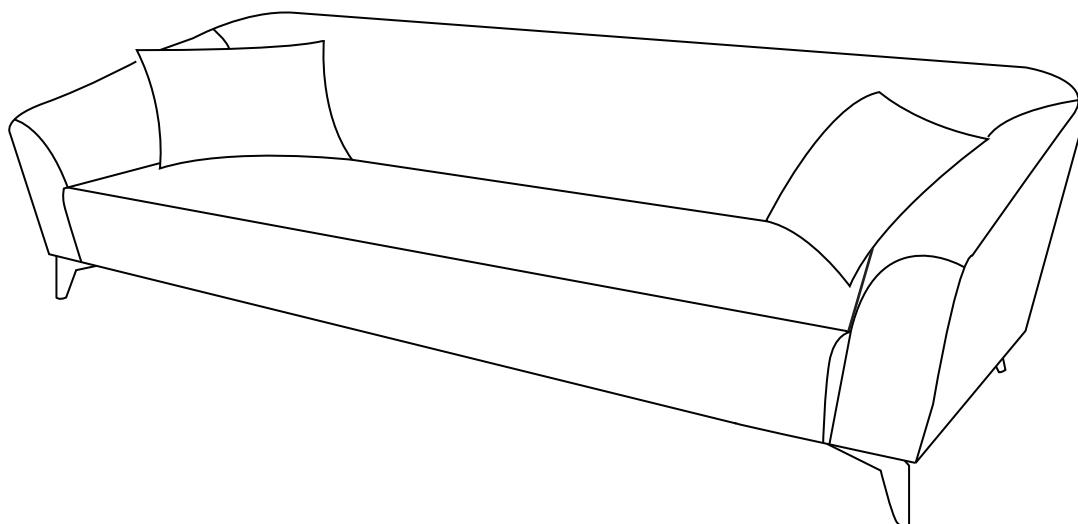
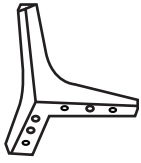


DIAGRAM 3



ASSEMBLY INSTRUCTIONS

PARTS AND HARDWARE



Leg
4x



Steel Nail
16x

DIAGRAM 1

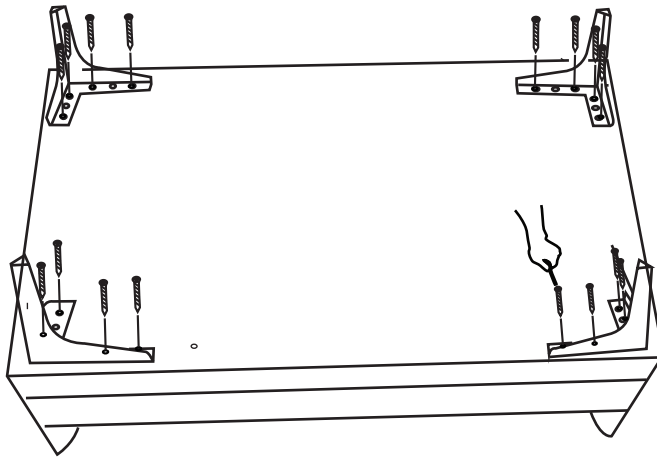


DIAGRAM 2

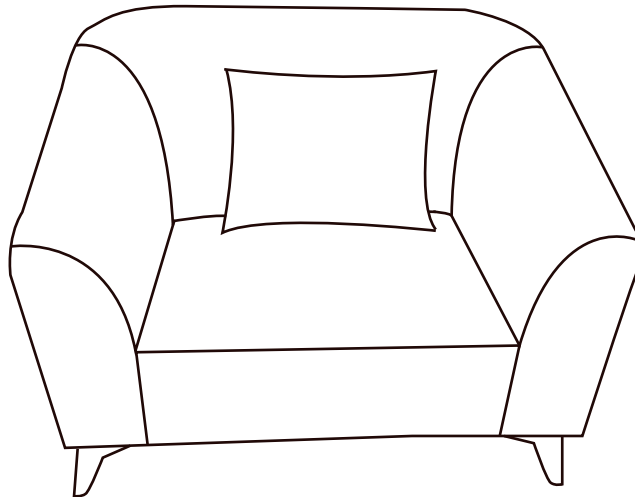
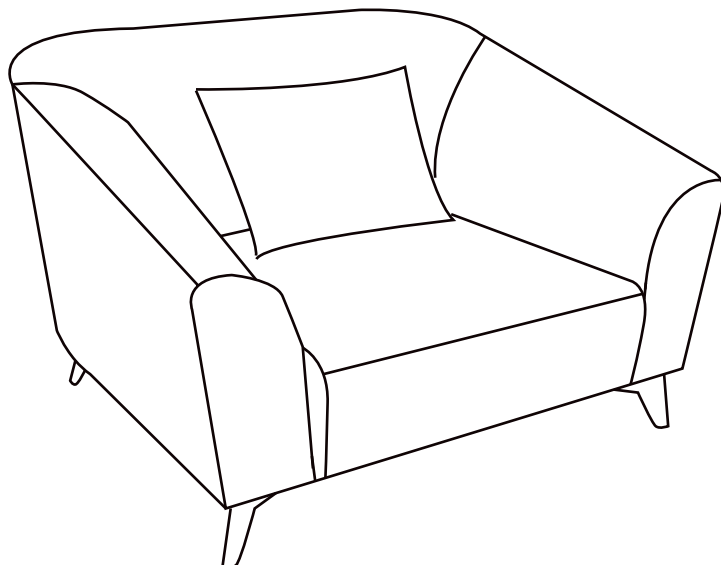
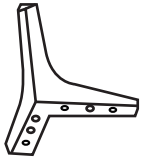


DIAGRAM 3



ASSEMBLY INSTRUCTIONS

PARTS AND HARDWARE



Leg
4x



Steel Nail
16x

DIAGRAM 1

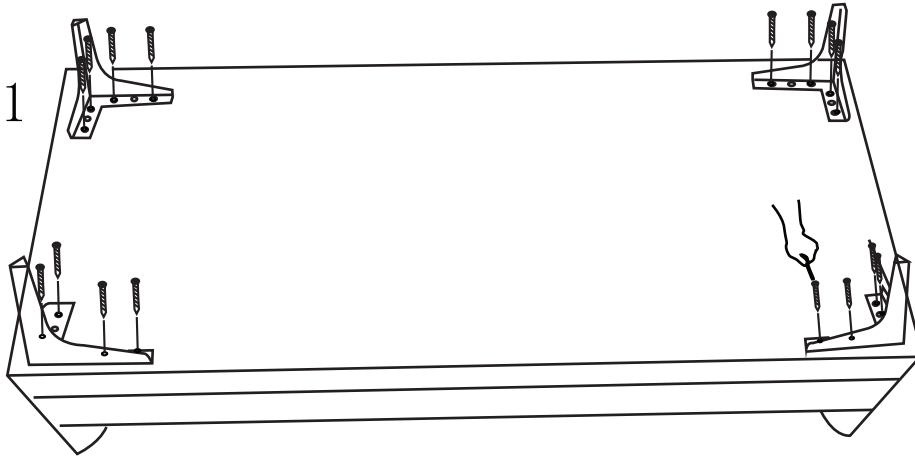


DIAGRAM 2

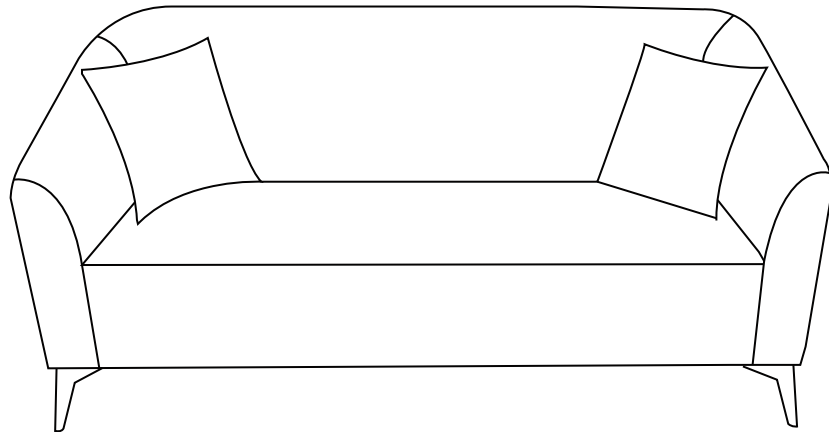
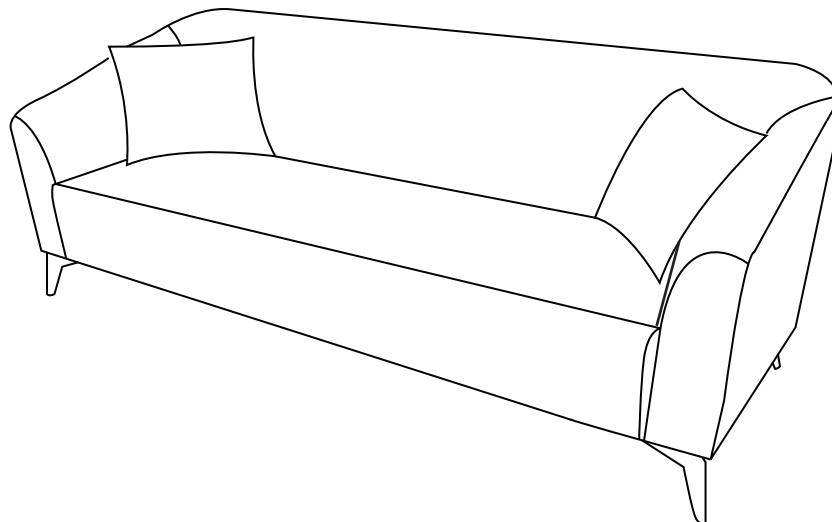
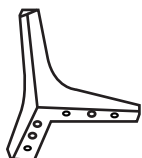


DIAGRAM 3

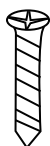


ASSEMBLY INSTRUCTIONS

PARTS AND HARDWARE



Leg
4x



Steel Nail
16x

DIAGRAM 1

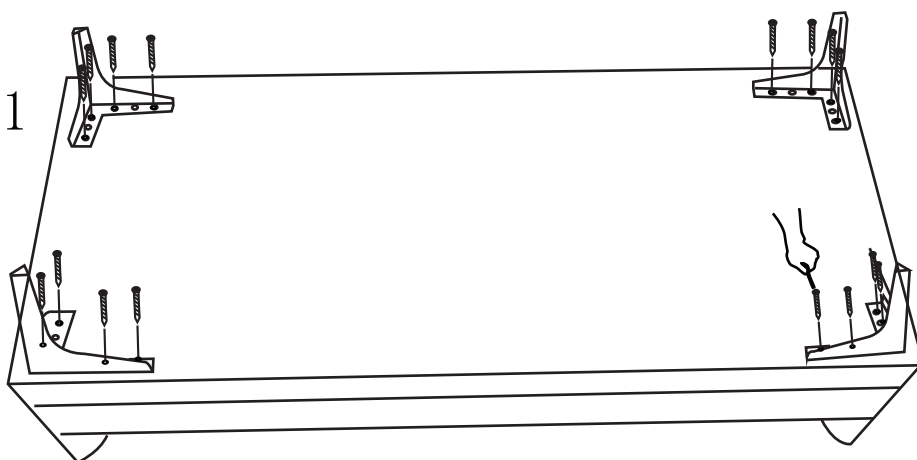


DIAGRAM 2

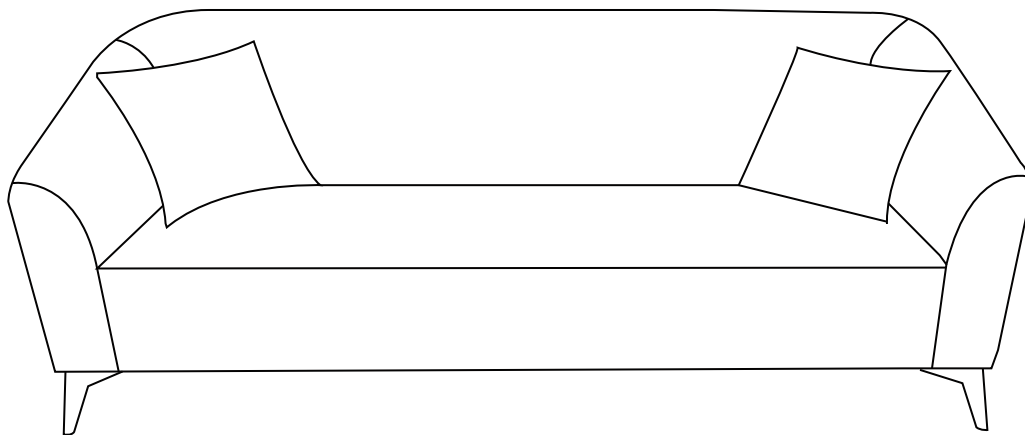
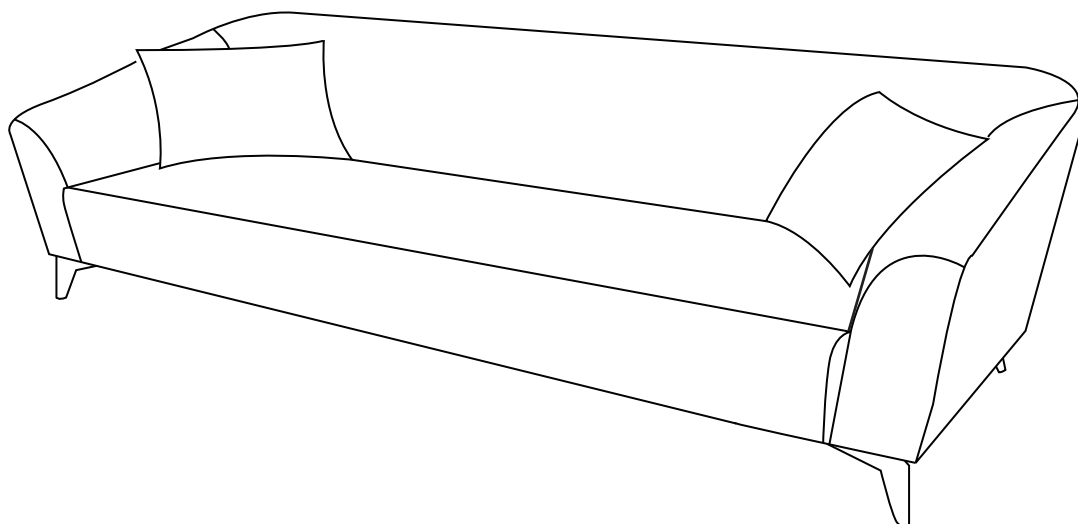
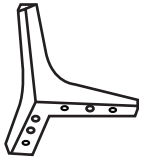


DIAGRAM 3



ASSEMBLY INSTRUCTIONS

PARTS AND HARDWARE



Leg
4x



Steel Nail
16x

DIAGRAM 1

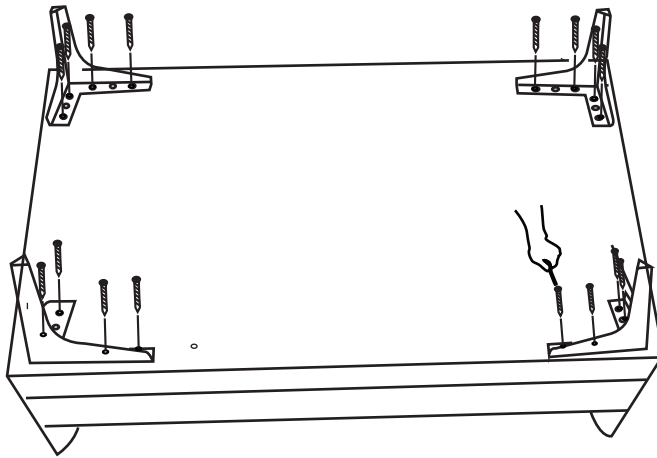


DIAGRAM 2

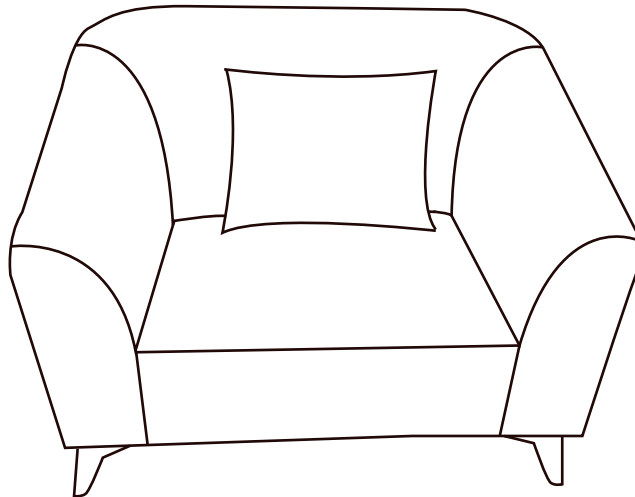
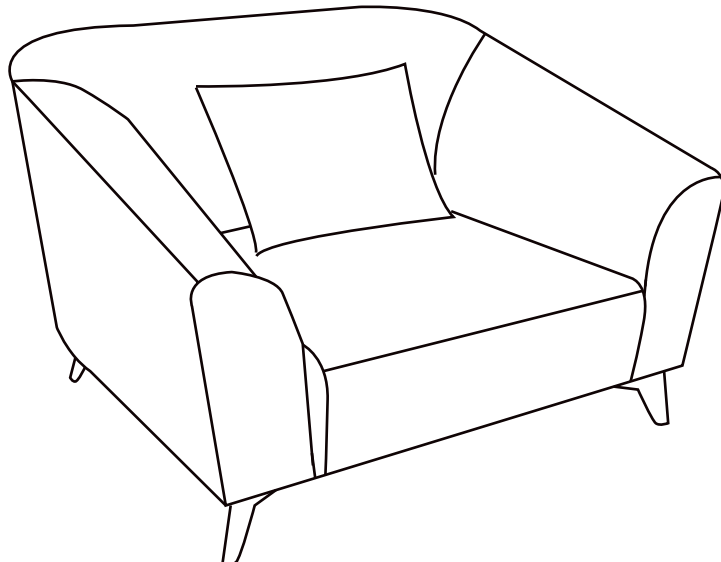
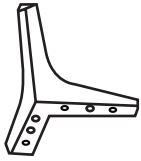


DIAGRAM 3



ASSEMBLY INSTRUCTIONS

PARTS AND HARDWARE



Leg
4x



Steel Nail
16x

DIAGRAM 1

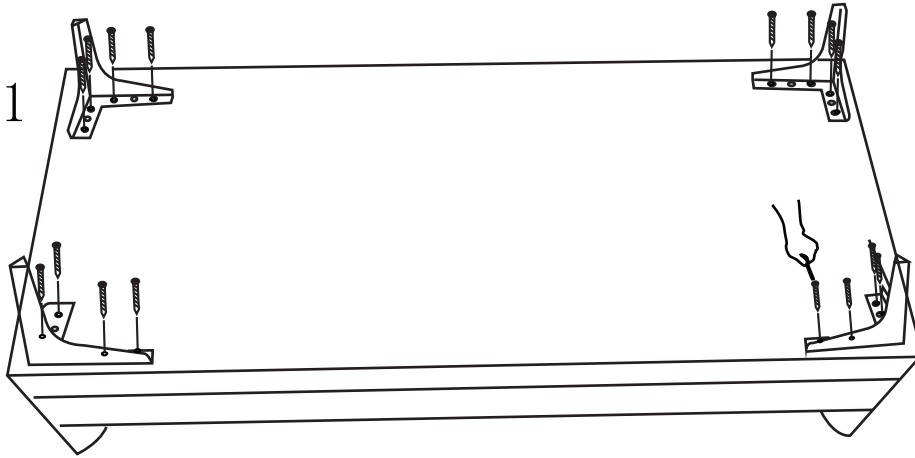


DIAGRAM 2

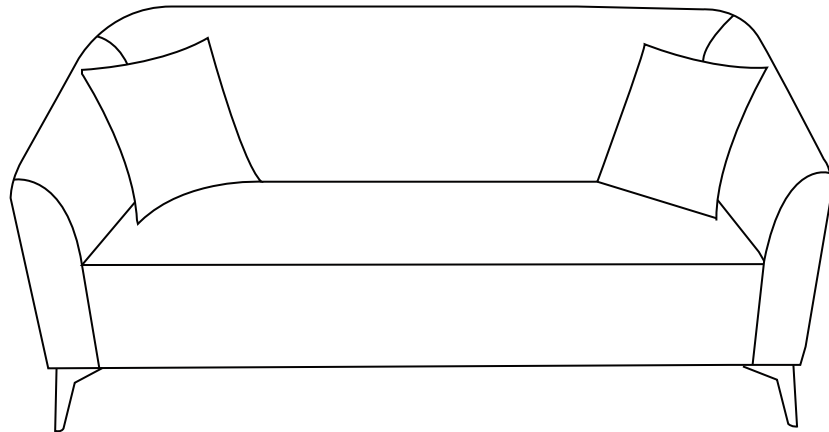
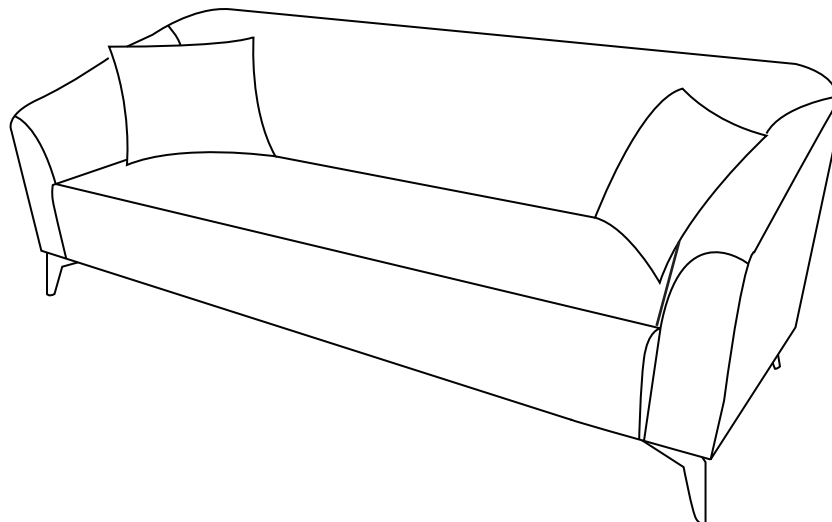
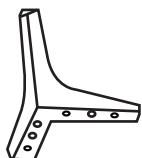


DIAGRAM 3

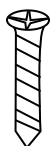


ASSEMBLY INSTRUCTIONS

PARTS AND HARDWARE



Leg
4x



Steel Nail
16x

DIAGRAM 1

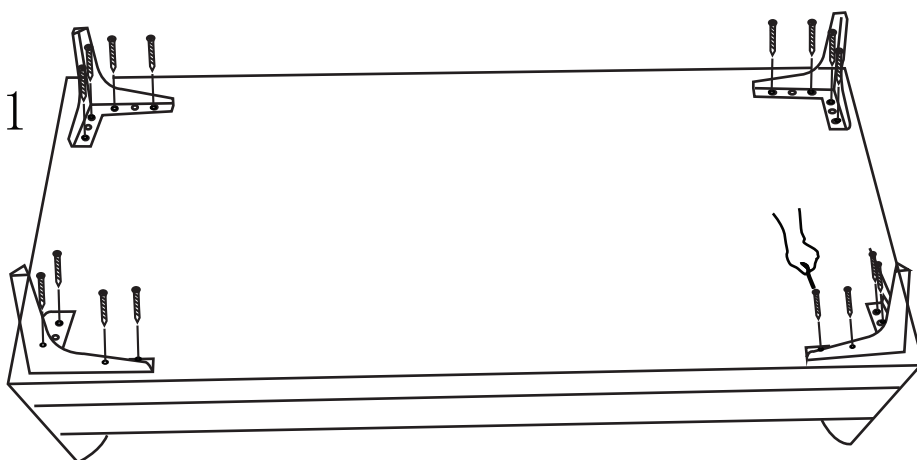


DIAGRAM 2

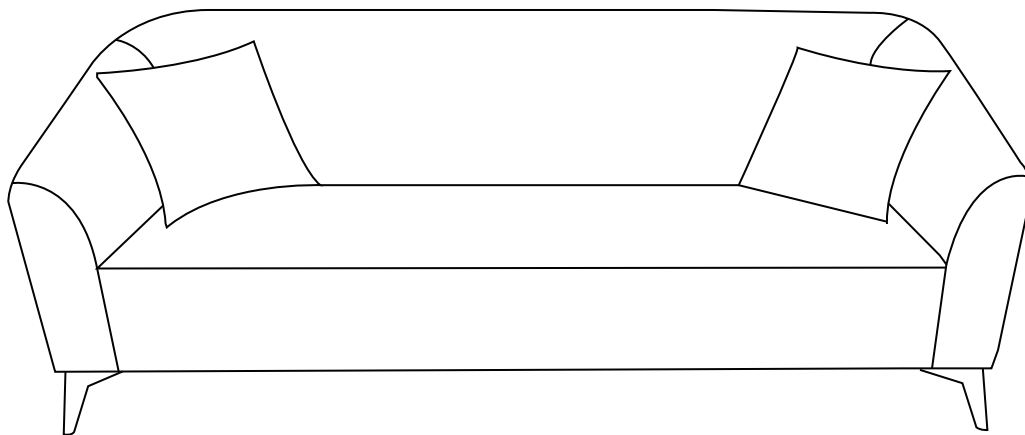


DIAGRAM 3

