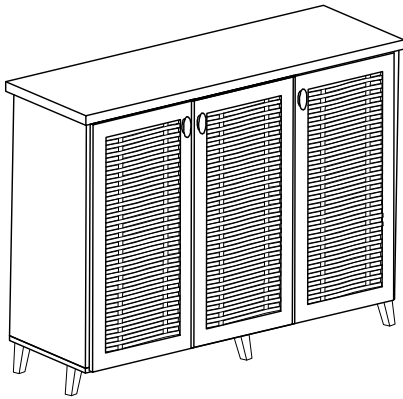
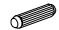


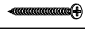










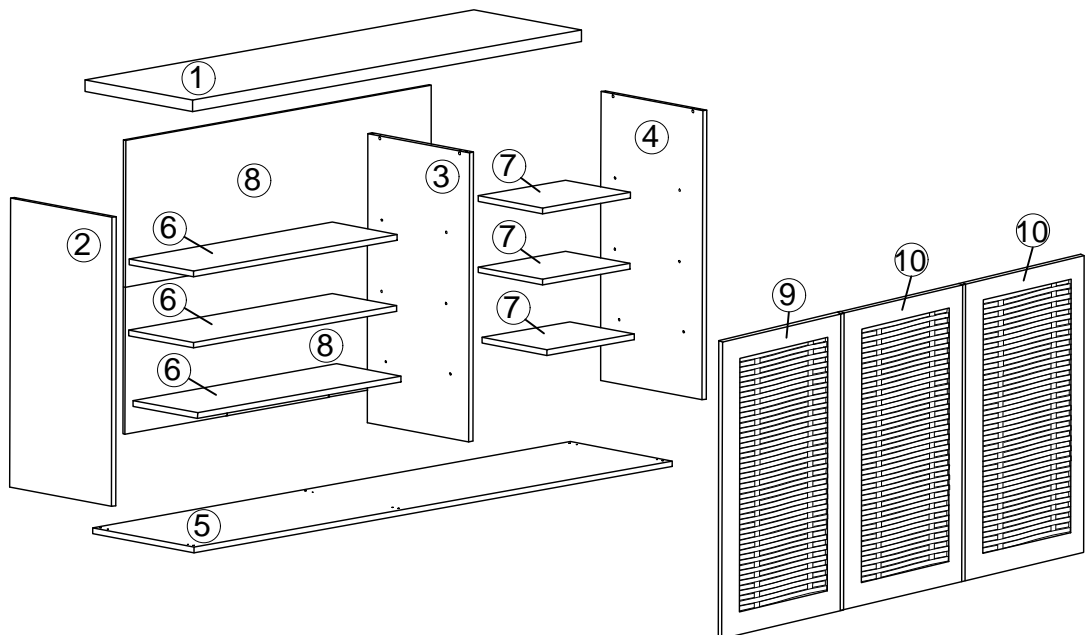
# Assembly Instruction

## Mantam Shoe Rack



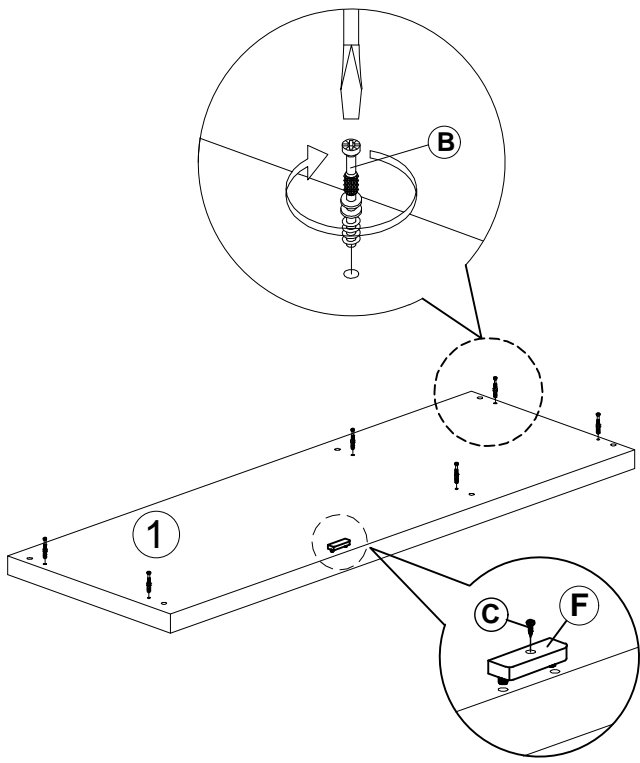
Hardware List			
No.	SHAPE	DESCRIPTION	Qty.
A		8x25mm Dowel	12Pcs
B		15MM Myfix Minifix	6Sets
C		M3.5x16mm Screw	57Pcs
D		M4x45mm Screw	6Pcs
E		Nail	40Pcs
F		2 Pin Stopper	1Pcs
G		Hinges	6Pcs
H		Plastic Leg	5Pcs
I		Shelf Support	24Pcs
J		Handle Knod	3Pcs
K		M4x28mm Screw	3Pcs
L		Sticker	3Pcs

## Part List

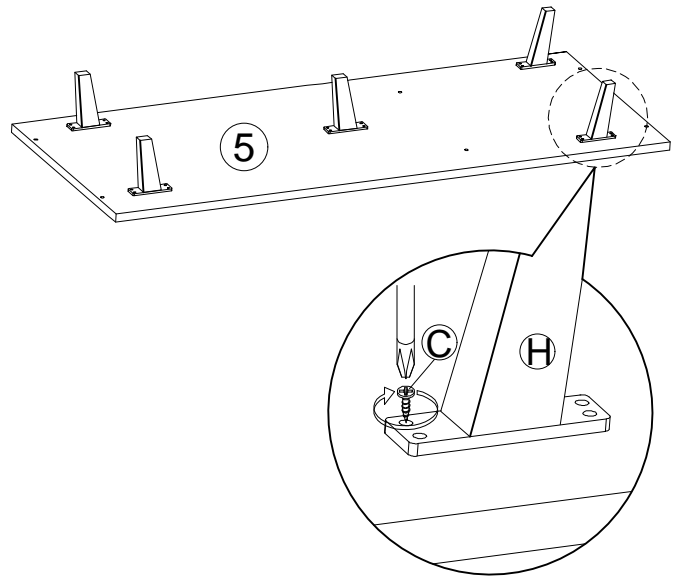


# Assembly Instruction

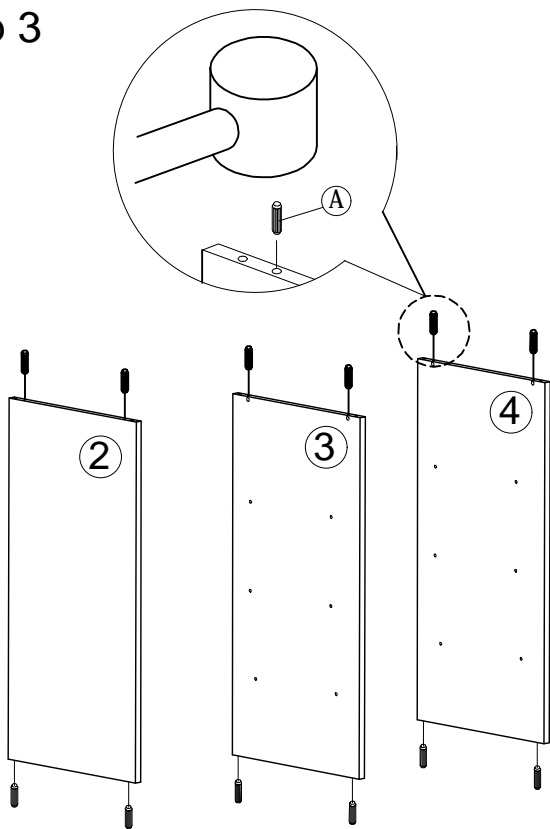
## Step 1



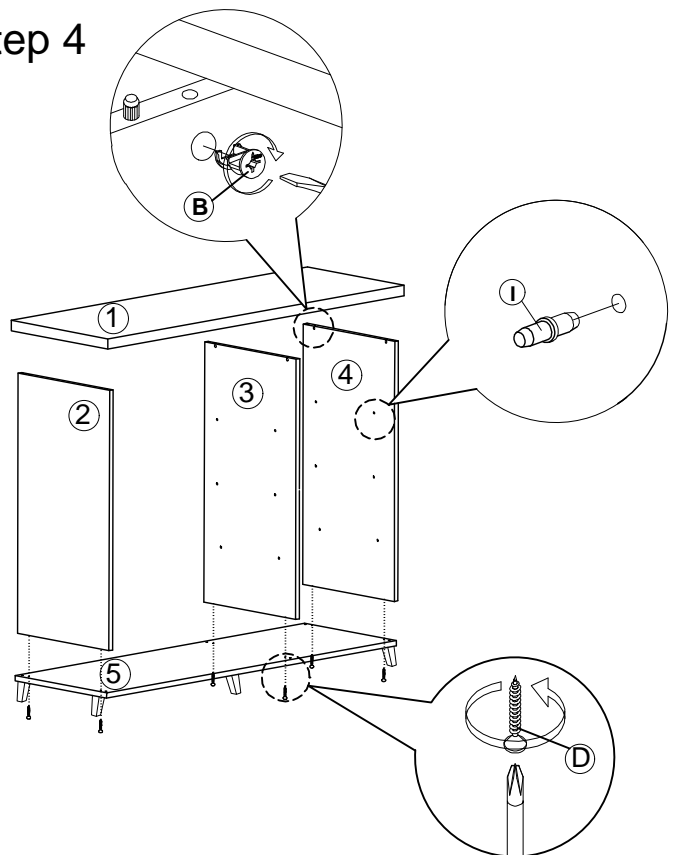
## Step 2



## Step 3

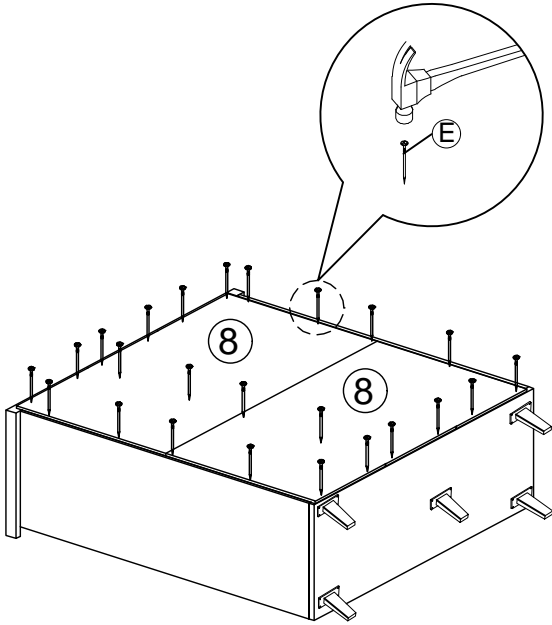


## Step 4

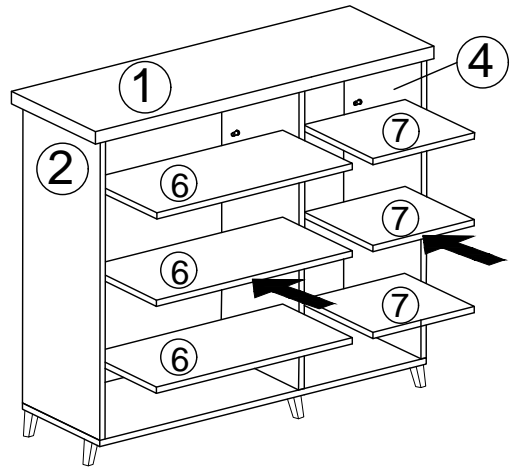


# Assembly Instruction

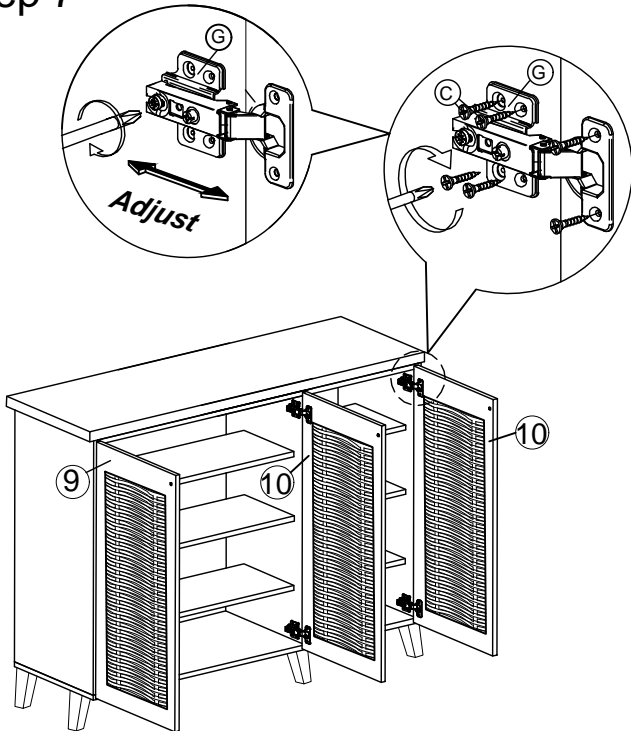
Step 5



Step 6



Step 7



Step 8

