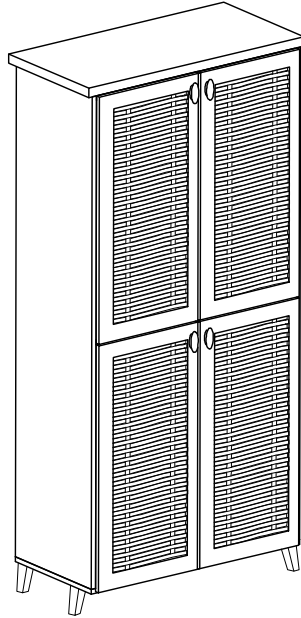
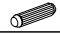
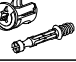











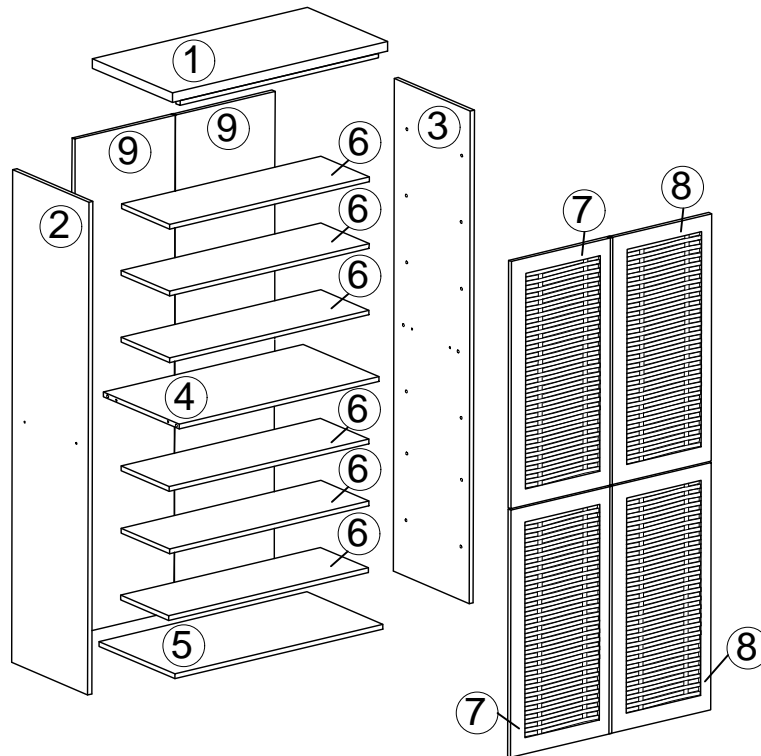
Assembly Instruction

Mantam Shoe Rack



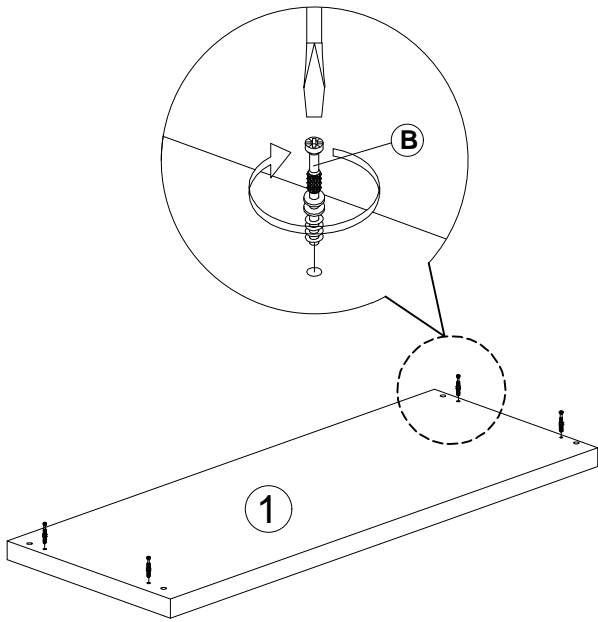
Hardware List			
No.	SHAPE	DESCRIPTION	Qty.
A		8x25mm Dowel	12Pcs
B		15MM Myfix Minifix	4Sets
C		M3.5x16mm Screw	64Pcs
D		M4x45mm Screw	8Pcs
E		Nail	30Pcs
F		Hinges	8Pcs
G		Plastic Leg	4Pcs
H		Shelf Support	24Pcs
I		Handle Knod	4Pcs
J		M4x28mm Screw	4Pcs
K		Sticker	8Pcs

Part List

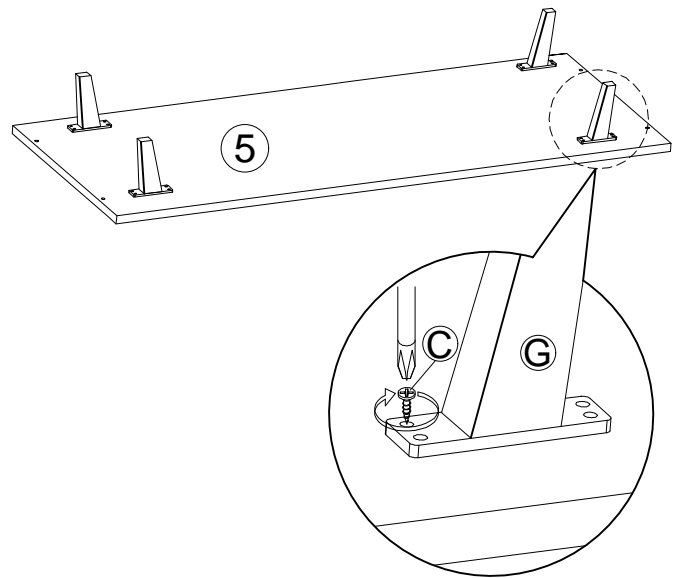


Assembly Instruction

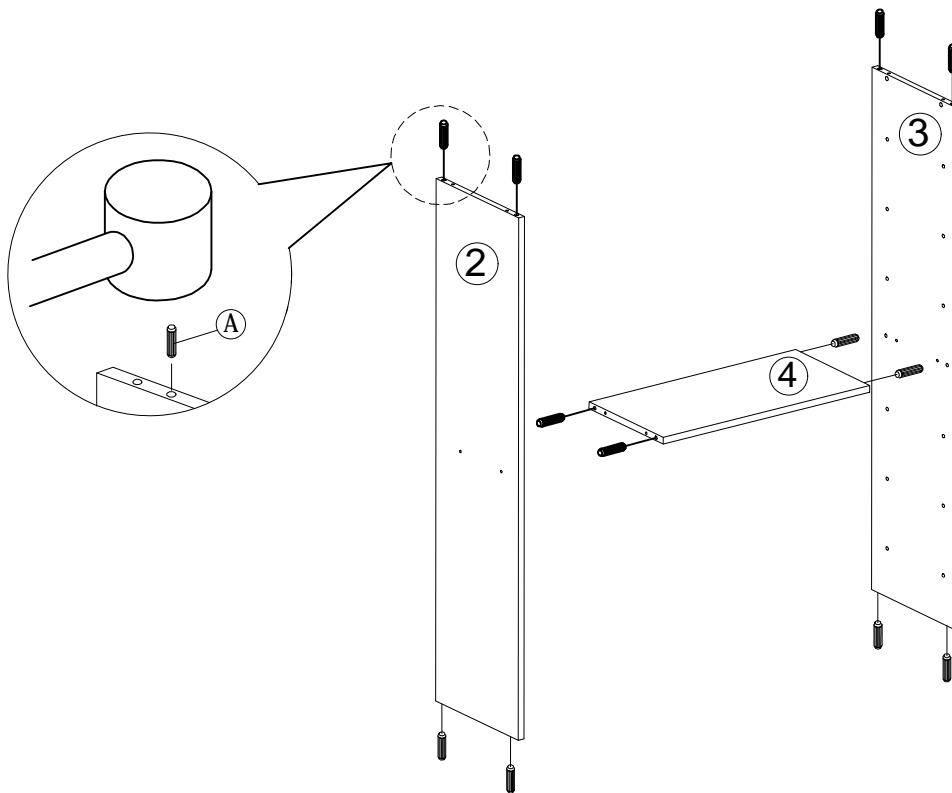
Step 1



Step 2

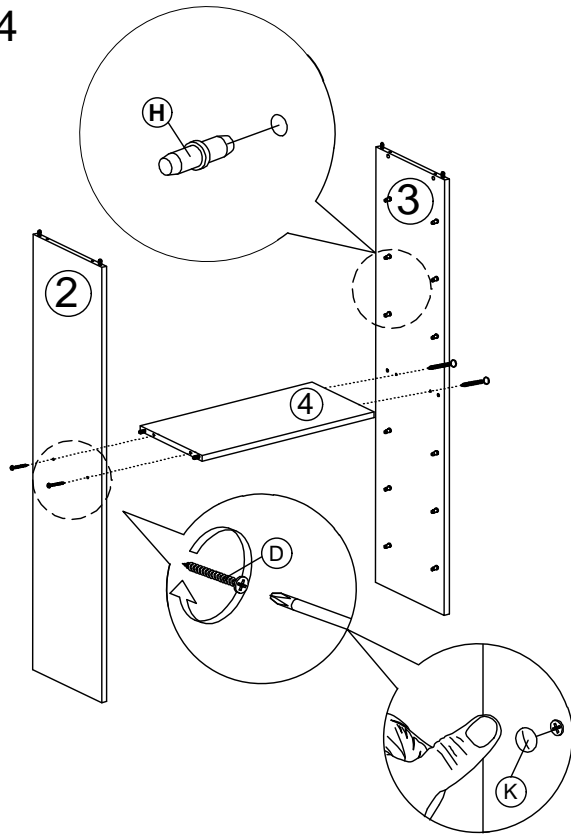


Step 3

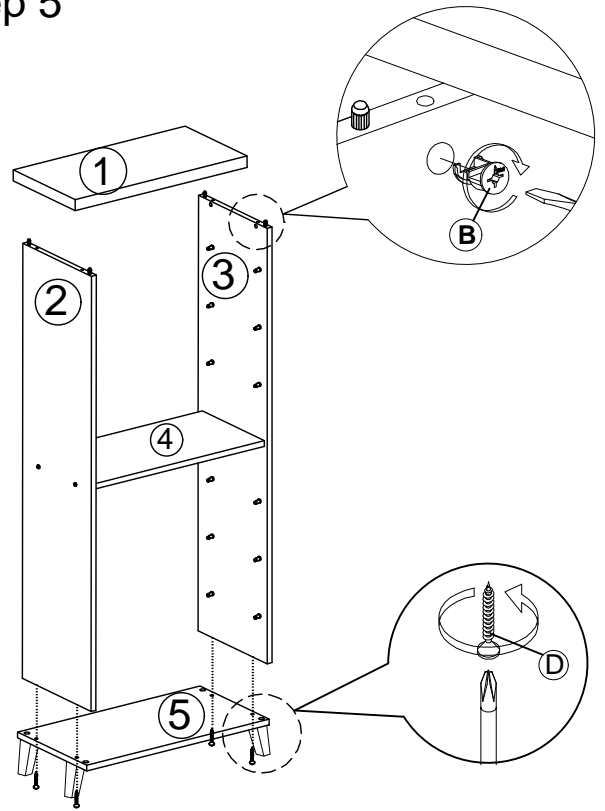


Assembly Instruction

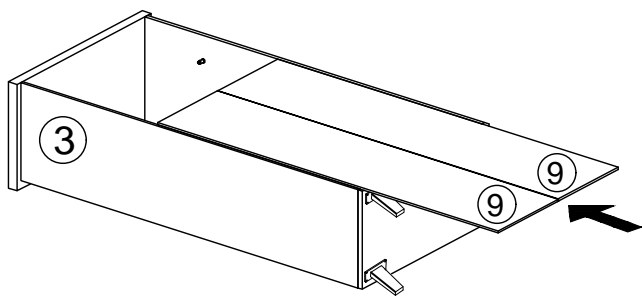
Step 4



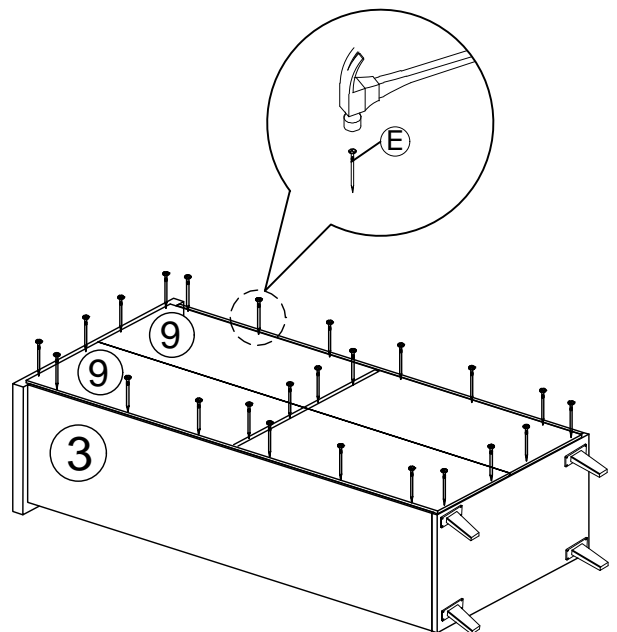
Step 5



Step 6

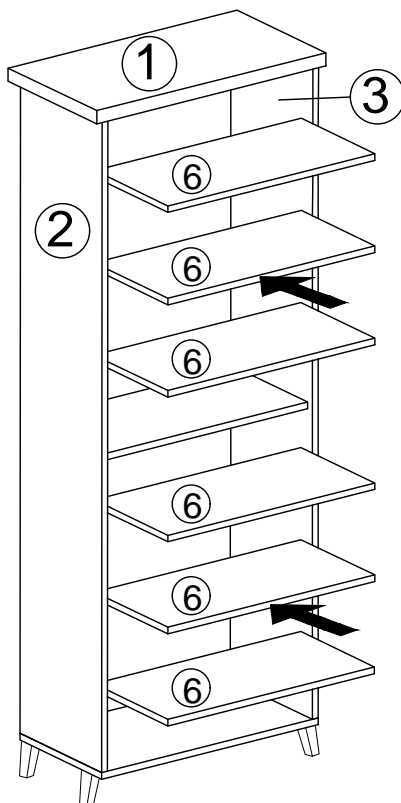


Step 7

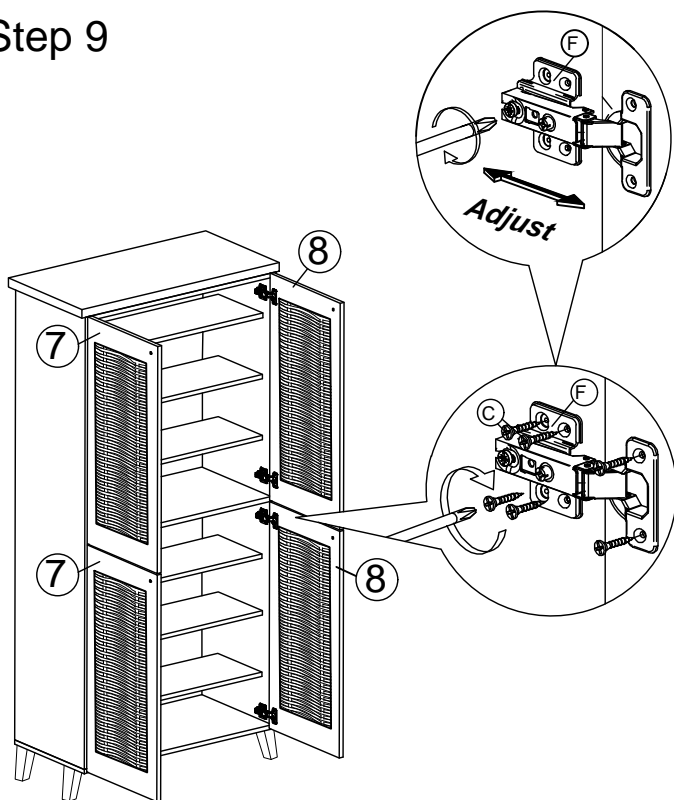


Assembly Instruction

Step 8



Step 9



Step 10

