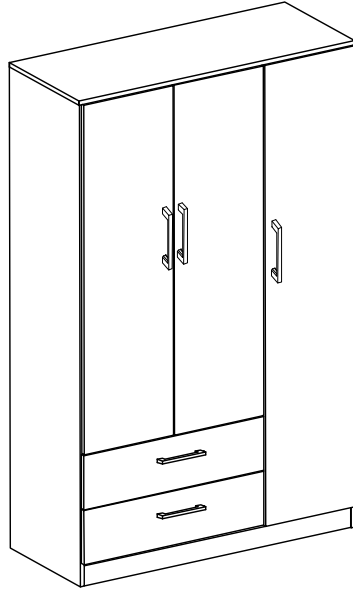


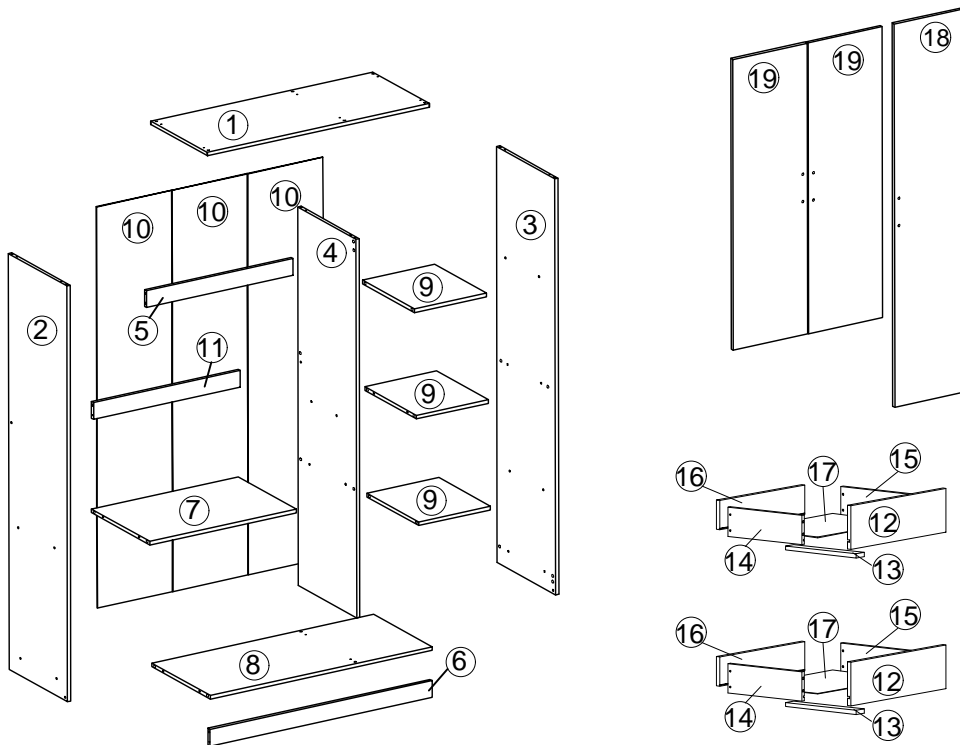
Assembly Instruction

Model : LEGO 3D + 2 DRAWERS WARDROBE



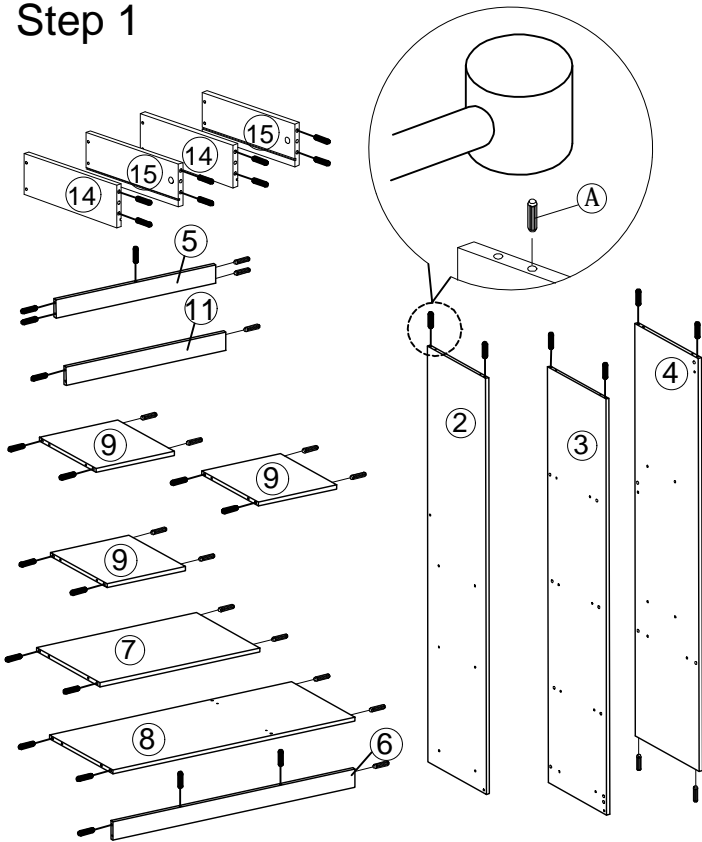
Hardware List			
No.	SHAPE	DESCRIPTION	Qty.
A		8x25mm Dowel	47Pcs
B		M3.5x16mm Screw	68Pcs
C		M4x45mm Screw	28Pcs
D		Hinges	7Pcs
E		Leg L	5Pcs
F		Nail	55Pcs
G		M4x65mm Screw	6Pcs
H		V Bracket	2Pcs
I		Handle (128mm)	5Pcs
J		M4x28mm Screw	10Pcs
K		Stiker	26Pcs
L		15MM Myfix Minifix	6Sets
M		Drawer Slide 16" (400mm)	2Sets
N		Aluminium Pipe (563 mm)	1Sets

Part List

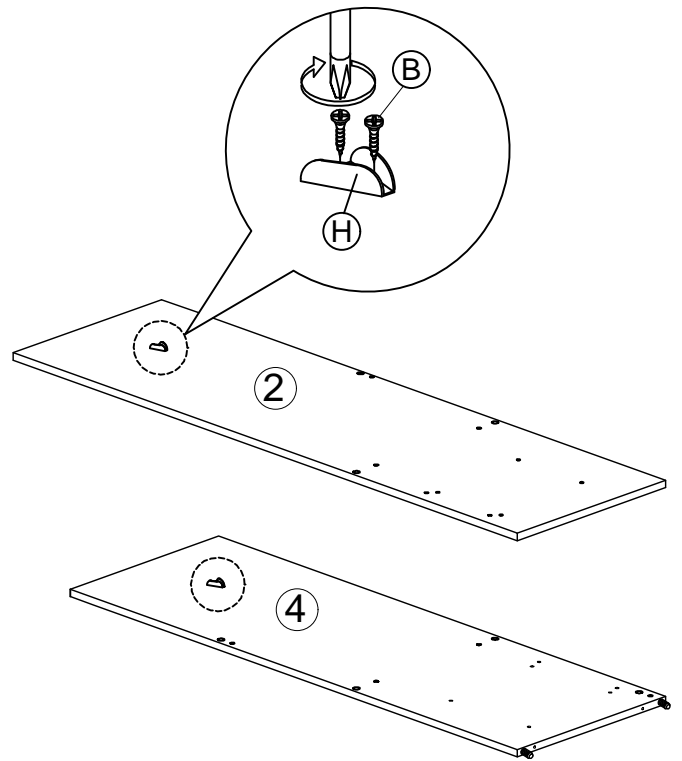


Assembly Instruction

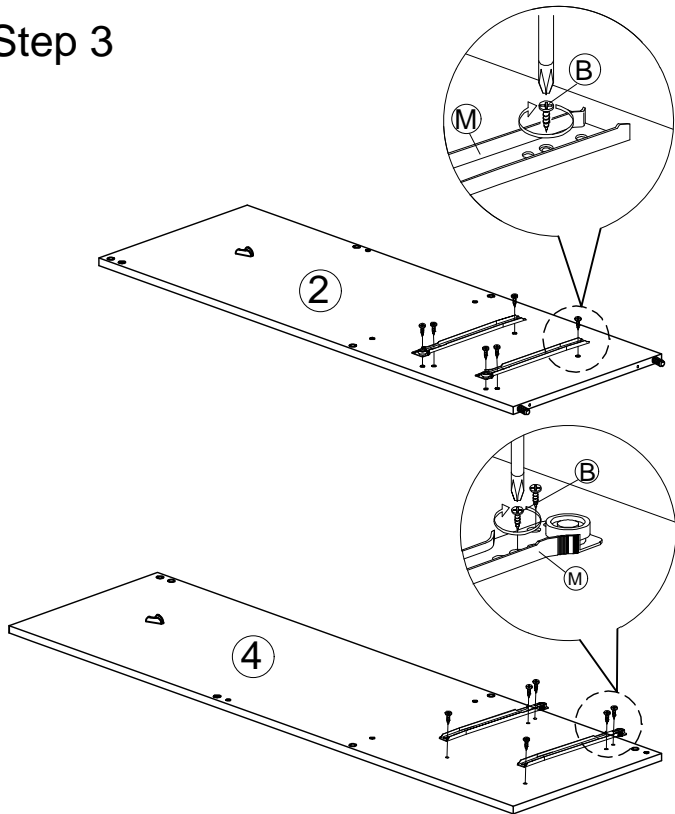
Step 1



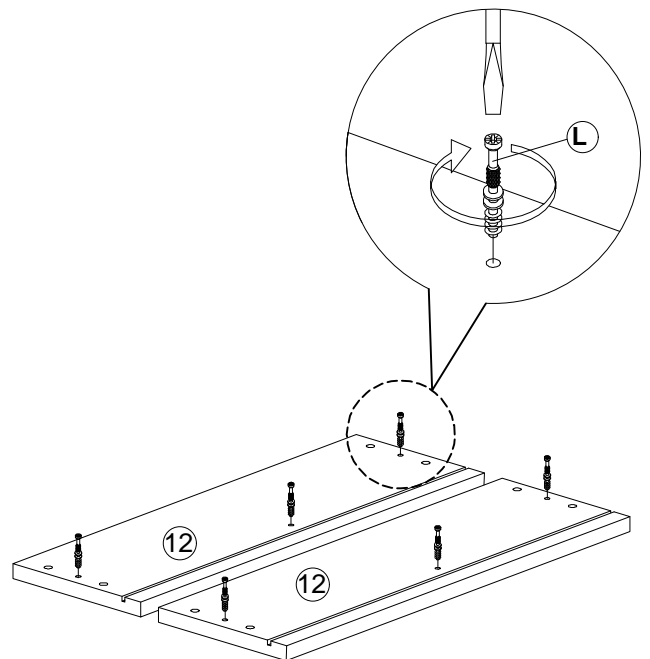
Step 2



Step 3

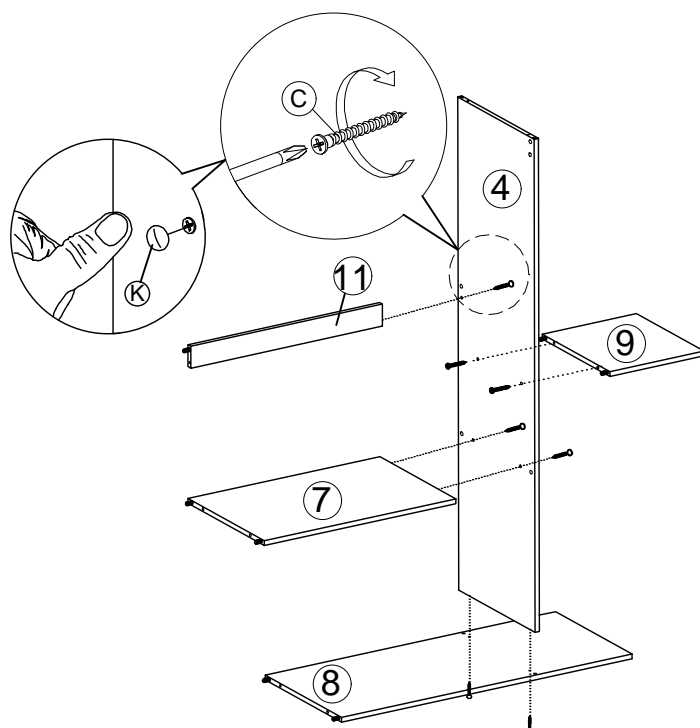


Step 4

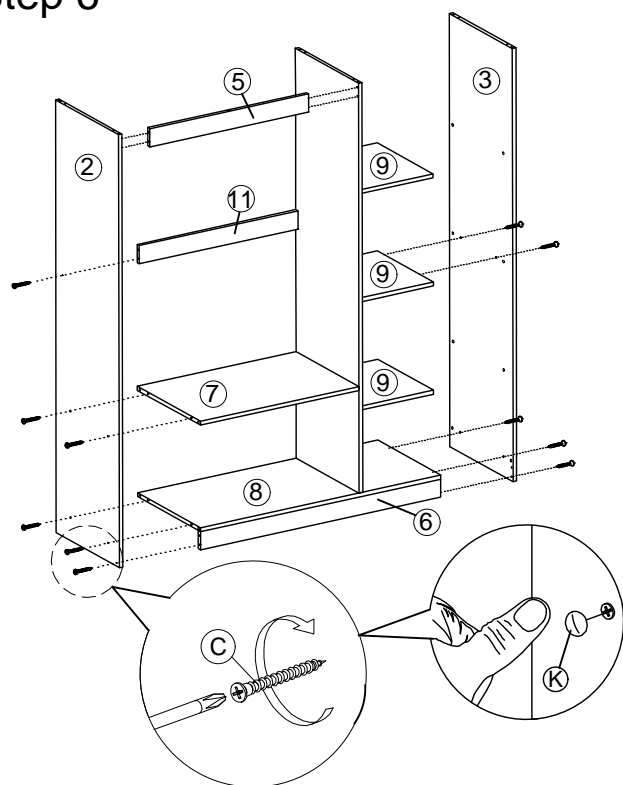


Assembly Instruction

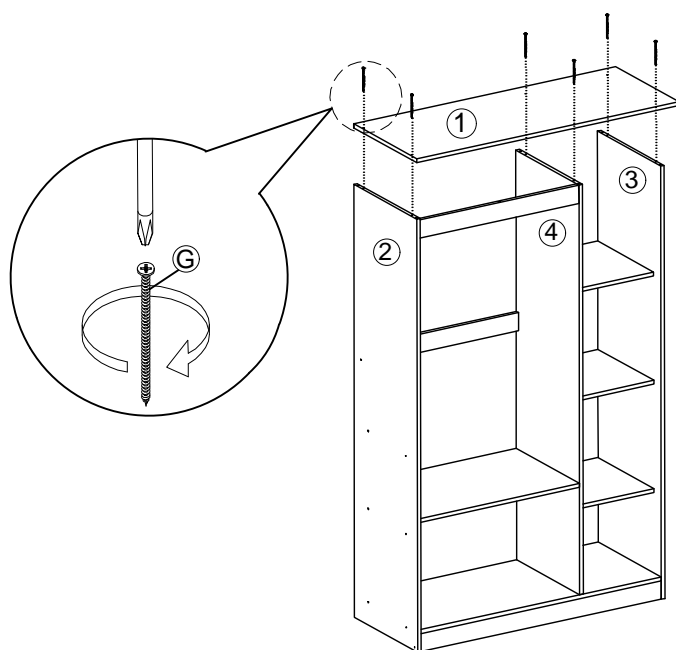
Step 5



Step 6

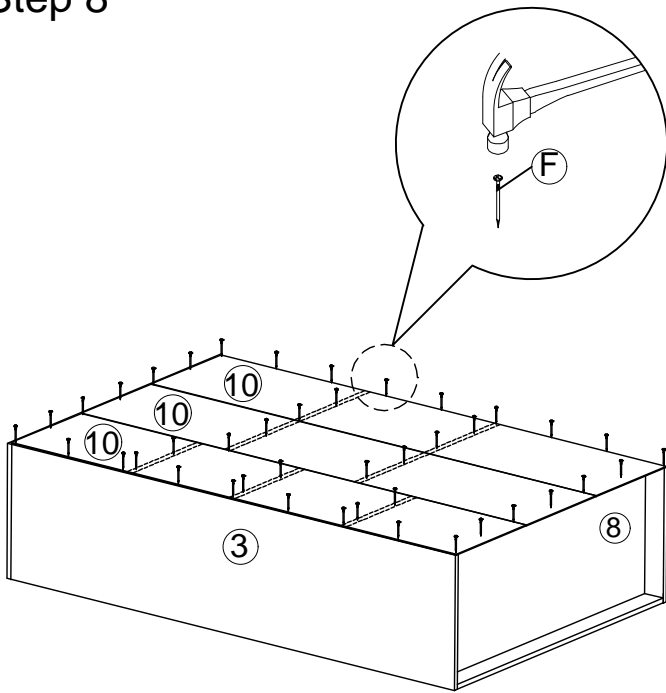


Step 7

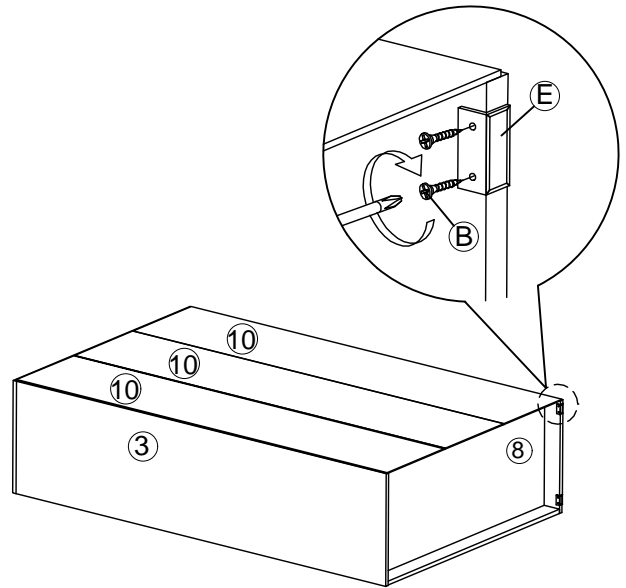


Assembly Instruction

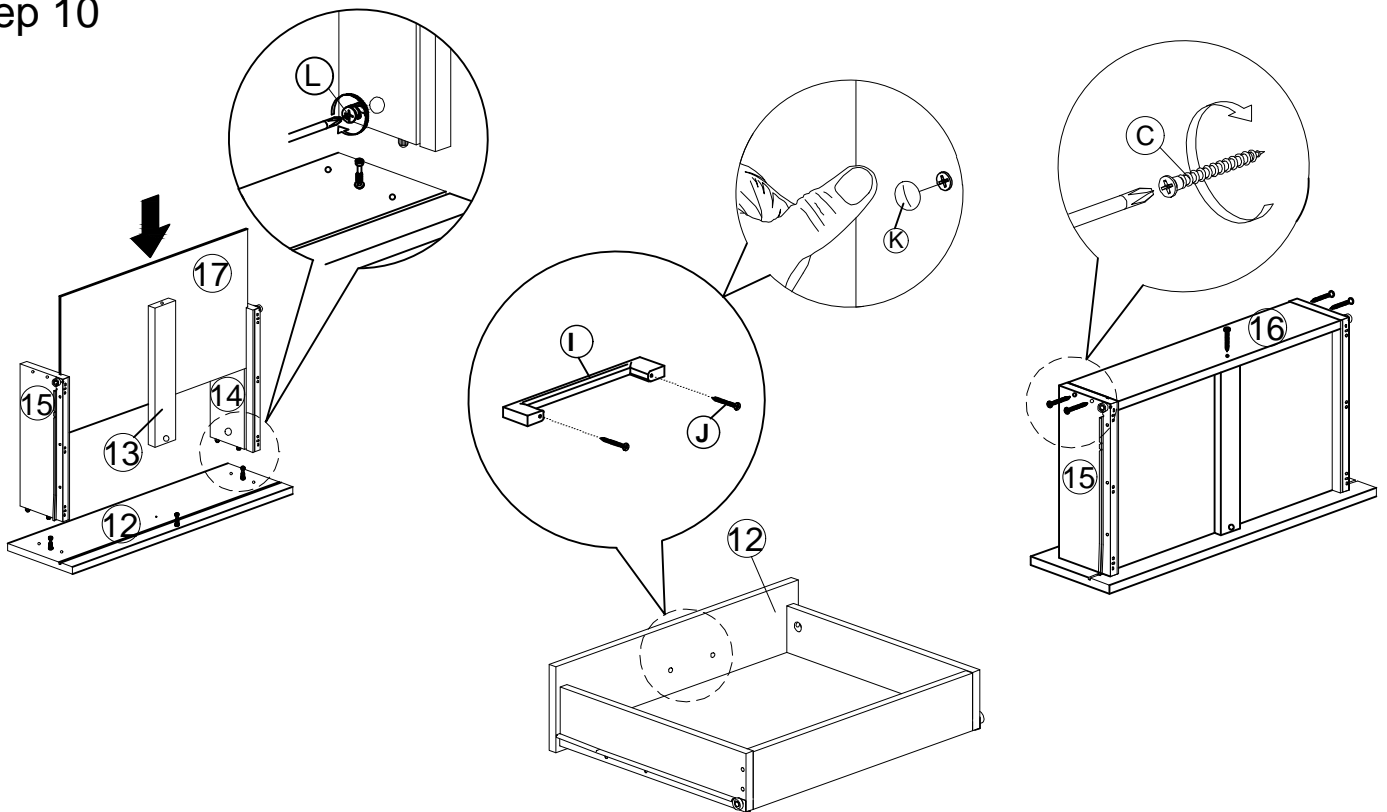
Step 8



Step 9

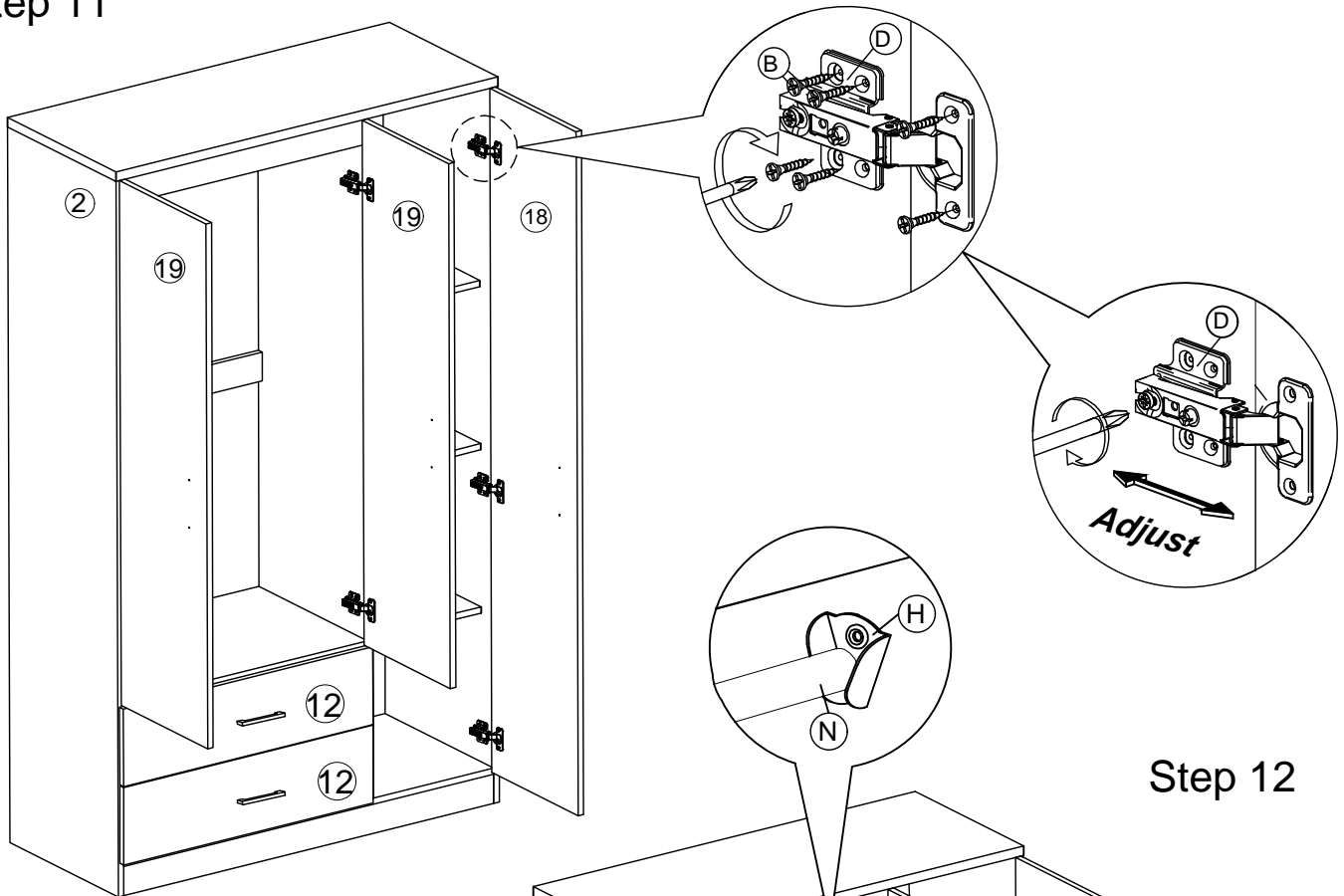


Step 10



Assembly Instruction

Step 11



Step 12

