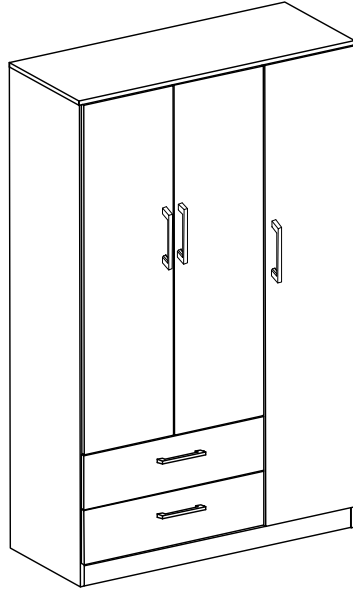


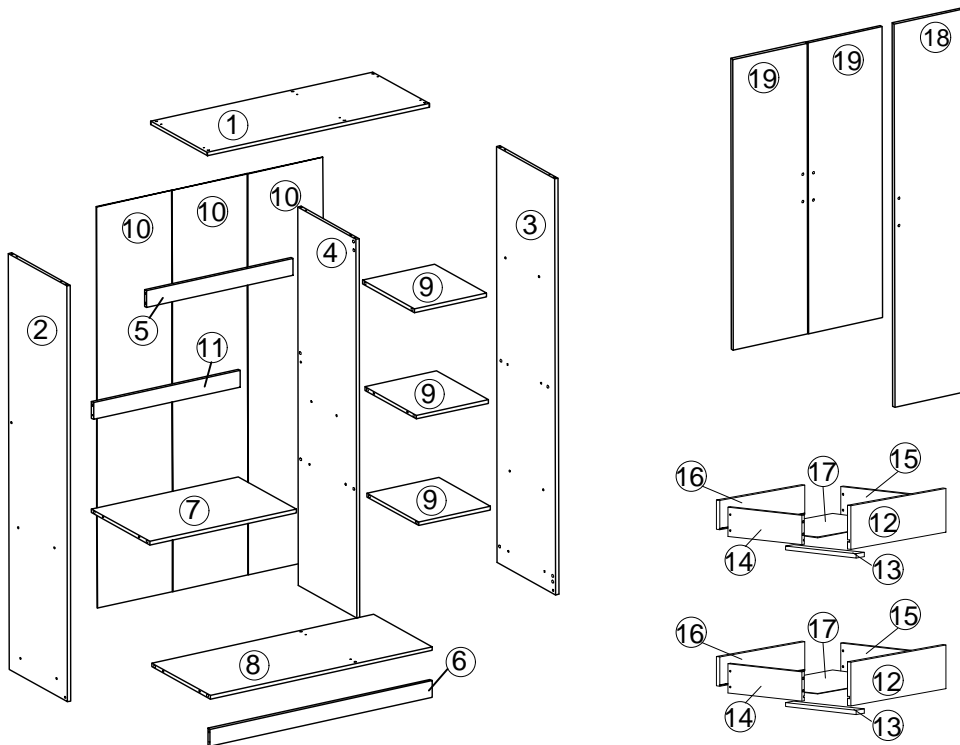
# Assembly Instruction

Model : LEGO 3D + 2 DRAWERS WARDROBE



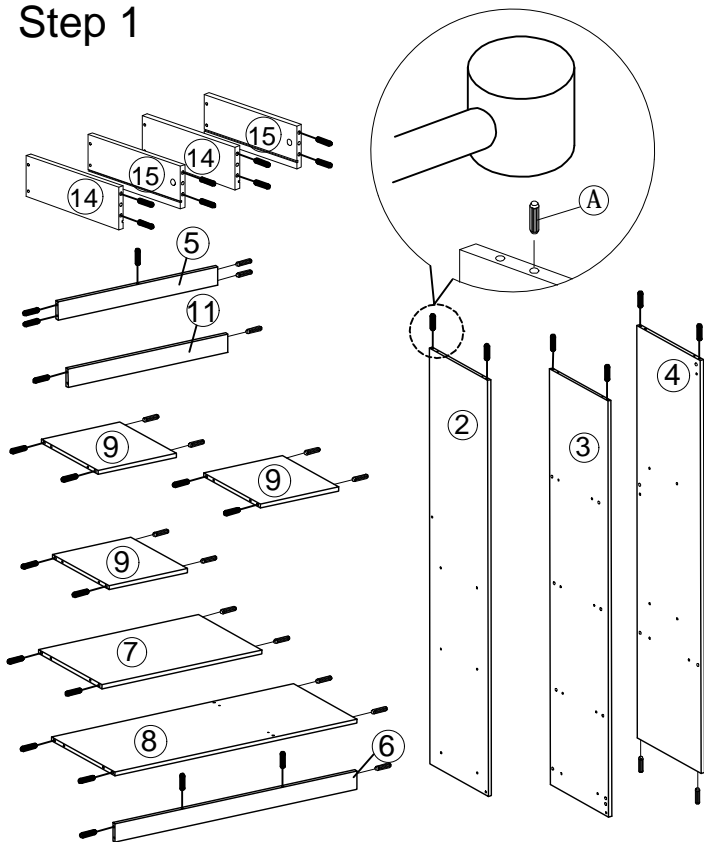
Hardware List			
No.	SHAPE	DESCRIPTION	Qty.
A		8x25mm Dowel	47Pcs
B		M3.5x16mm Screw	68Pcs
C		M4x45mm Screw	28Pcs
D		Hinges	7Pcs
E		Leg L	5Pcs
F		Nail	55Pcs
G		M4x65mm Screw	6Pcs
H		V Bracket	2Pcs
I		Handle (128mm)	5Pcs
J		M4x28mm Screw	10Pcs
K		Stiker	26Pcs
L		15MM Myfix Minifix	6Sets
M		Drawer Slide 16" (400mm)	2Sets
N		Aluminium Pipe (563 mm)	1Sets

## Part List

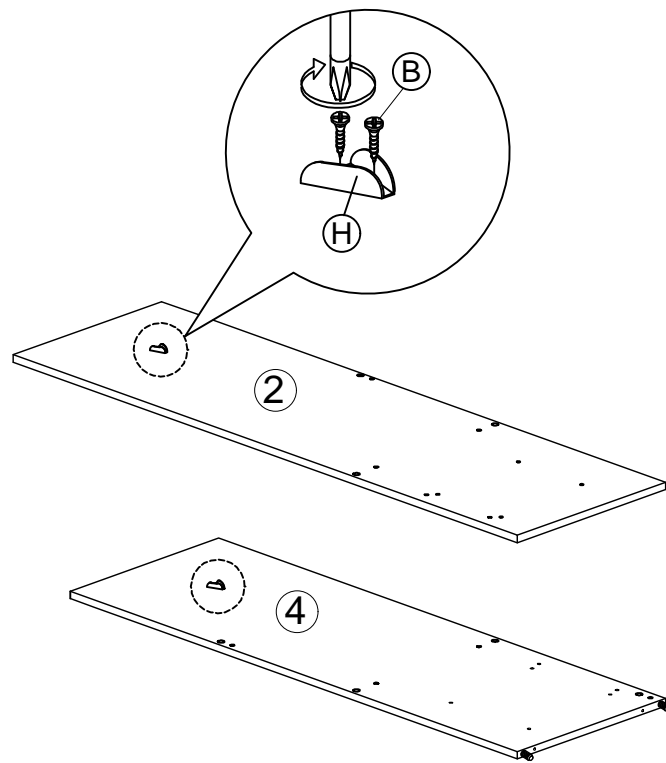


# Assembly Instruction

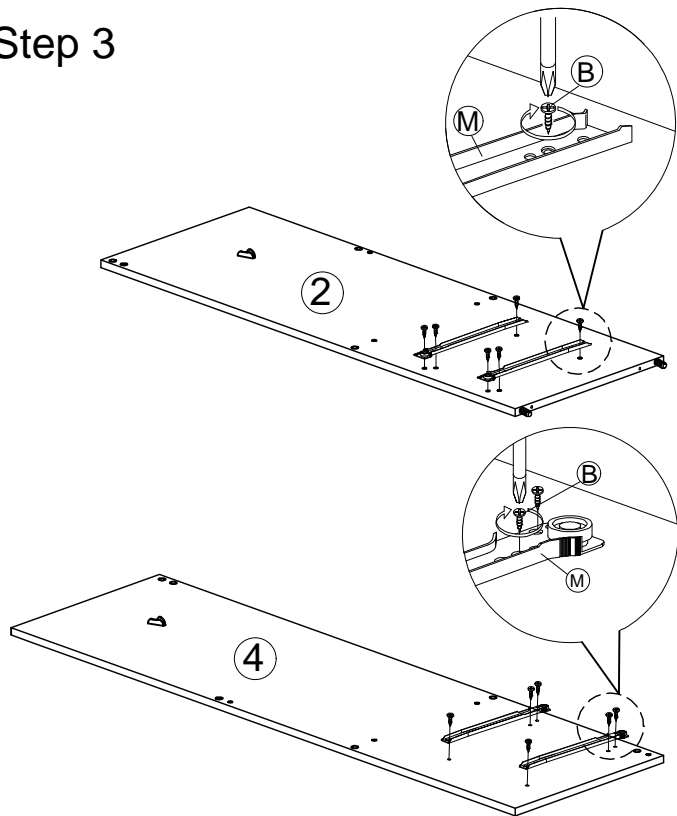
## Step 1



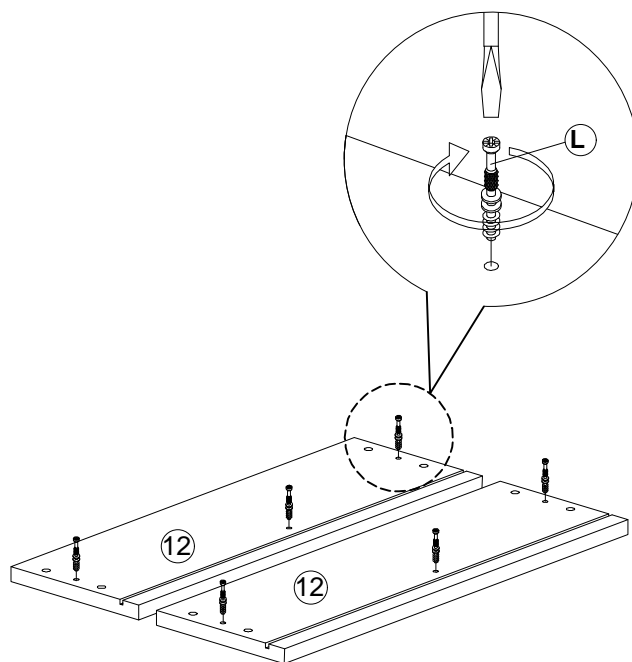
## Step 2



## Step 3

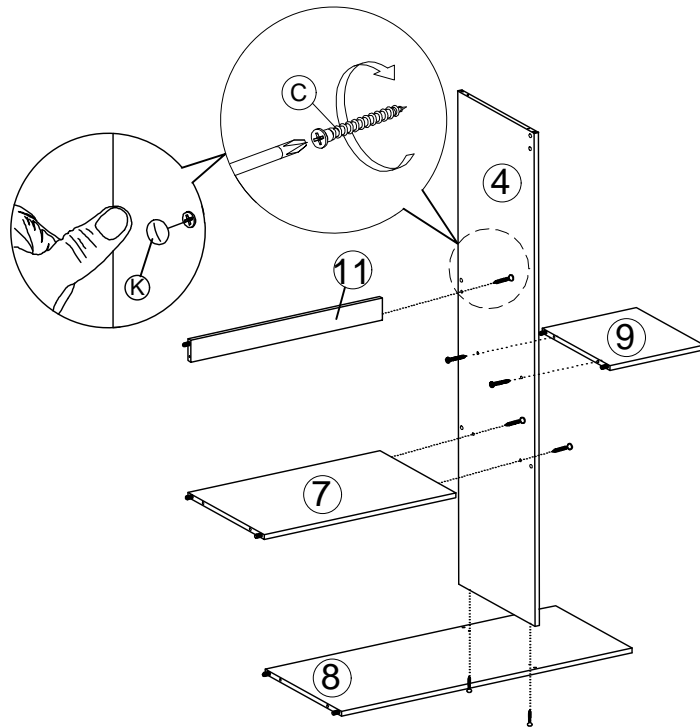


## Step 4

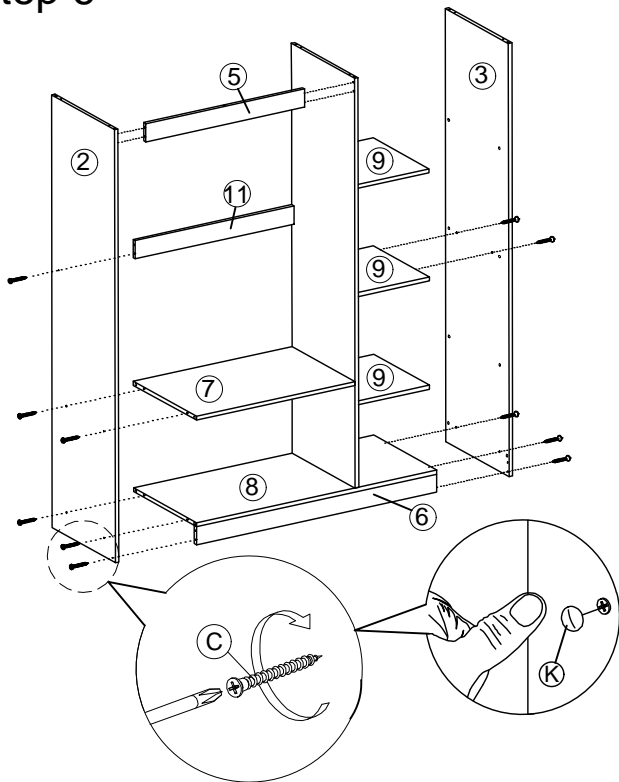


# Assembly Instruction

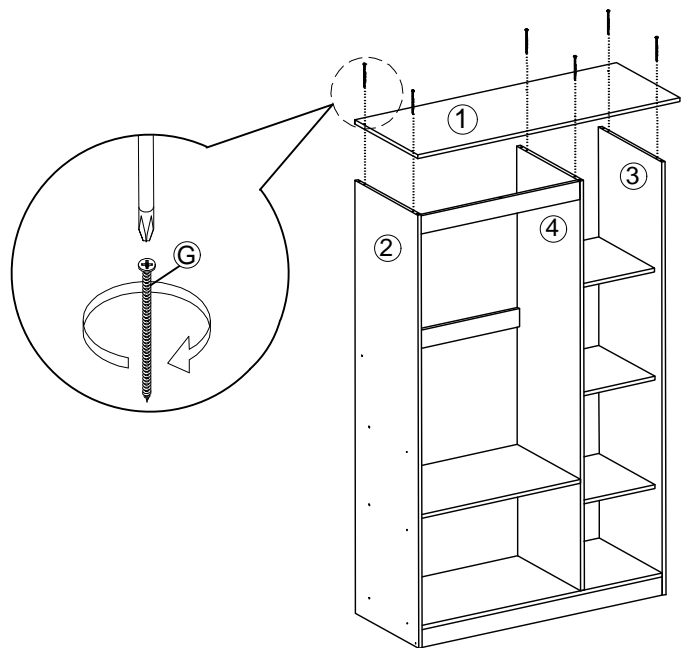
## Step 5



## Step 6

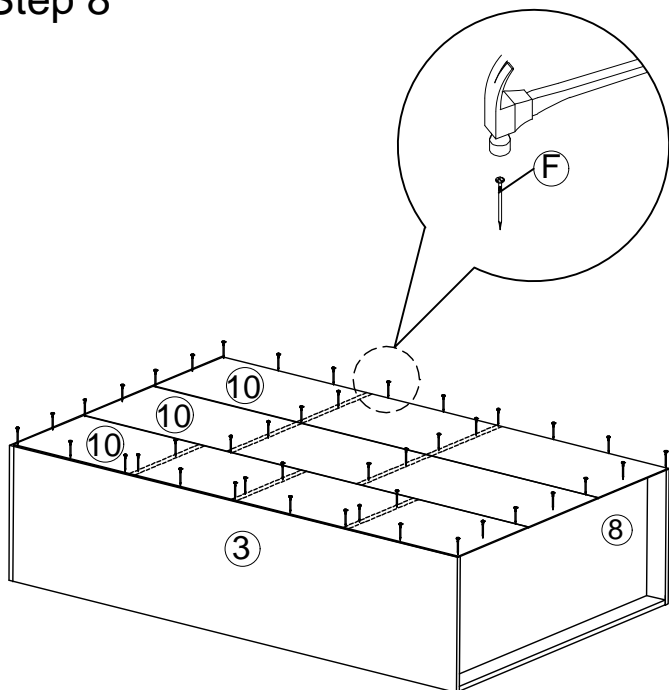


## Step 7

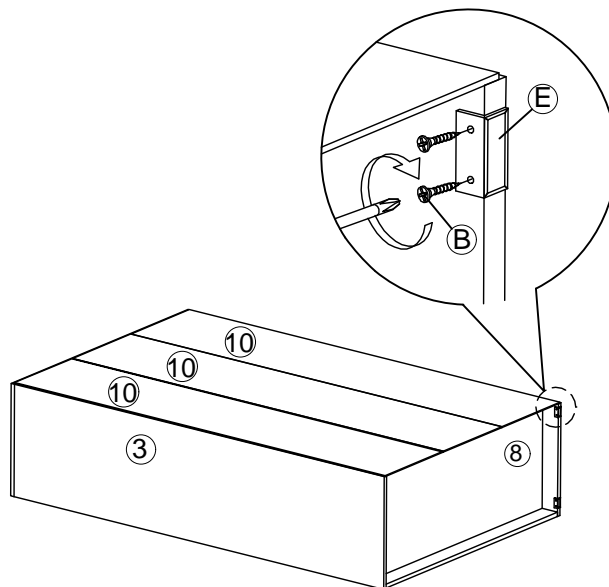


# Assembly Instruction

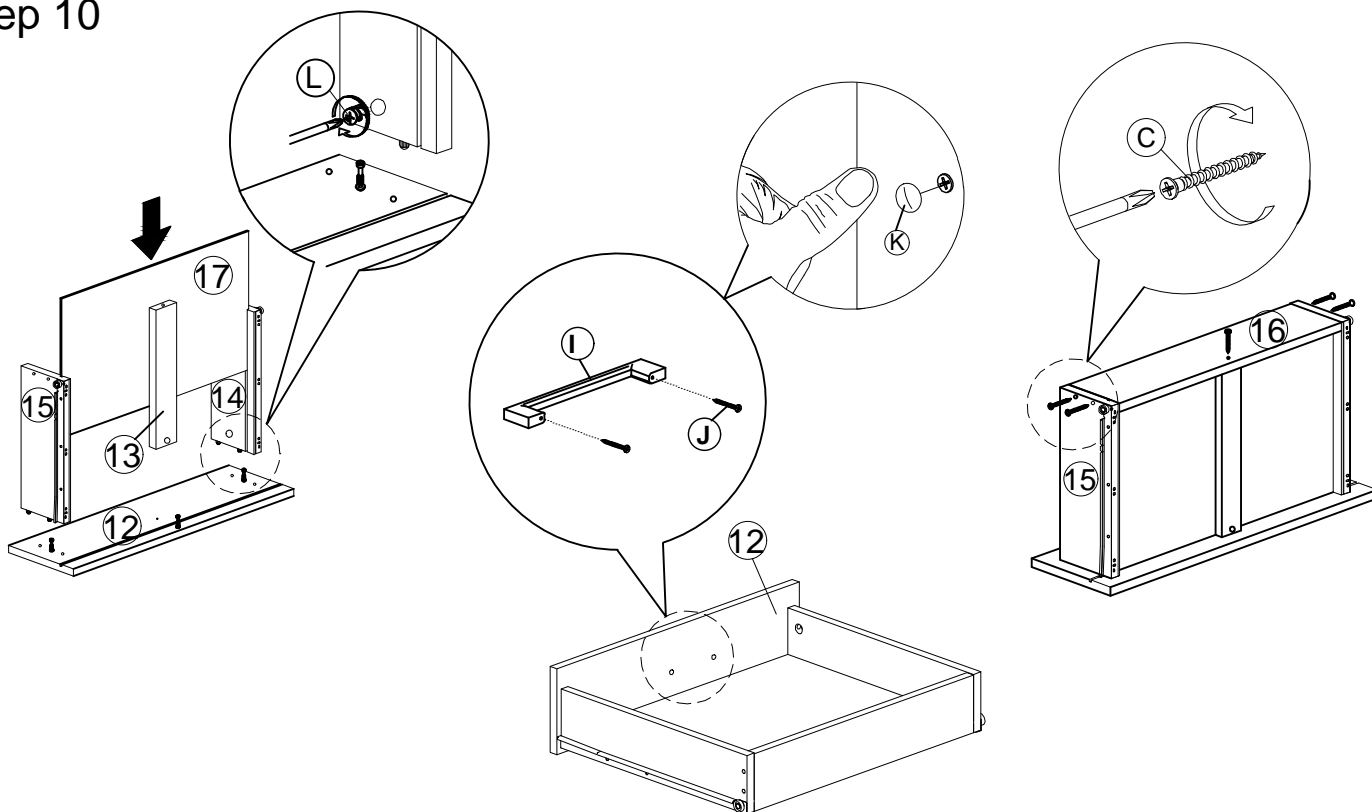
Step 8



Step 9

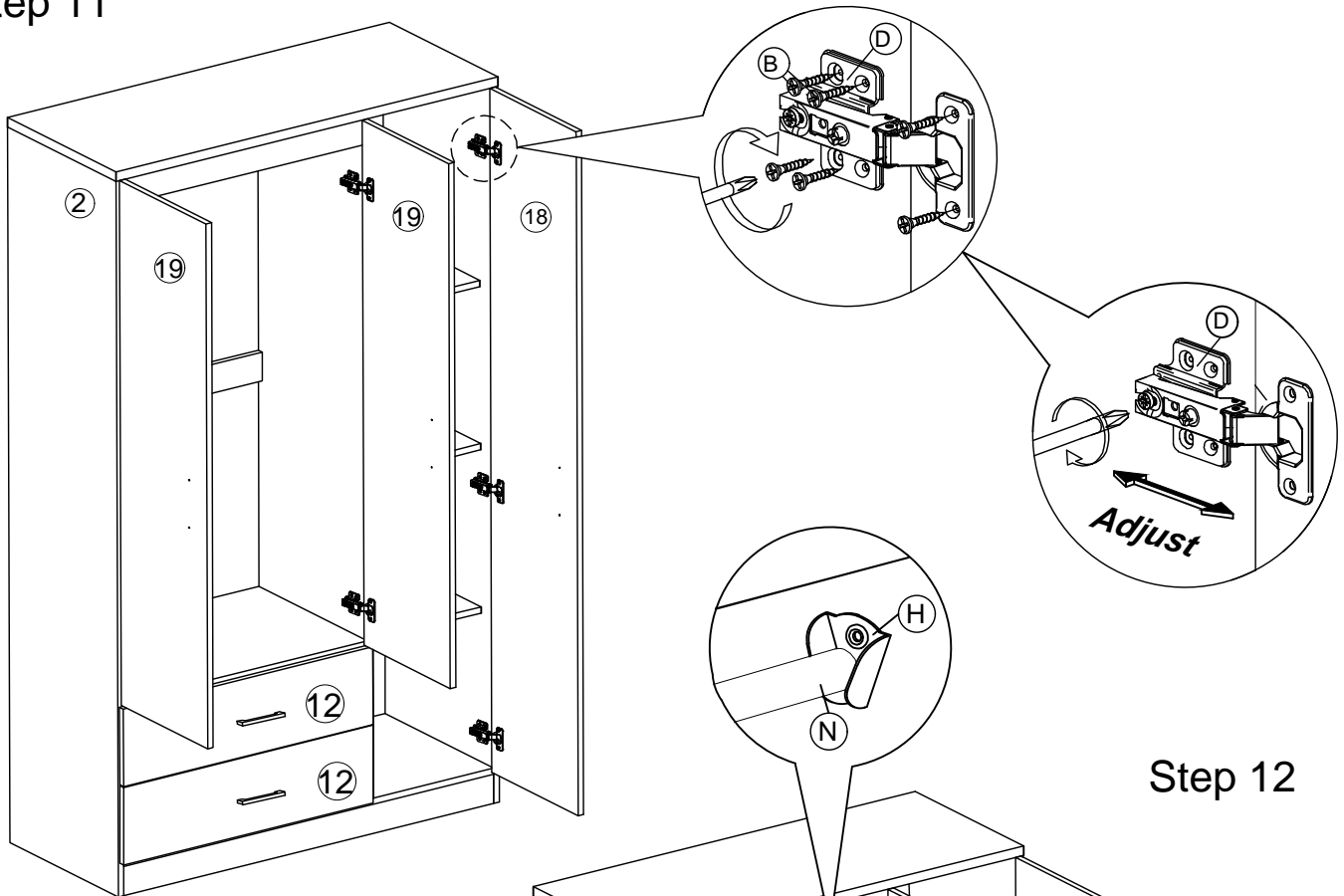


Step 10



# Assembly Instruction

## Step 11



## Step 12

