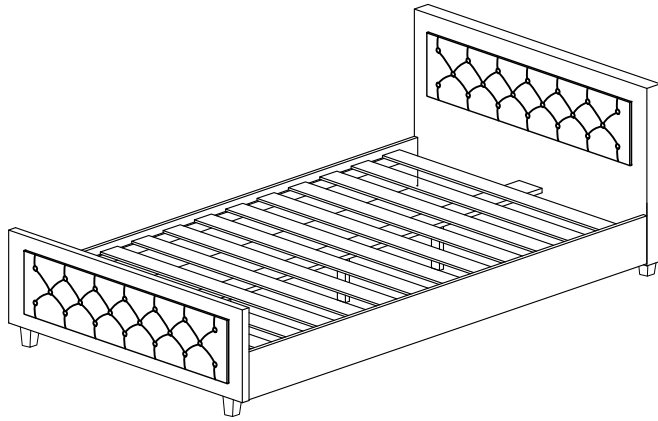


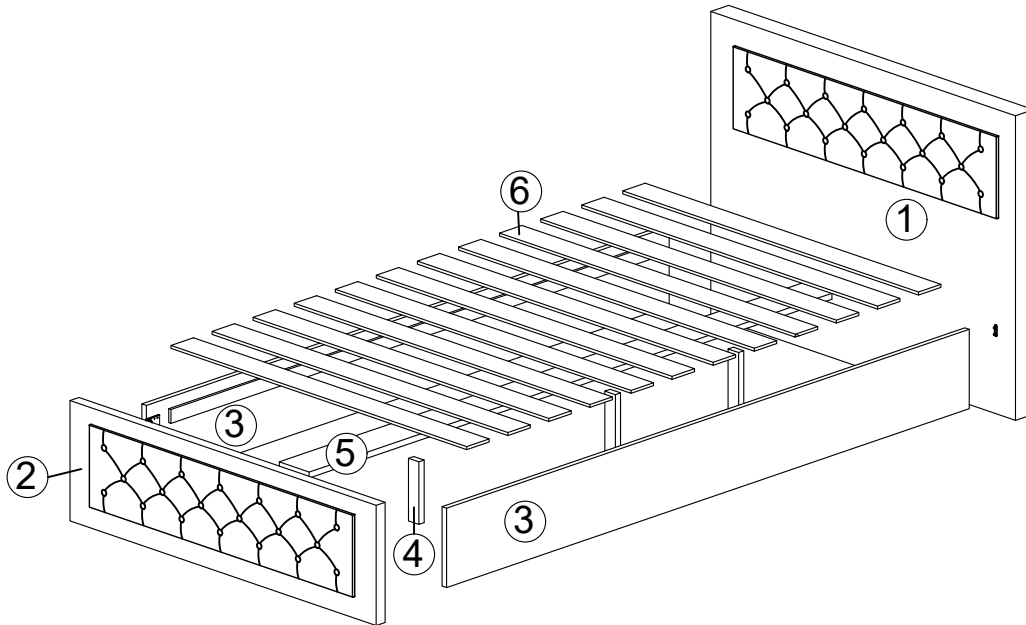
# Assembly Instruction



Hardware List			
No.	SHAPE	DESCRIPTION	Qty.
A		M4x25mm Screw	36Pcs
B		M4x45mm Screw	8Pcs
C		JCBC M6x30mm	3Pcs
D		JCBB M8x20mm	8Pcs
E		L Key M4	1Pcs
F		L Key M5	1Pcs
G		Plastic Leg (3.5")	4Pcs

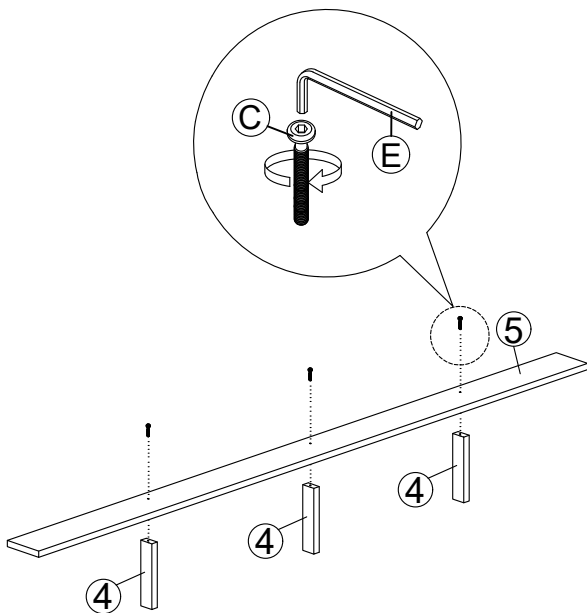
Part List		
No.	Part Name	Qty.
1	Head Board	1Pcs
2	Foot Board	1Pcs
3	Side Rail	2Pcs
4	Center Leg Support	3Pcs
5	Center Slats	1Pcs
6	LVL Slats	12Pcs

## Part List

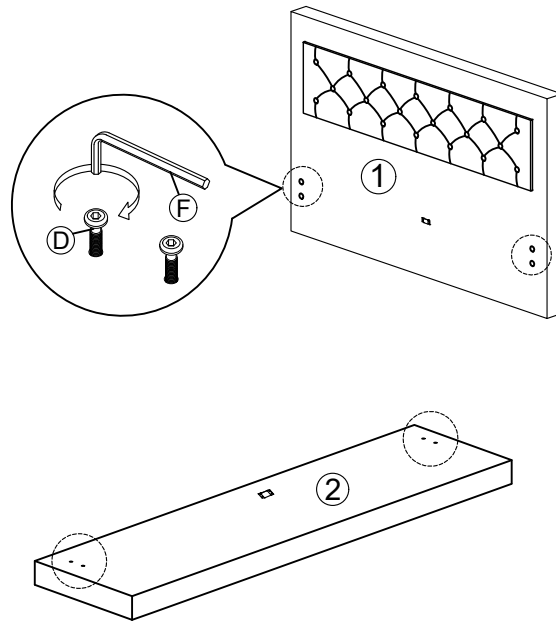


# Assembly Instruction

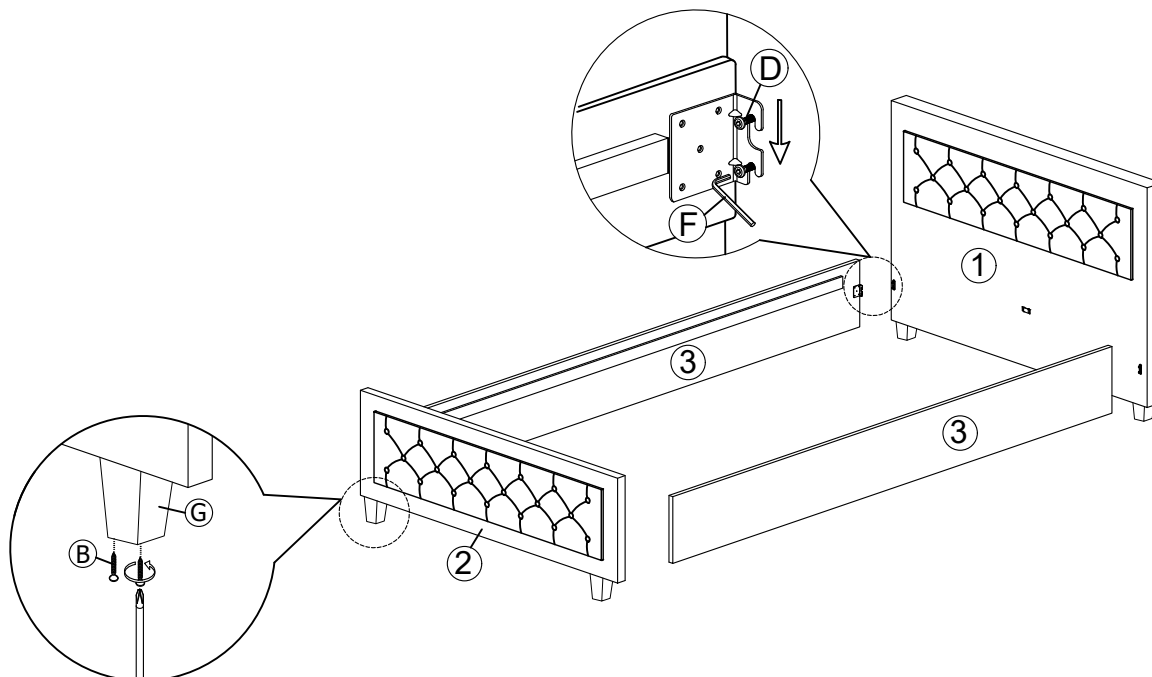
## Step 1



## Step 2

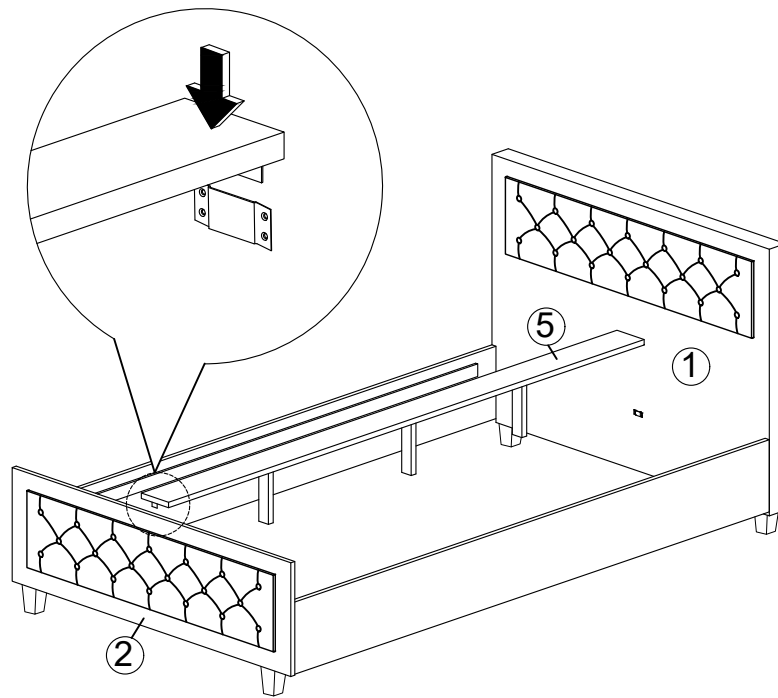


## Step 3



# Assembly Instruction

## Step 4



## Step 5

