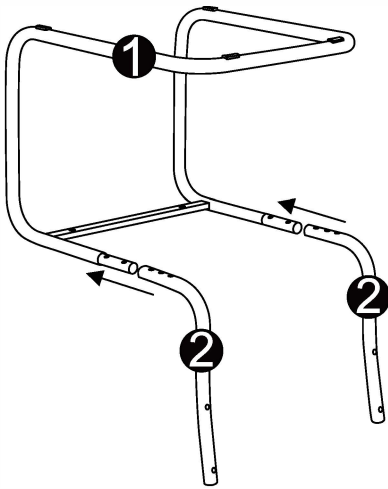
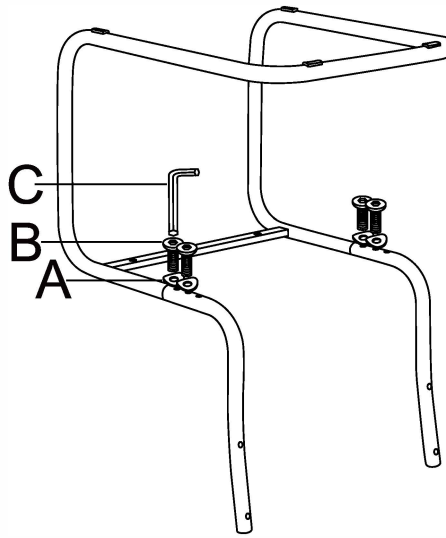


ASSEMBLY INSTRUCTION

STEP:1



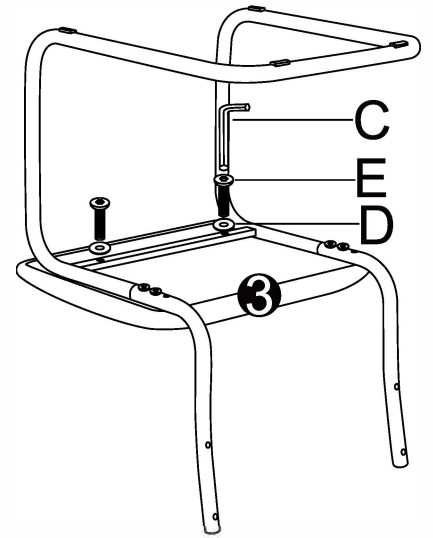
STEP:2



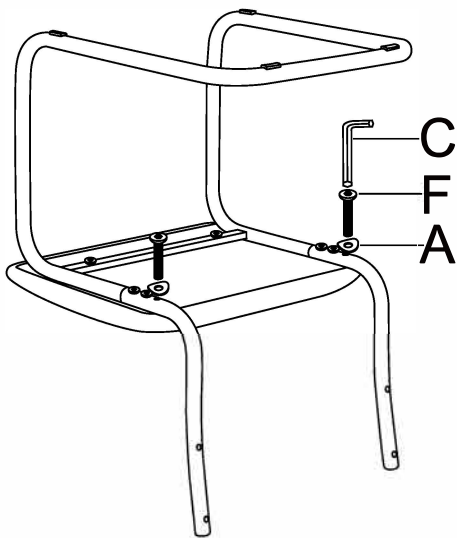
STEP:3

world
pako

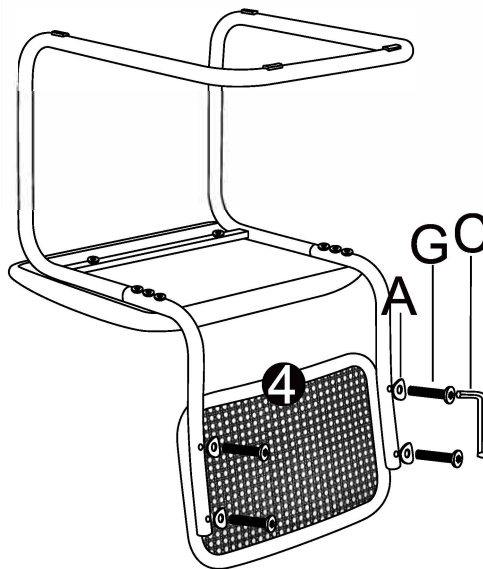
058-000056



STEP:4



STEP:5



STEP:6

