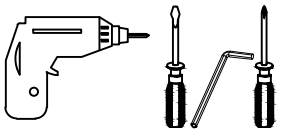
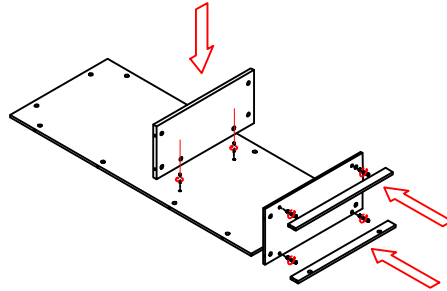


Tools

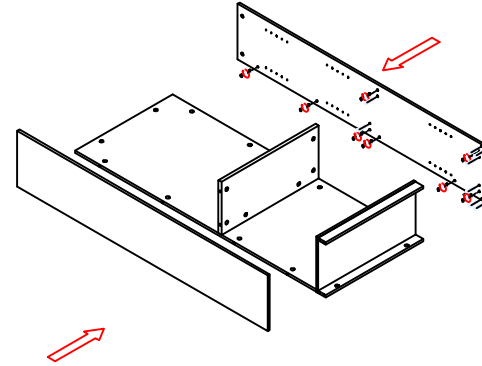


### Connecting Parts

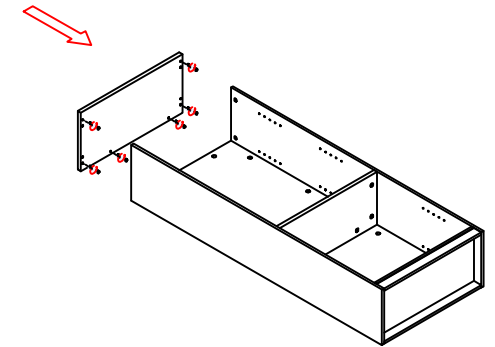
A		30	G		20
B		16	H		12
C		2	J		
D		1	K		
E		1	L		
F		4	M		



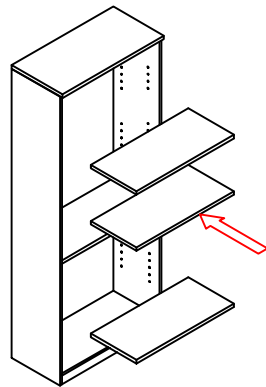
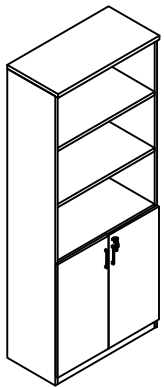
1



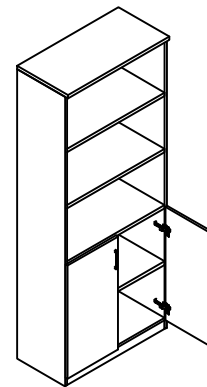
2



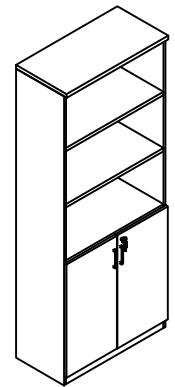
3



4



5



6