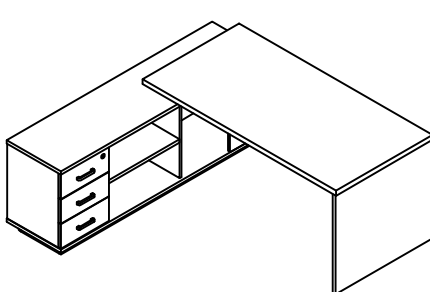
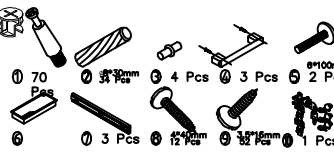
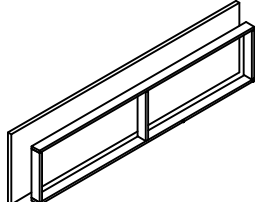
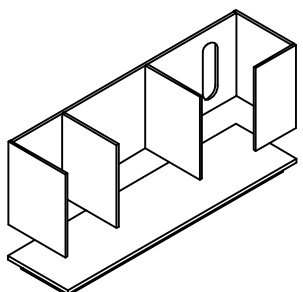
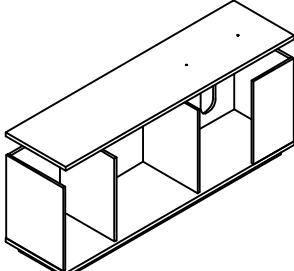
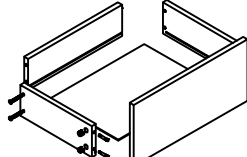
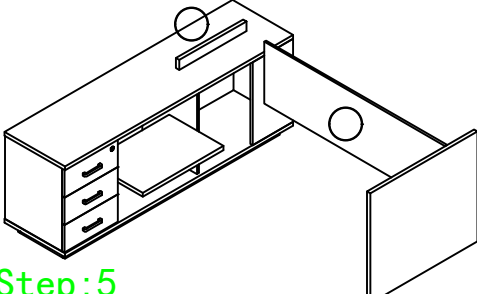
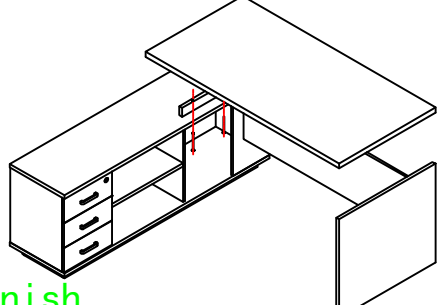
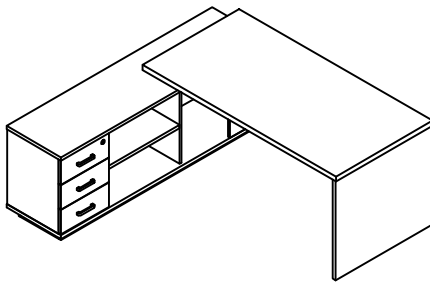
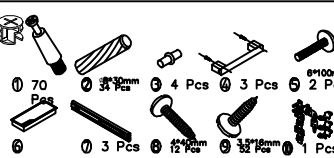
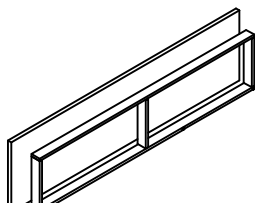
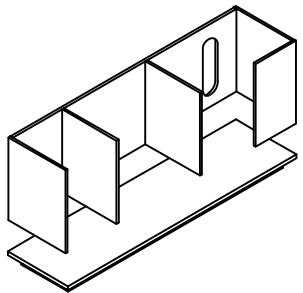
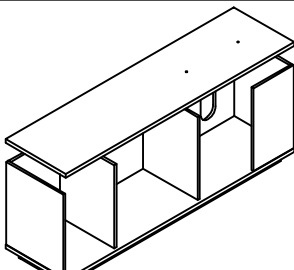
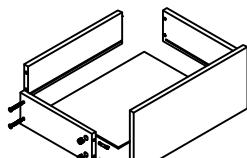
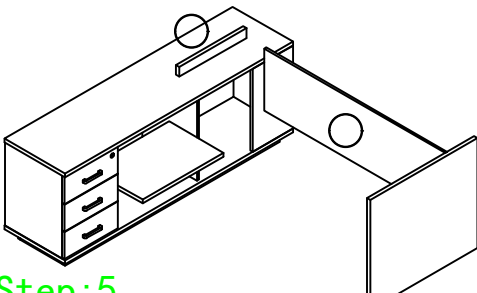
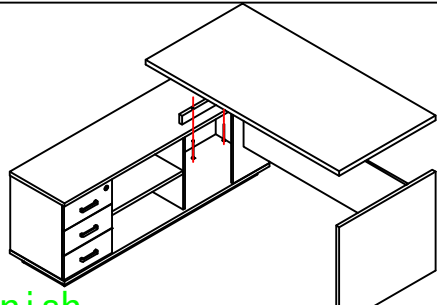


Assembly Drawing

Tools	Connecting Parts		
		 <p>Step:1</p>	 <p>Step:2</p>
		 <p>Step:3</p>	 <p>Step:4</p>
		 <p>Step:5</p>	 <p>Finish</p>

Assembly Drawing

Tools	Connecting Parts		
		 <p>Step:1</p>	 <p>Step:2</p>
		 <p>Step:3</p>	 <p>Step:4</p>
		 <p>Step:5</p>	 <p>Finish</p>