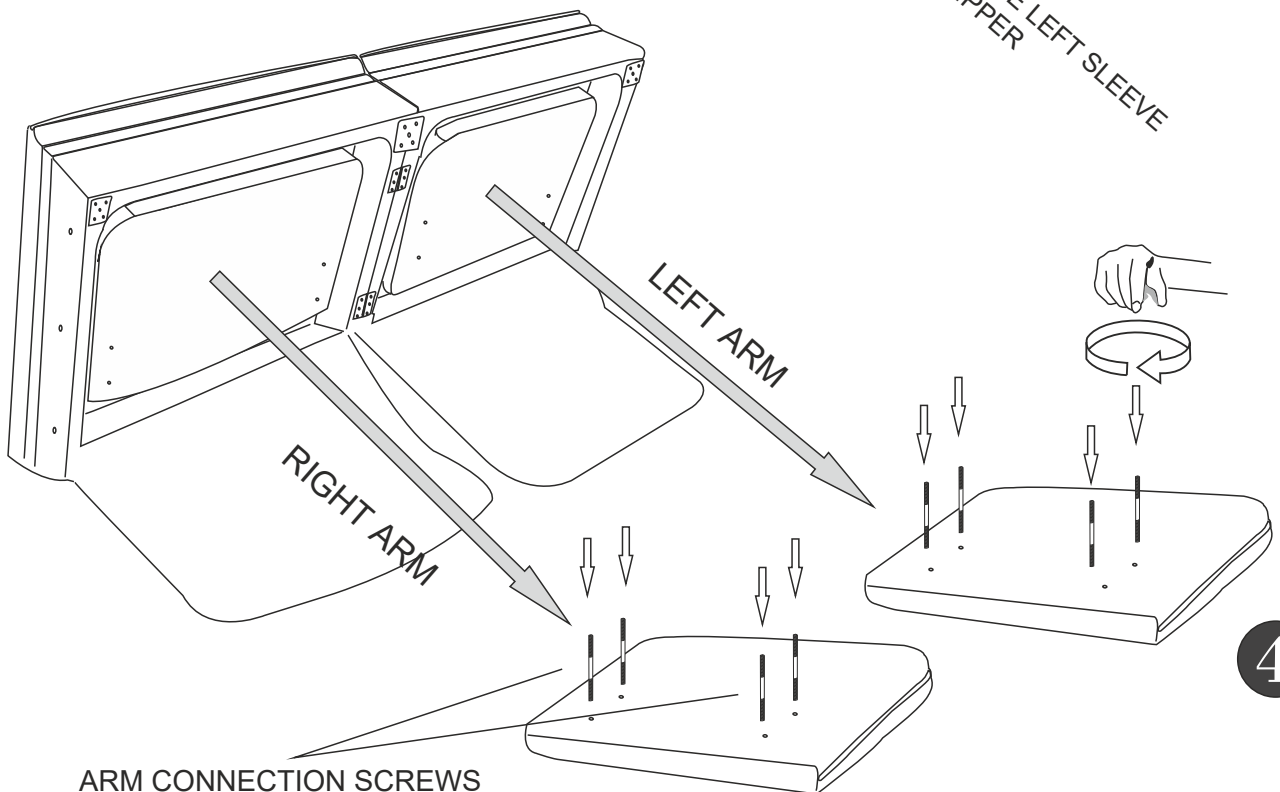
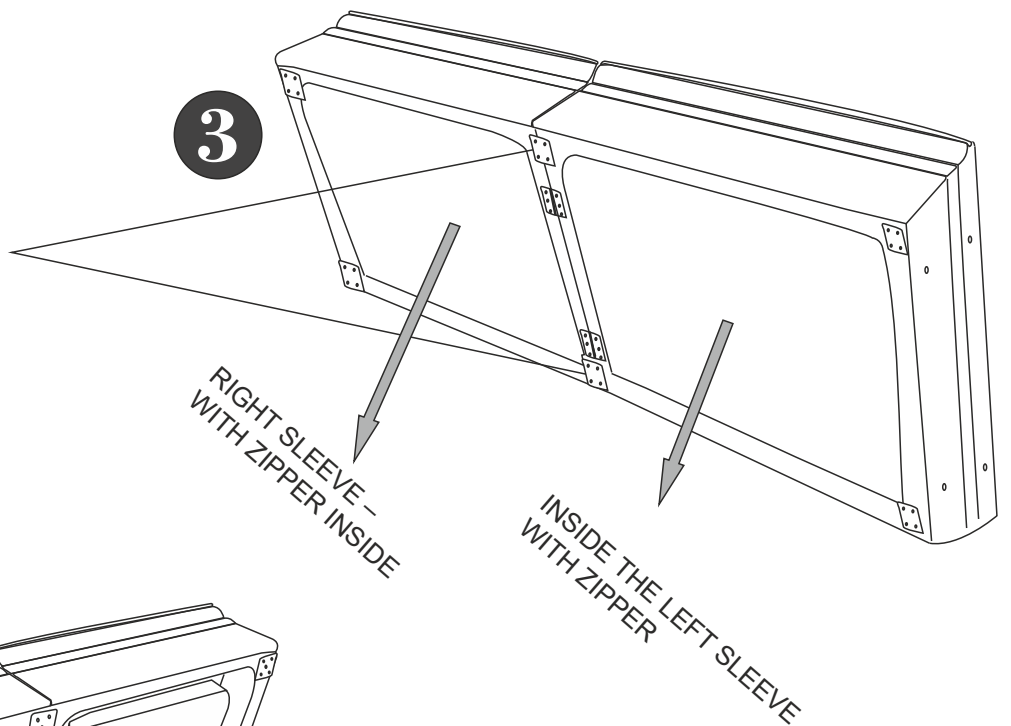
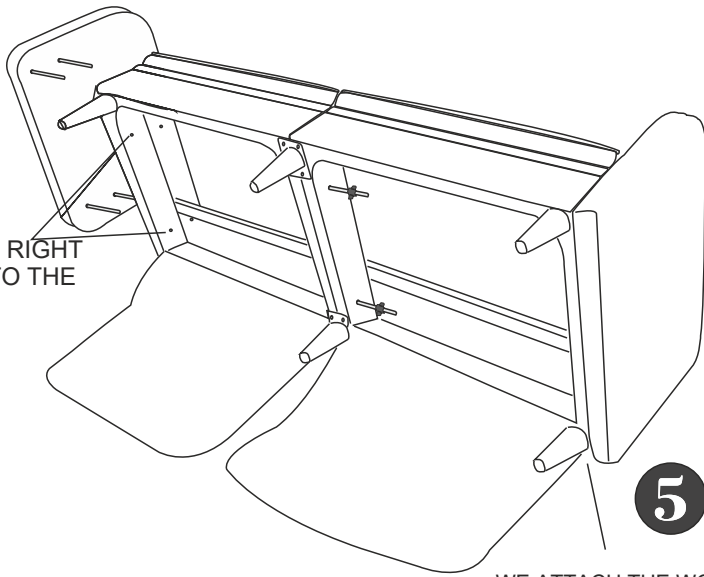


FIT THE MIDDLE  
FOOT BRACKETS



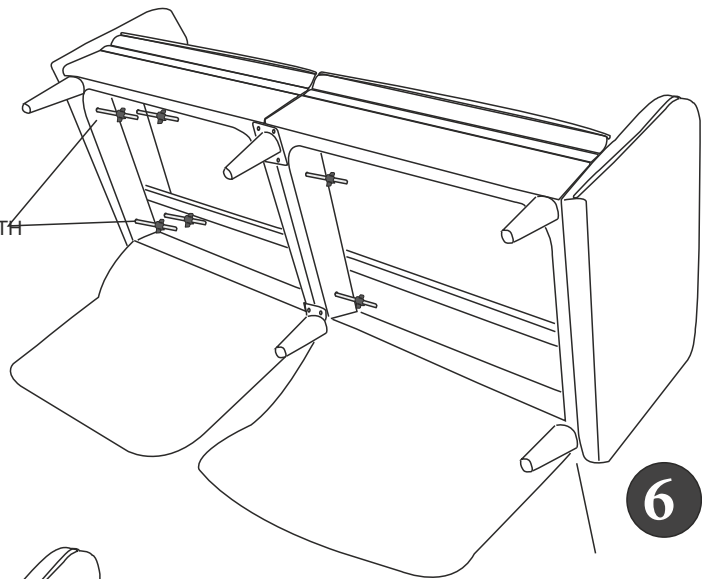
ARM CONNECTION SCREWS  
INSTALL IT BY TURNING THE RIGHT  
AND LEFT ARM

WE ATTACH THE RIGHT AND LEFT ARM TO THE PLACES.



WE ATTACH THE WOODEN FEET BY TURNING.

WE FIX THE ARM WITH BUTTERFLY BOLT.



WE TURN THE WOODEN FEET INTO THEIR SOCKETS



FINALLY, WE CLOSE THE ZIPPERS

