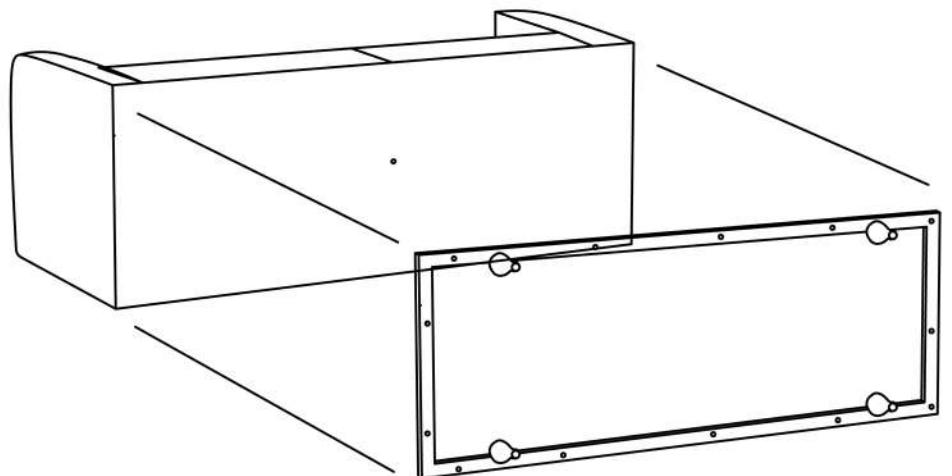
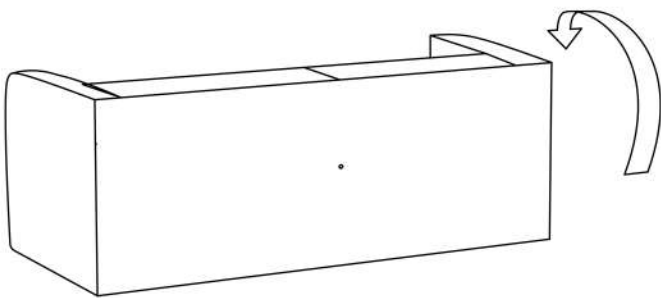


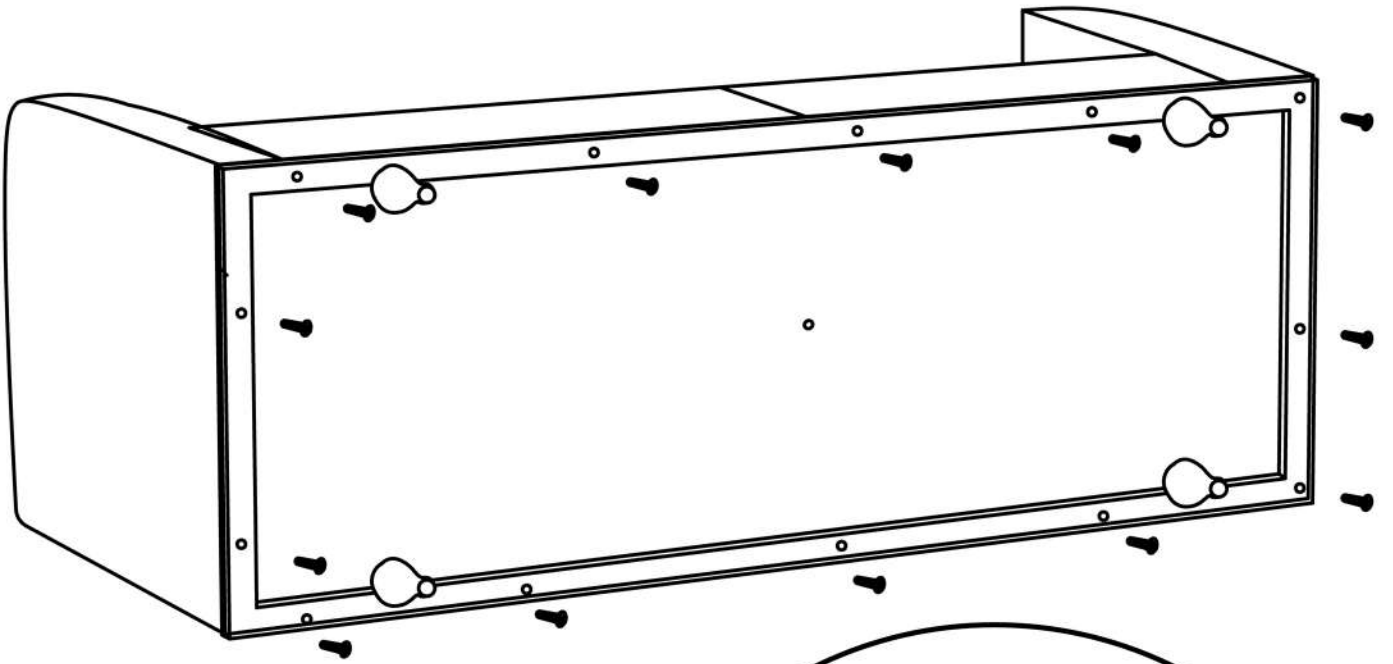
sofa includes one frame legs and one middle leg.

STEP 1

please recline the sofa

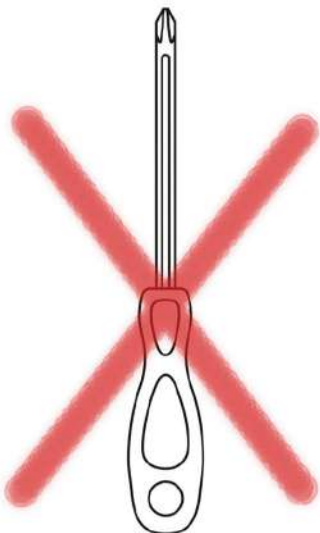


STEP 2



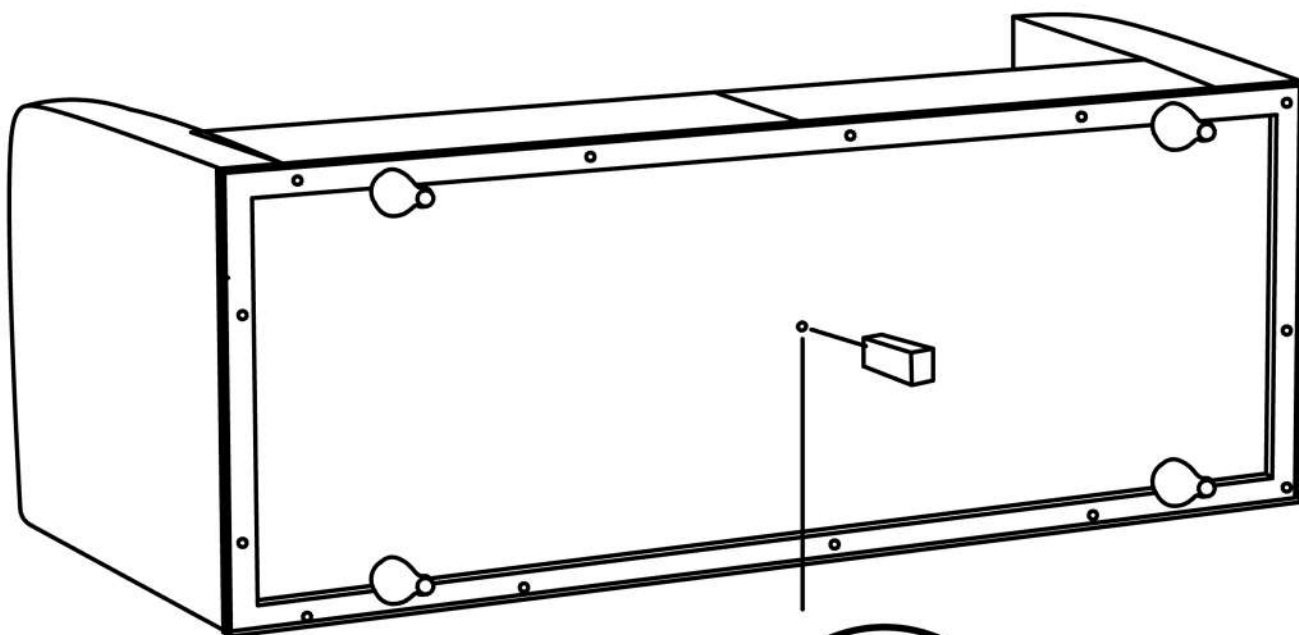
fillister head screw

please use a drill
for fixing the legs

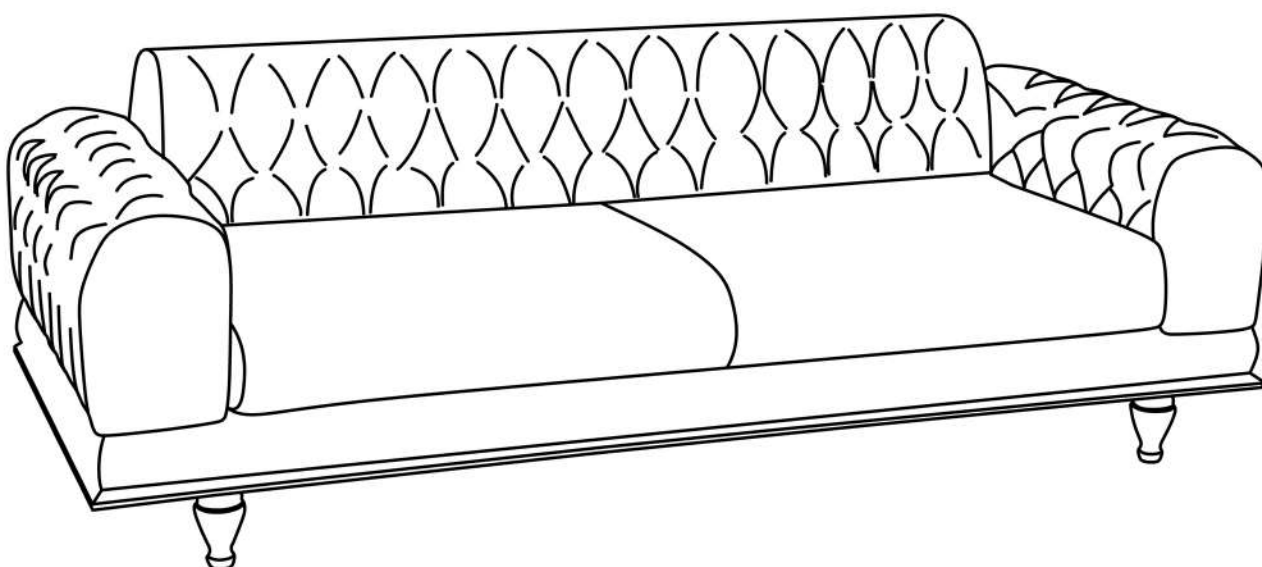


please don't use screwdriver

STEP 3



please find the fixing hole underneath,
place the wooden leg and turn right



have a nice seating