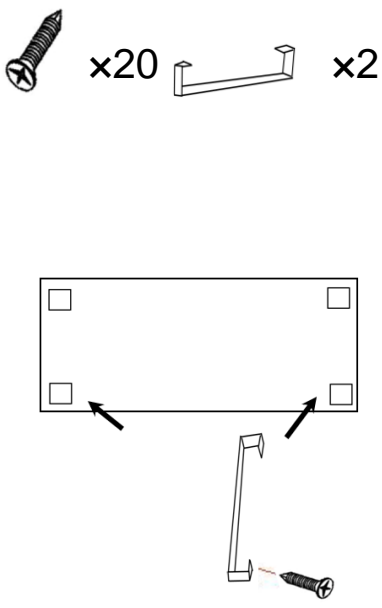
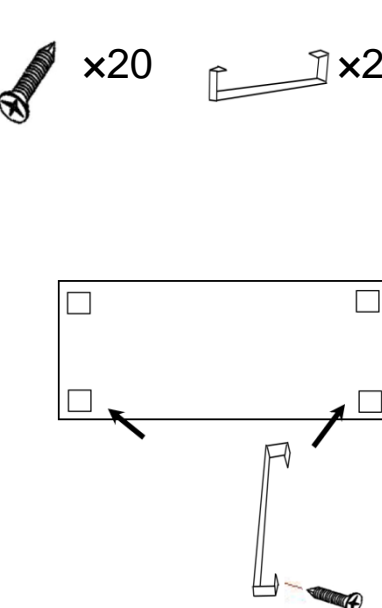
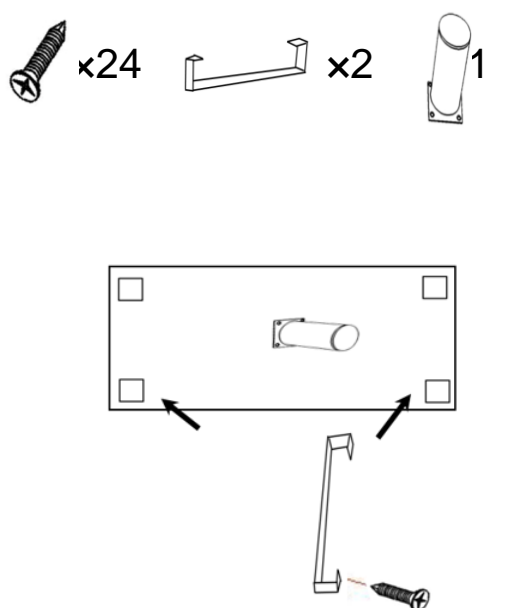


# #1218 (3+2+1) ASSEMBLY INSTRUCTION

1 seater	2 seater	3 seater
 <p>screw x20   bracket x2</p>	 <p>screw x20   bracket x2</p>	 <p>screw x24   bracket x2   leg 1</p>

