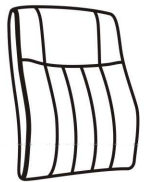


①

Ax1



Fx1



Bx1



Gx5



Hx4



M6x20mm

Cx2

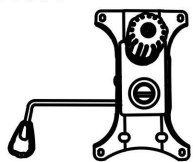


Ix8



M8x25mm

Dx1



Jx8



Kx1



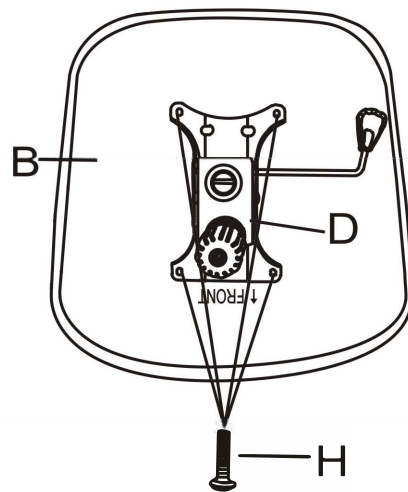
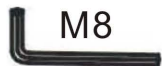
Ex1



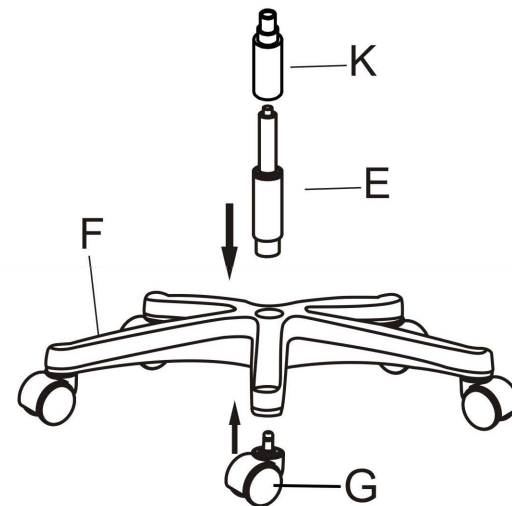
Lx1



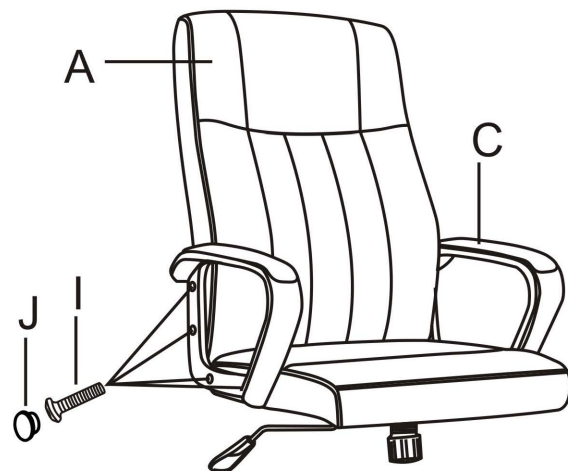
Mx1



②



③



④

