
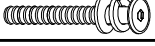
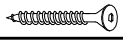
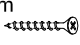



ASSEMBLY INSTRUCTIONS

MODEL : 097-000012

IMPORTANT NOTE : * PLACE ALL WOODEN PARTS ON A CLEAN AND SMOOTH SURFACE SUCH AS A RUG OR CARPET TO AVOID THE PARTS FROM BEING SCRATCHED.
 * BEFORE YOU BEGIN, KINDLY FOLLOW THE ASSEMBLY INSTRUCTIONS STEP BY STEP.
 * DO NOT TIGHTEN ALL SCREWS UNTIL THE CHAIR IS FULLY SET-UP.

HARDWARE LIST		PART LIST		
A	JCBC M6 x 25mm + S/W M6 + F/W M6 x 13mm 	4PCS	1 X LEG UP	1PC
			2 X LEG DOWN	1PC
B	JCBC M6 x 55mm + S/W M6 + F/W M6 x 13mm 	4PCS	3 TOP REST	1PC
			4 CUSHION SEAT	1PC
C	JCBC W SCREW M7 x 40mm 	1PC	5 CORNER BLOCK (LONG)	2PCS
D	FH SCREW #8 x 25mm 	16PCS	6 CORNER BLOCK (SHORT)	2PCS
E	ALLEN KEY M4 	1PC		

CAUTIONS :

(1) DO NOT FULLY-TIGHTEN THE NUT OR NUT BOLTS INITIALLY UNTIL ALL NUTS OR BOLT IS READY ASSEMBLED.

(TO AVOID CAUSING DAMAGES TO THE THREAD, DO NOT OVER-TIGHTEN THE NUTS OR BOLTS.)

(2) KEEP ALL HARDWARE PART OUT OF REACH OF CHILDREN.

