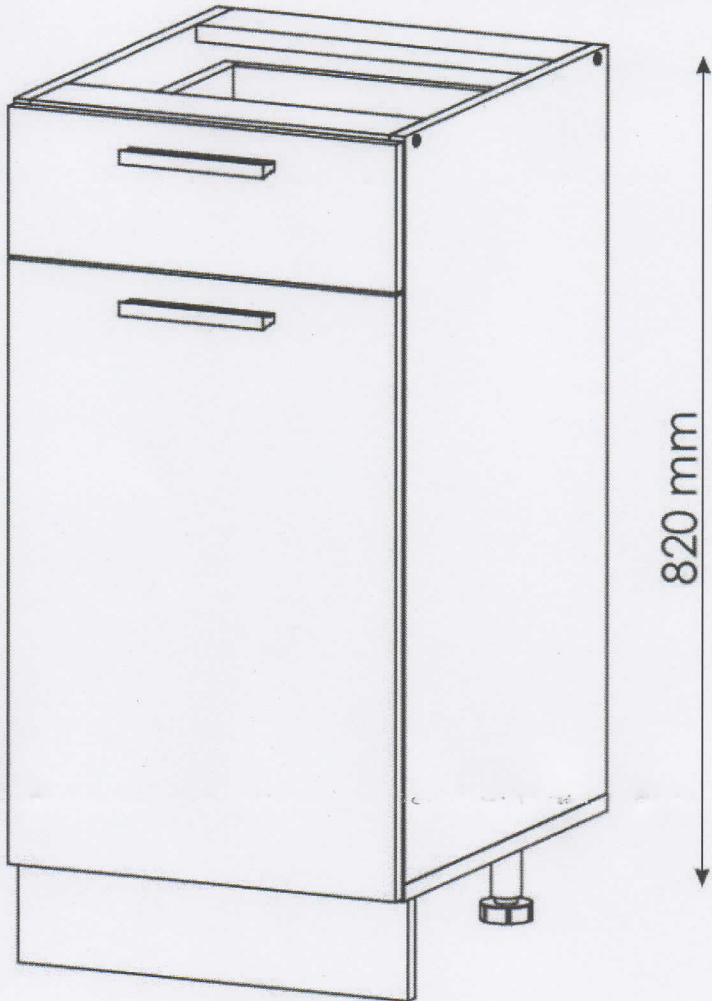
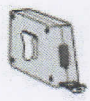
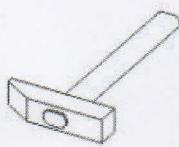
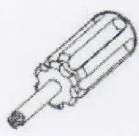
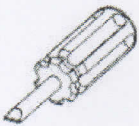
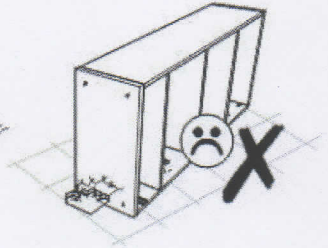
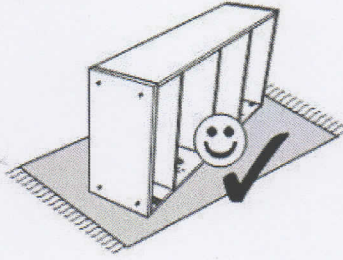
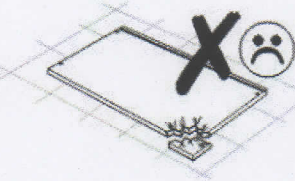
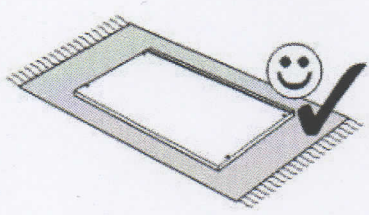


ALINA 300,400,500 lower cabinet



300,400,500 mm 461 mm



ALINA 300,400,500 lower cabinet

300

1	704	445	16	x1	1/1
2	400	445	16	x1	1/1
3	299,5	445	16	x1	1/1
4	400	80	16	x2	1/1
5	209	80	16	x1	1/1
6	267	80	16	x1	1/1
7	267	80	16	x1	1/1
8	267	445	16	x1	1/1
9	296	570	16	x1	1/1
10	296	140	16	x1	1/1
11	299	95	16	x1	1/1
12	715	295	2,8	x1	1/1
13	405	240	2,8	x1	1/1

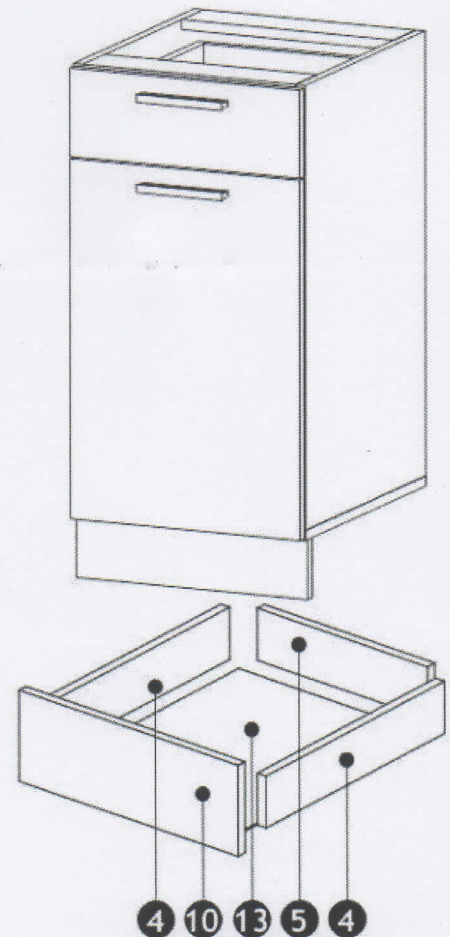
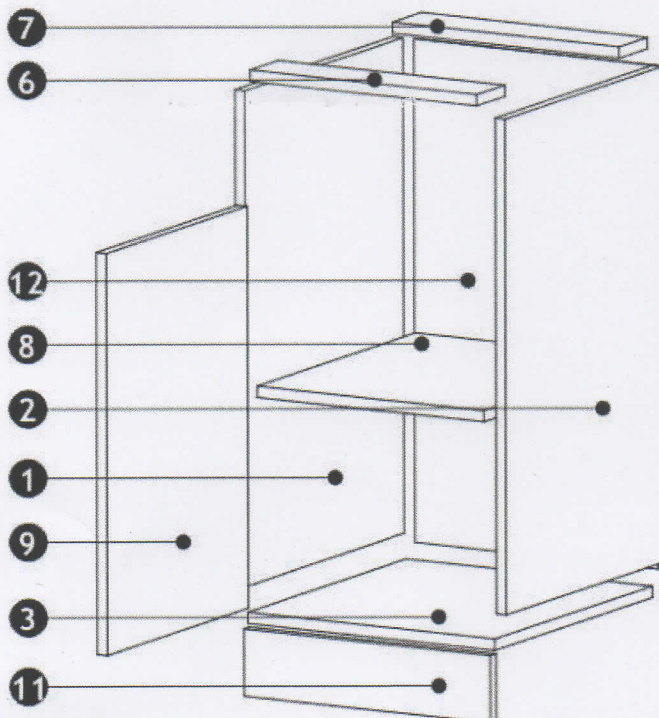
400

1	704	445	16	x1	1/1
2	400	445	16	x1	1/1
3	399,5	445	16	x1	1/1
4	400	80	16	x2	1/1
5	309	80	16	x1	1/1
6	367	80	16	x1	1/1
7	367	80	16	x1	1/1
8	367	445	16	x1	1/1
9	396	570	16	x1	1/1
10	396	140	16	x1	1/1
11	399	95	16	x1	1/1
12	715	395	2,8	x1	1/1
13	405	340	2,8	x1	1/1













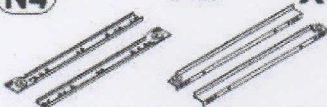


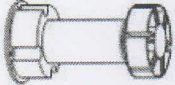

500

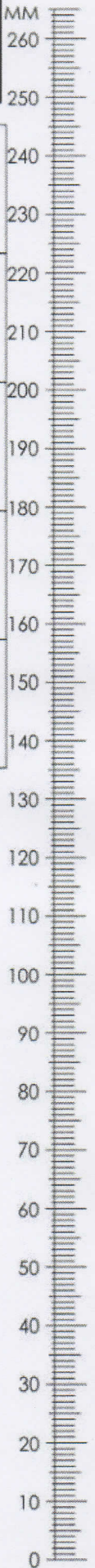
1	704	445	16	x1	1/1
2	400	445	16	x1	1/1
3	499,5	445	16	x1	1/1
4	400	80	16	x2	1/1
5	409	80	16	x1	1/1
6	467	80	16	x1	1/1
7	467	80	16	x1	1/1
8	467	445	16	x1	1/1
9	496	570	16	x1	1/1
10	496	140	16	x1	1/1
11	499	95	16	x1	1/1
12	715	495	2,8	x1	1/1
13	405	440	2,8	x1	1/1

					1/1						1/1						1/1
---	--	--	--	--	-----	---	--	--	--	--	-----	---	--	--	--	--	-----

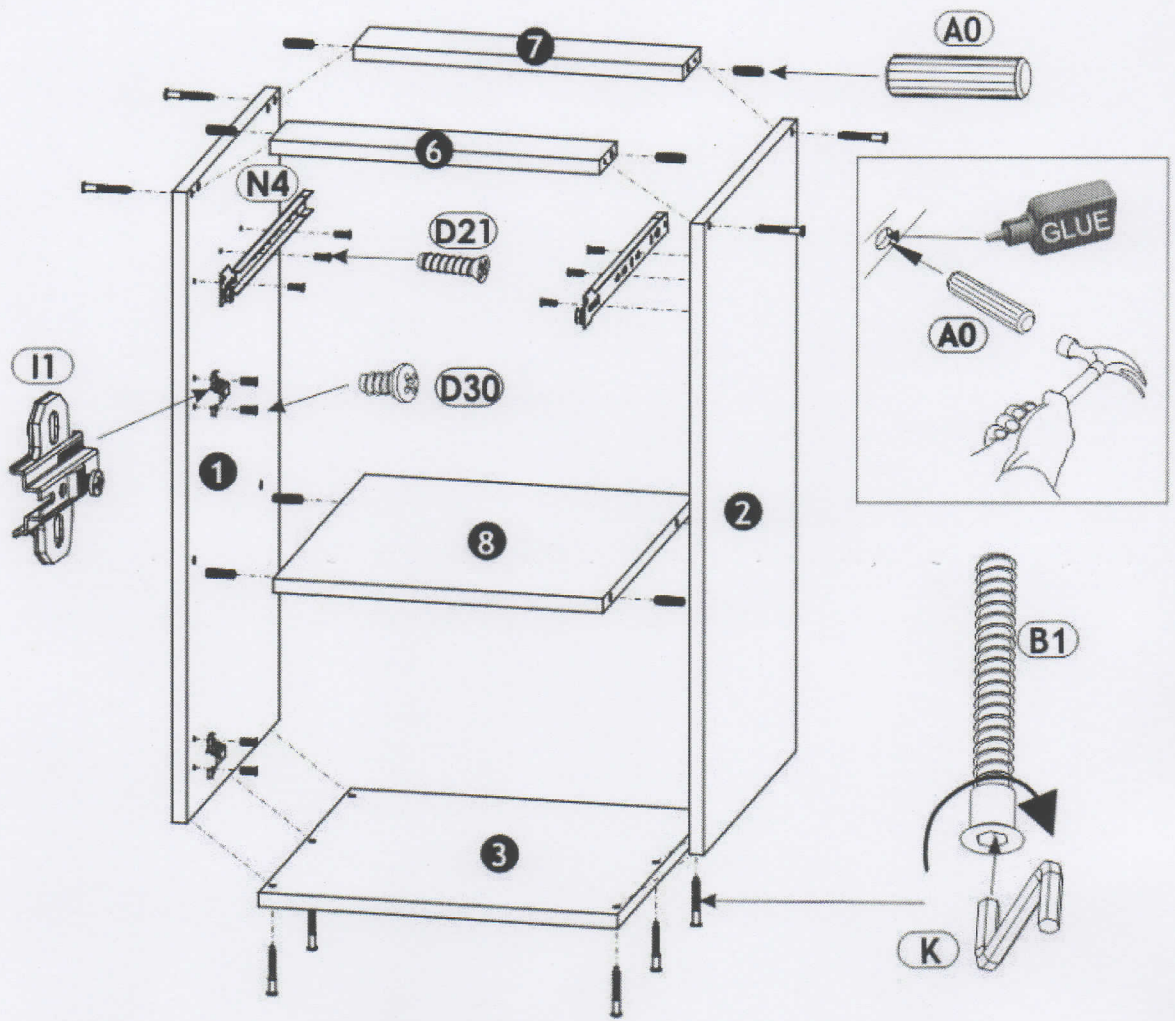


ALINA 300,400,500 lower cabinet

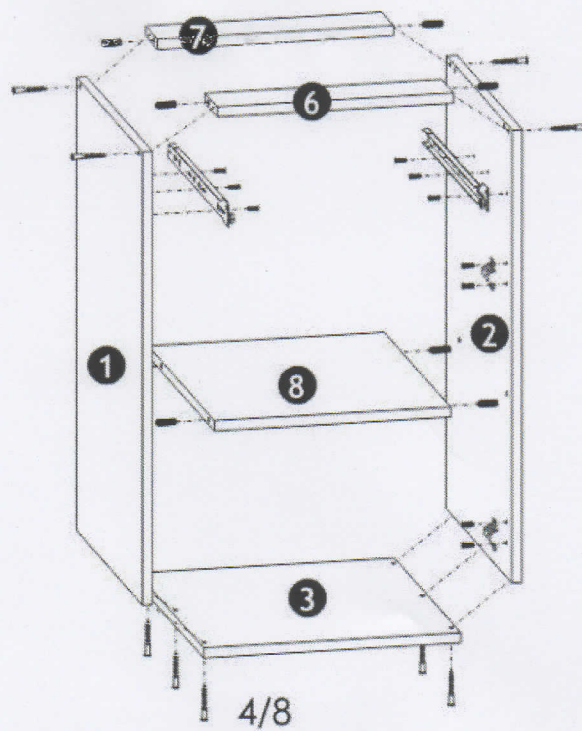
A0 8 x 32mm x12 	B1 f 7 x 50 mm x12 	B0 x2 
D0 3 x 15 mm x6 	D2 3 x 30 mm x4 	D10 4 x 16 mm x28 
D16 4.2 x 28 mm x4 	D21 5 x 13 mm x6 	D30 EURO 6,3 x 13 mm x4 
I1 x2 	I3 d 26mm x2 	K x1 
N4 L-400 x1 	T8 x80 	x2 
x4 	x4 	



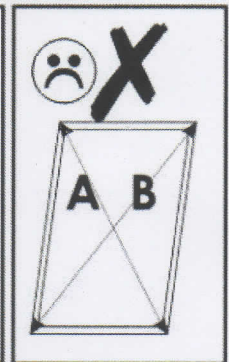
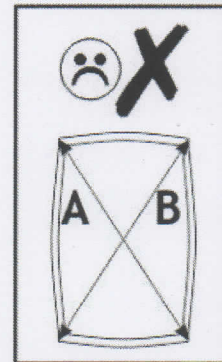
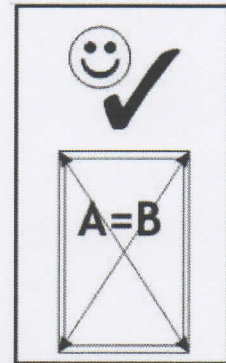
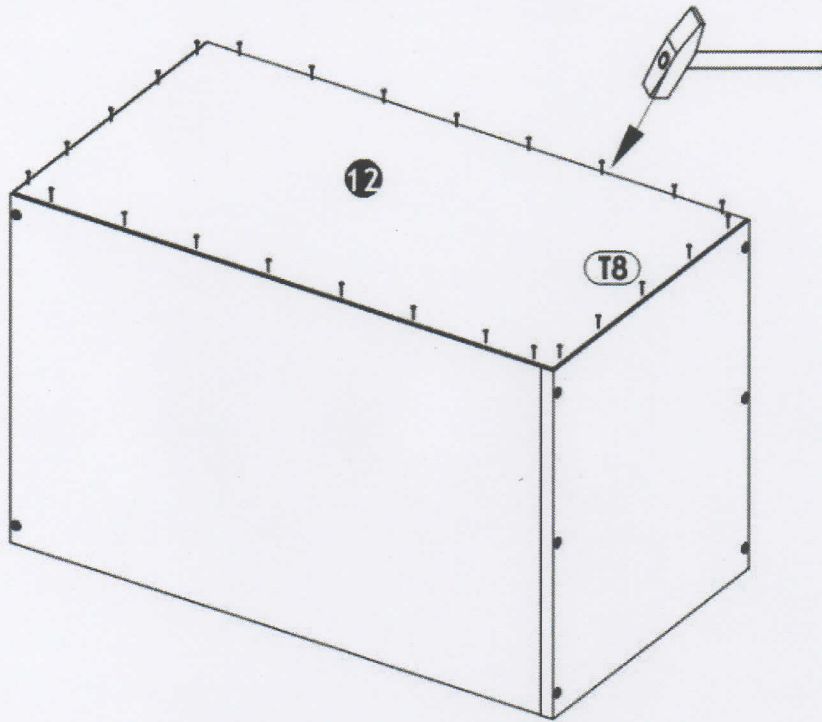
1▶L



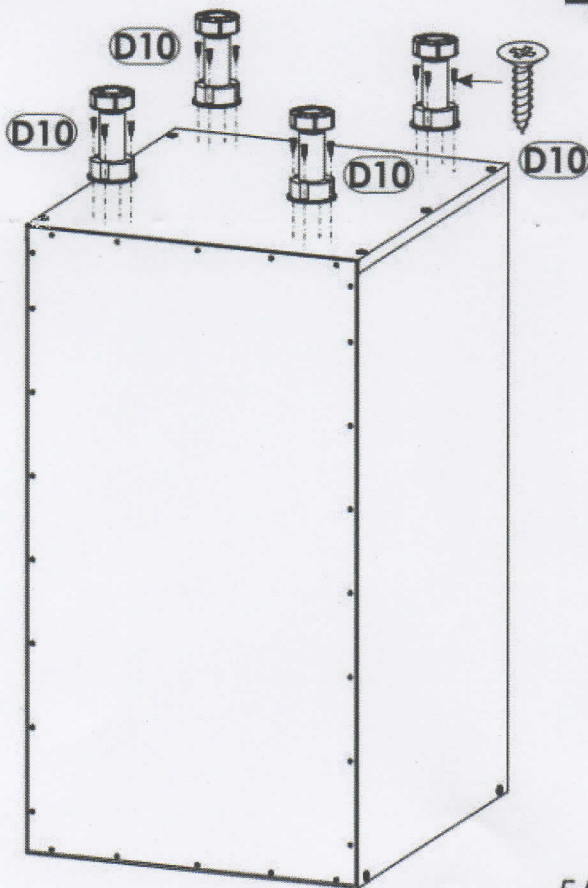
1▶R



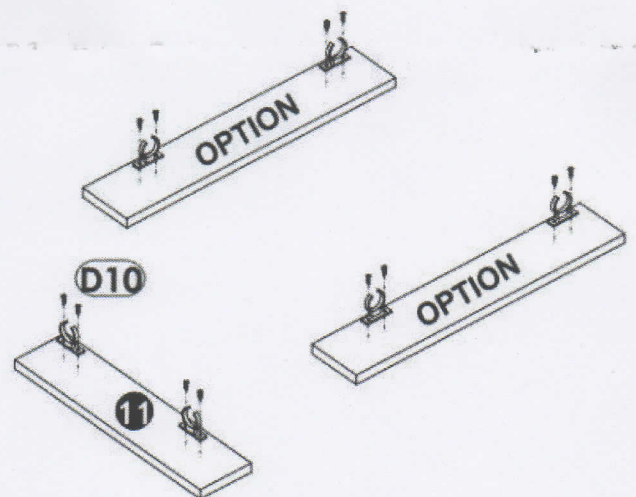
2 ▶



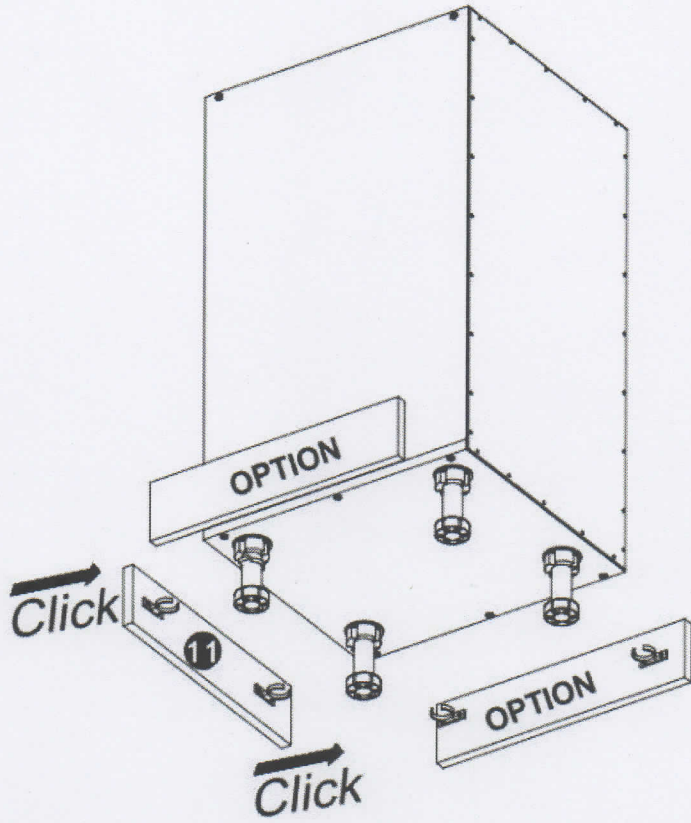
3 ▶



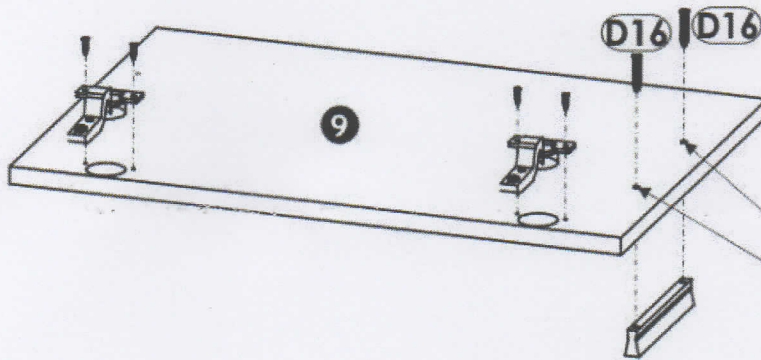
4 ▶



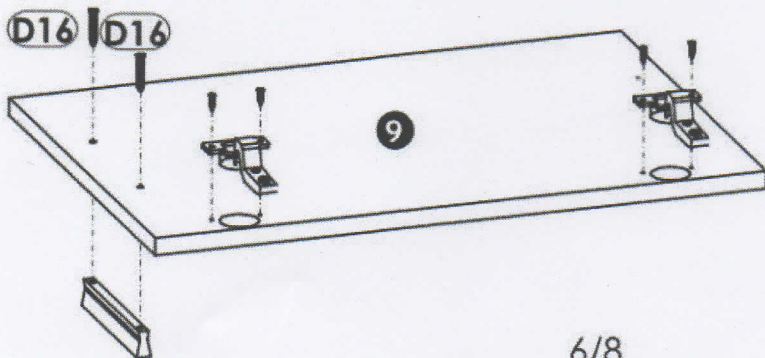
5 ▶



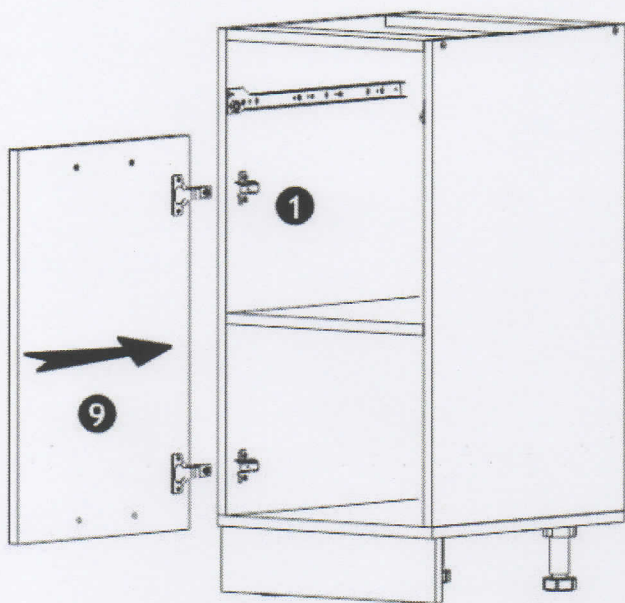
6 ▶ L



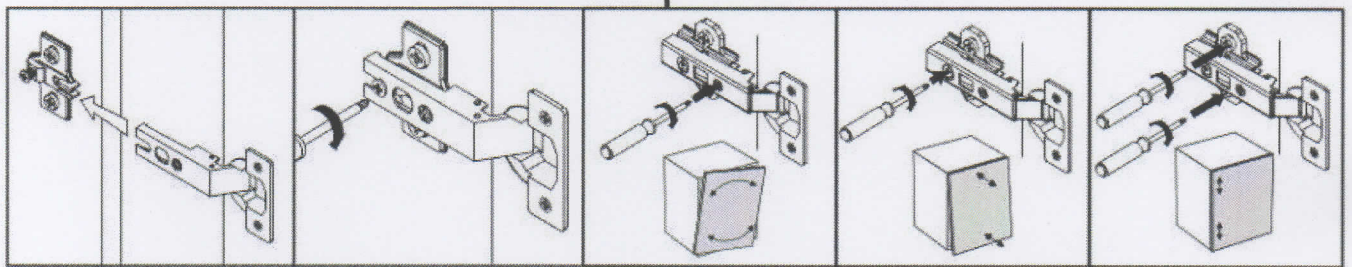
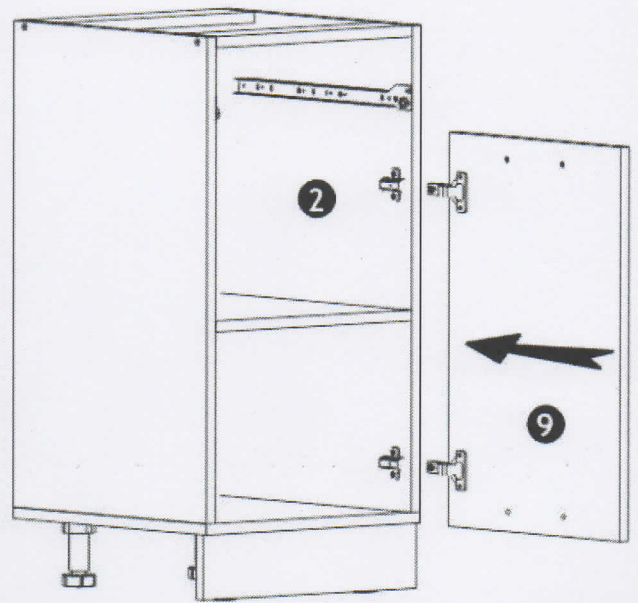
6 ▶ R



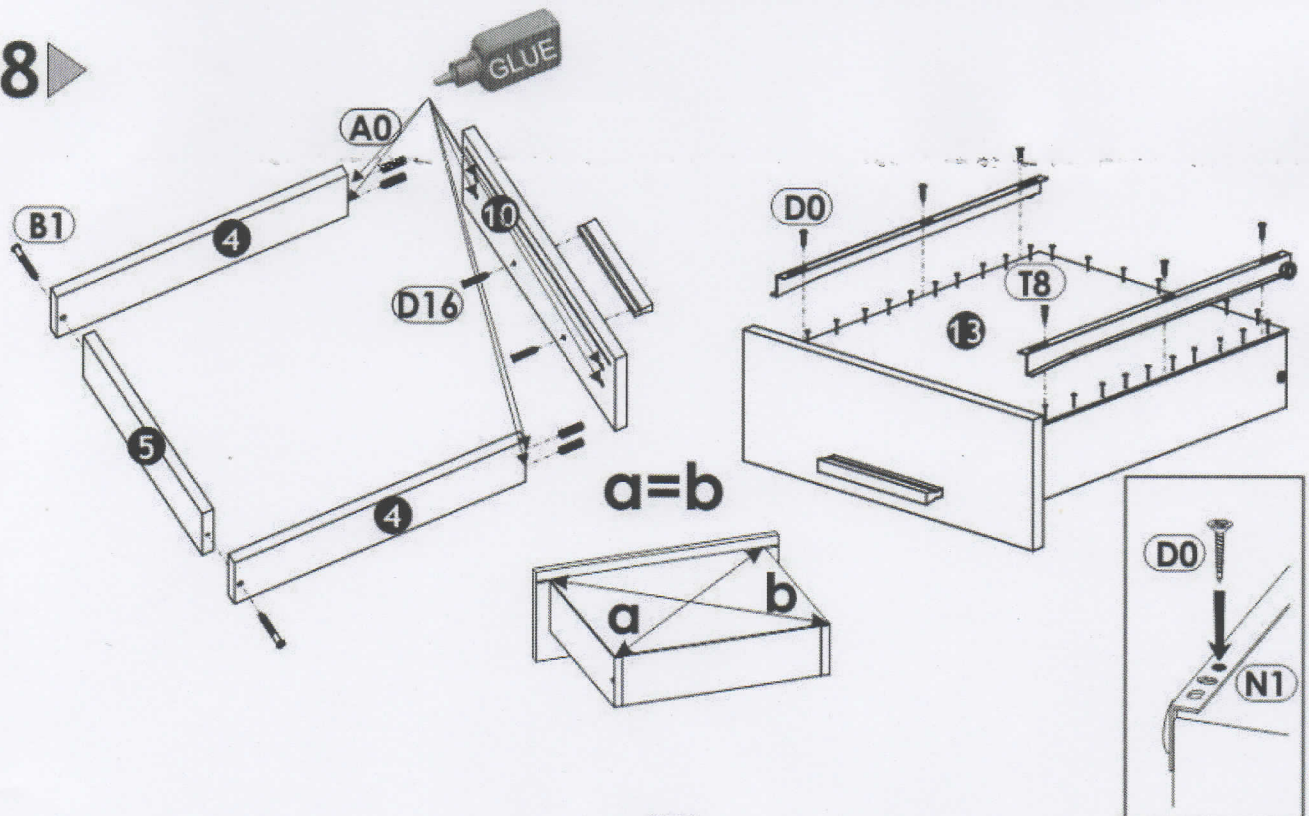
7▶ L



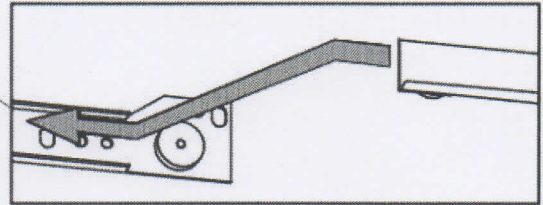
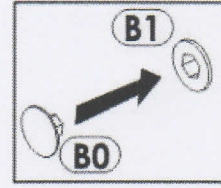
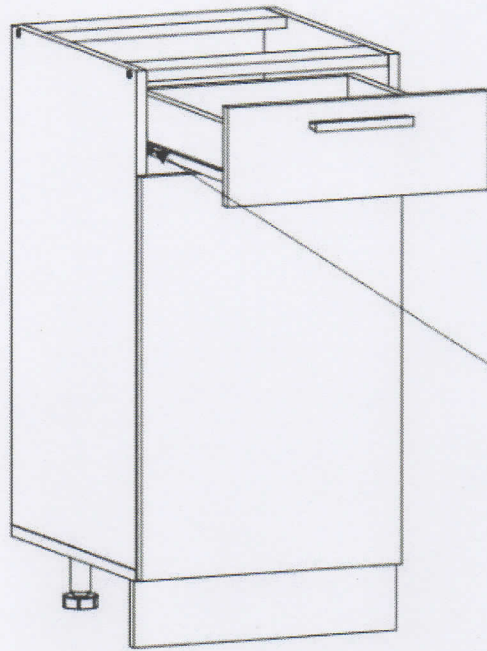
7▶ R



8▶



9 ▶



10 ▶

