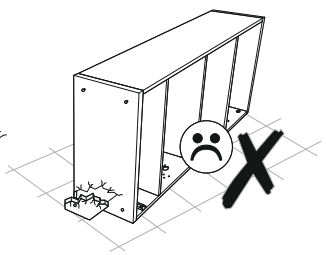
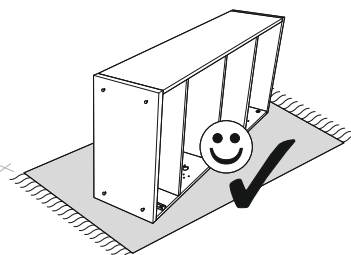
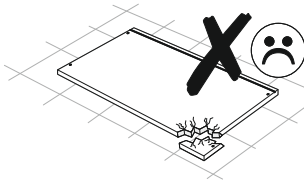
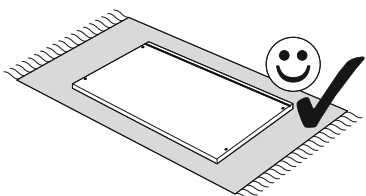
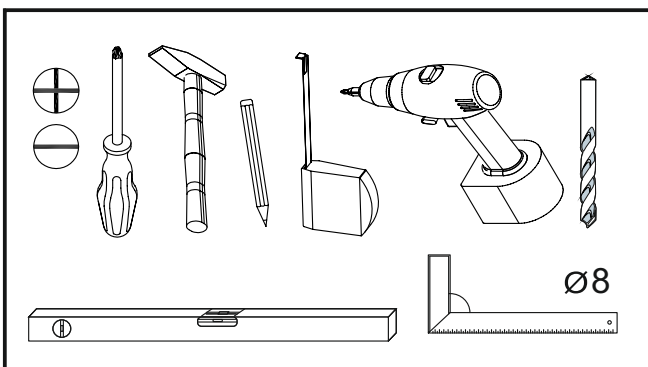
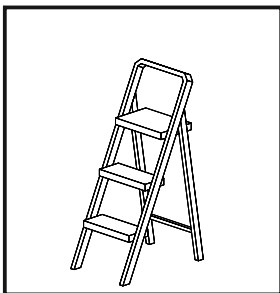
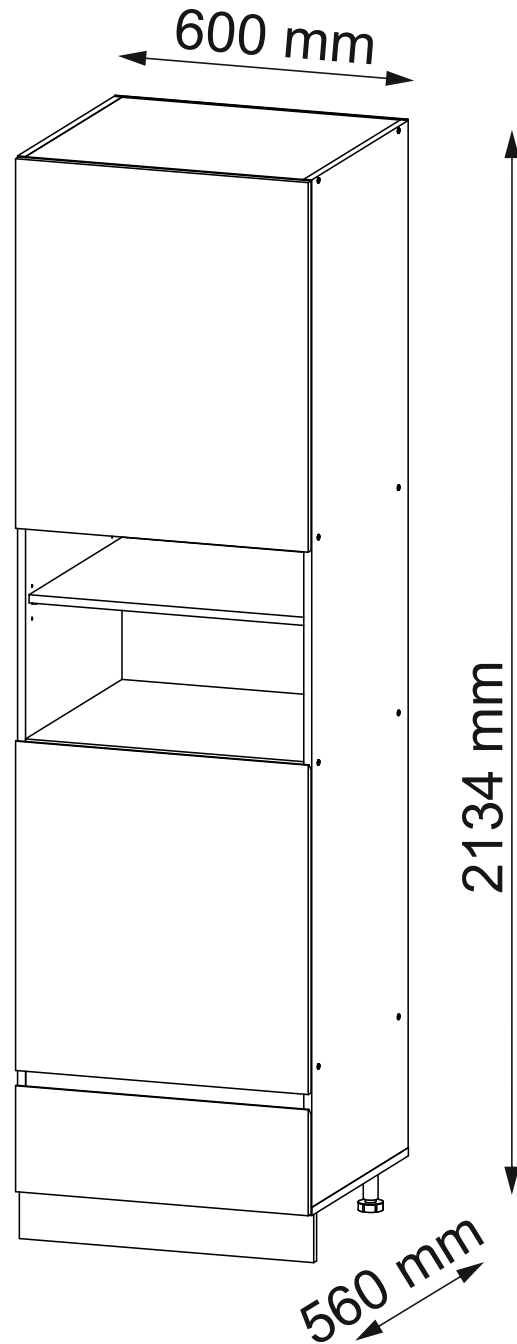
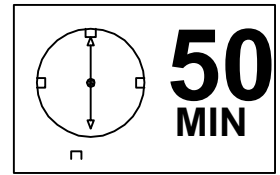
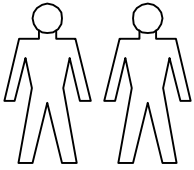









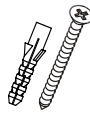




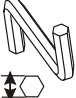





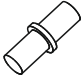






KITCHEN SOFT 60 LOWER BASE CABINET

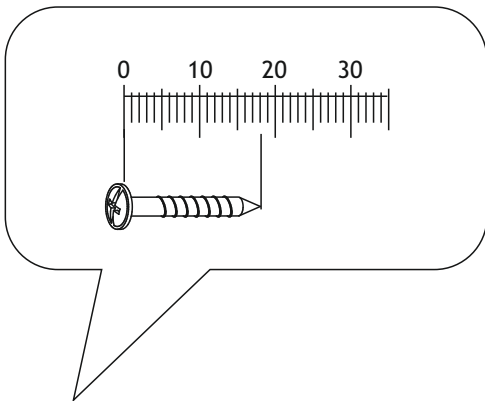


KITCHEN SOFT 60 LOWER BASE CABINET

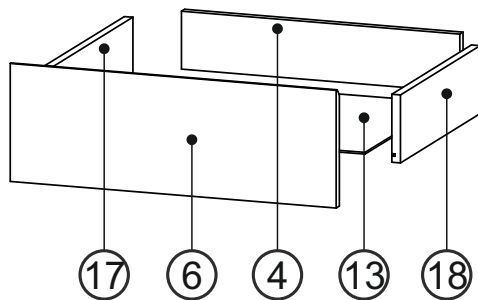
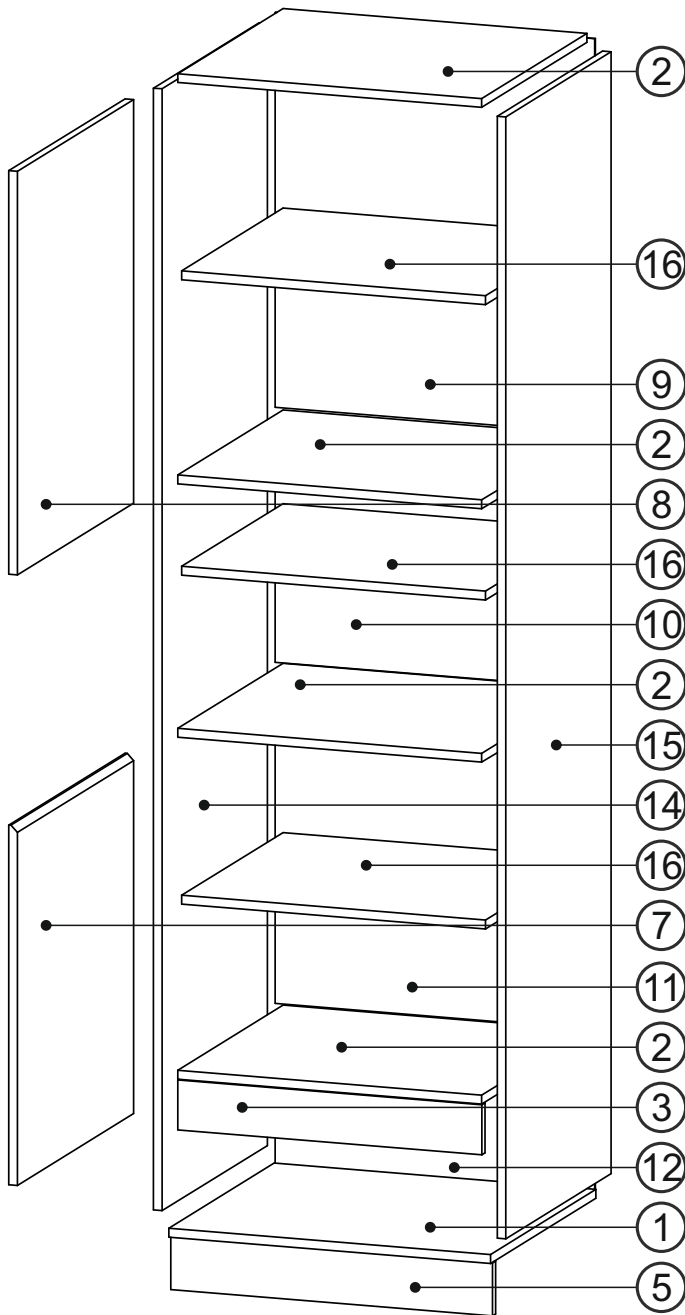
A0	B0	B1	C0	C2	C7	D0	D5	D21	E0	H0
										
ø8x30		ø7x50			16mm	3x15	3,5x16	5x13	8x50	
x16	x20	x26	x4	x4	x4	x18	x32	x14	x1	x4


J0	J6	J8	K	M1	M3	N8	P0	P24	Q0	T8
			 4mm			 L-400				
x2	x4	x4	x1	x6	x12	x1	x1	x1	x12	x60

T14	T15	U0
		
x4	x2	x6




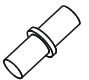


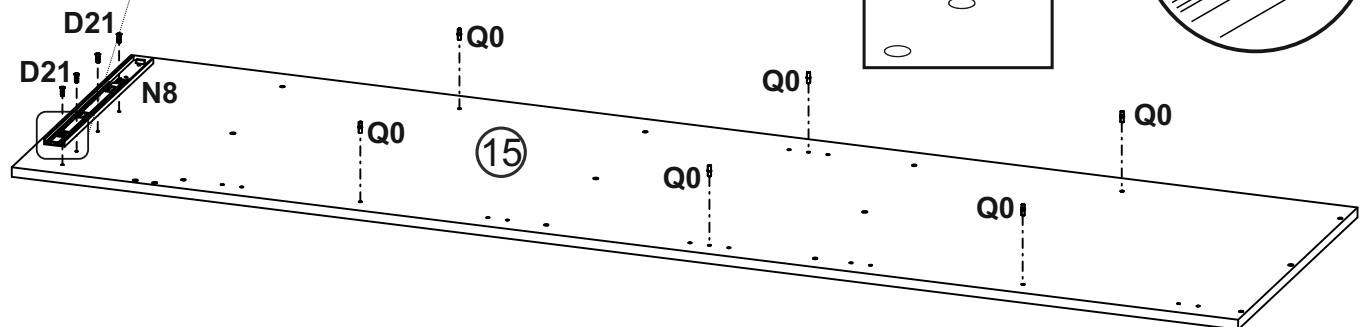
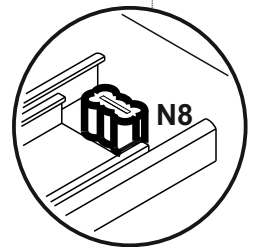
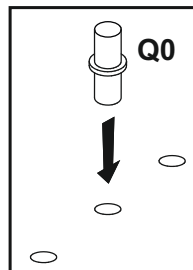
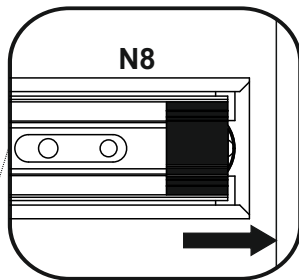
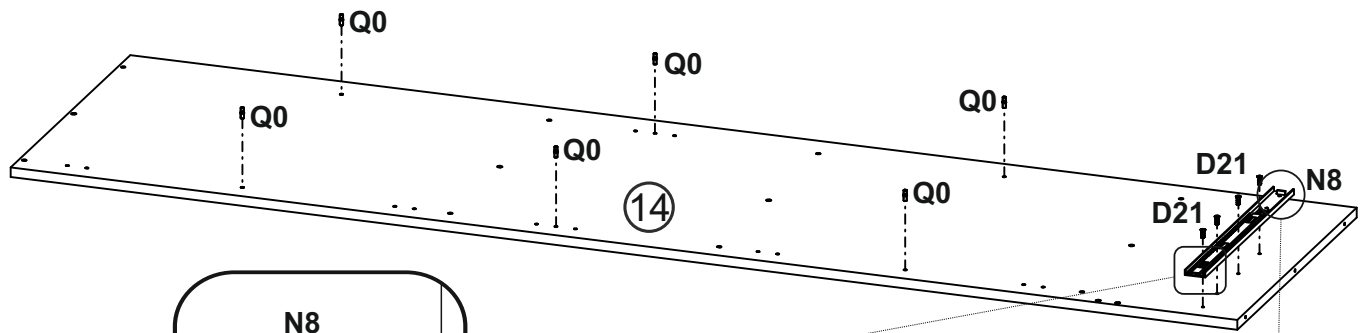
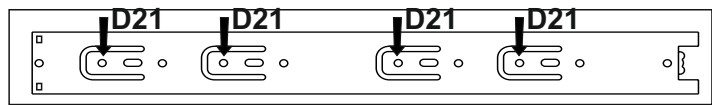
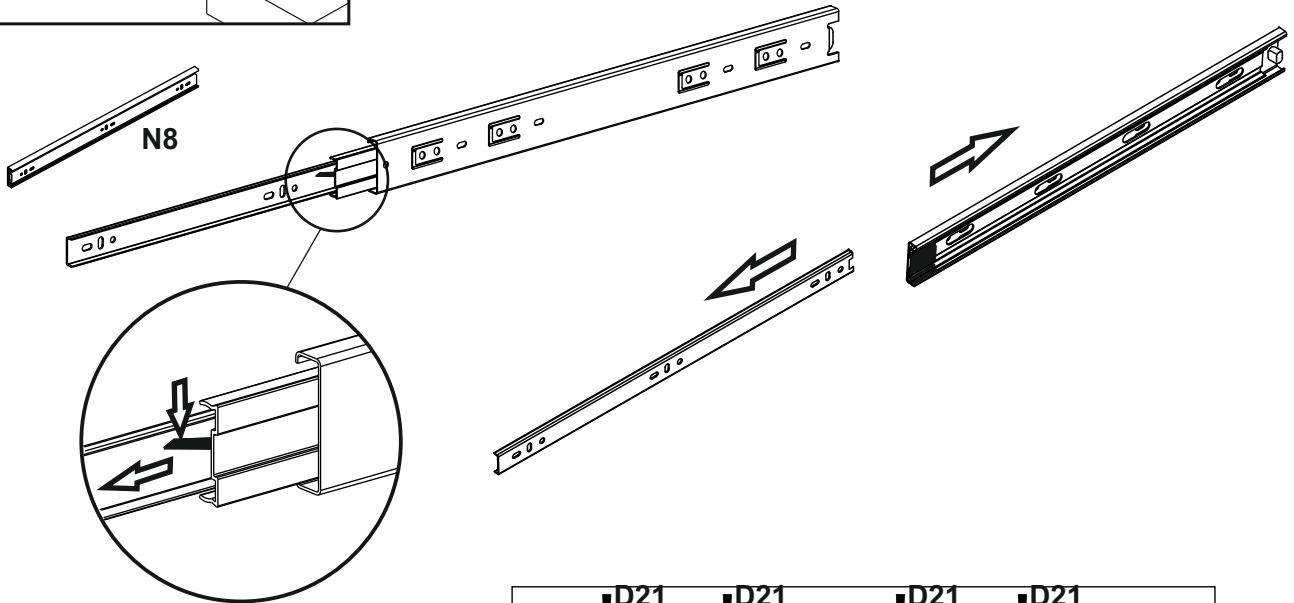
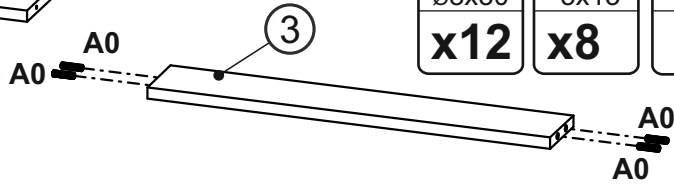
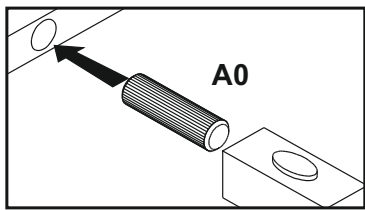
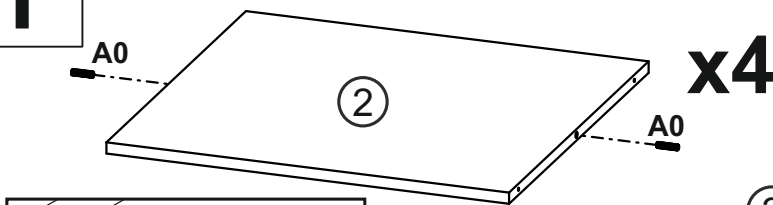
KITCHEN SOFT 60 LOWER BASE CABINET



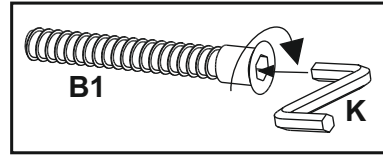
①	600	540	16	x1	1/2
②	567	539,5	16	x4	1/2
③	567	90	16	x1	1/2
④	509	102	16	x1	1/2
⑤	600	95	16	x1	1/2
⑥	596	208	16	x1	1/2
⑦	596	647	16	x1	1/2
⑧	596	726	16	x1	1/2
⑨	710	596	3	x1	1/2
⑩	438	596	3	x1	1/2
⑪	596	596	3	x1	1/2
⑫	283	596	3	x1	1/2
⑬	519	405	3	x1	1/2
⑭	2018	540	16	x1	2/2
⑮	2018	540	16	x1	2/2
⑯	567	520	16	x3	2/2
⑰	400	120	16	x1	2/2
⑱	400	120	16	x1	2/2
					1/2


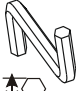
1

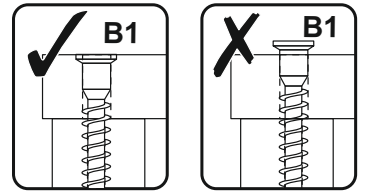
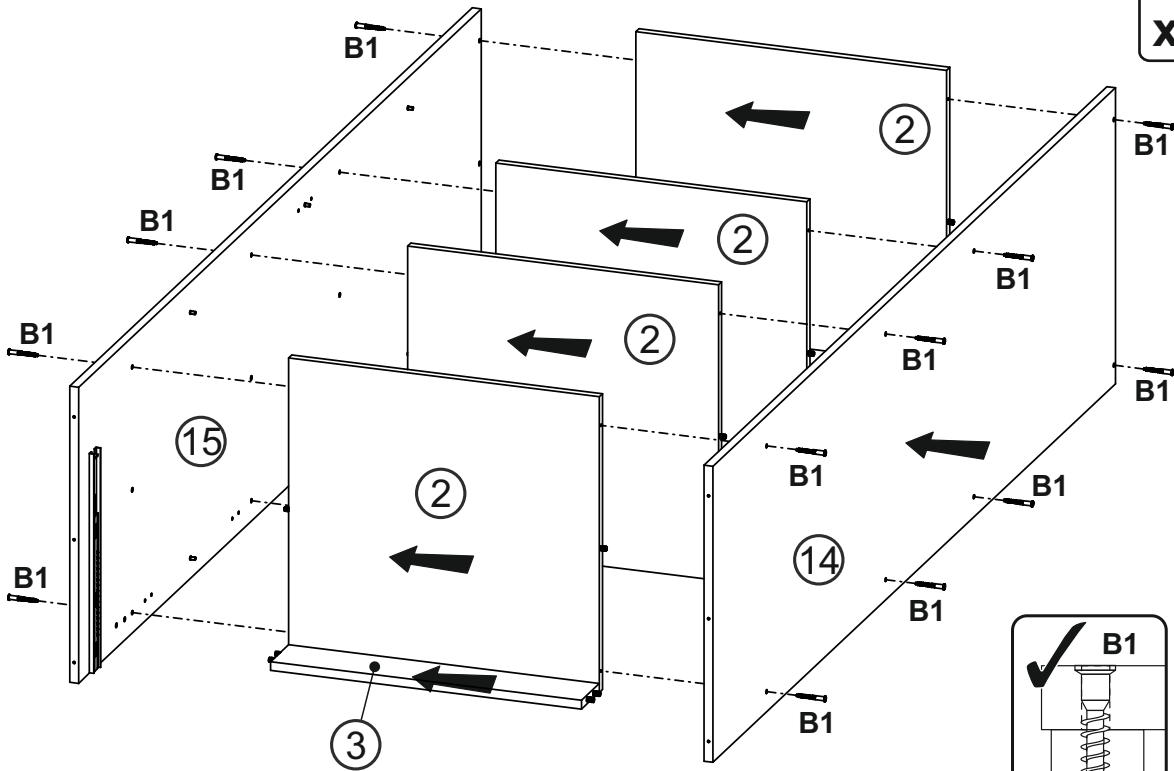
A0  ∅8x30 x12	D21  5x13 x8	N8  L-400 x1	Q0  x12
---	--	--	--




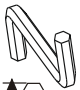
2

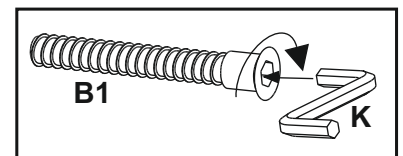
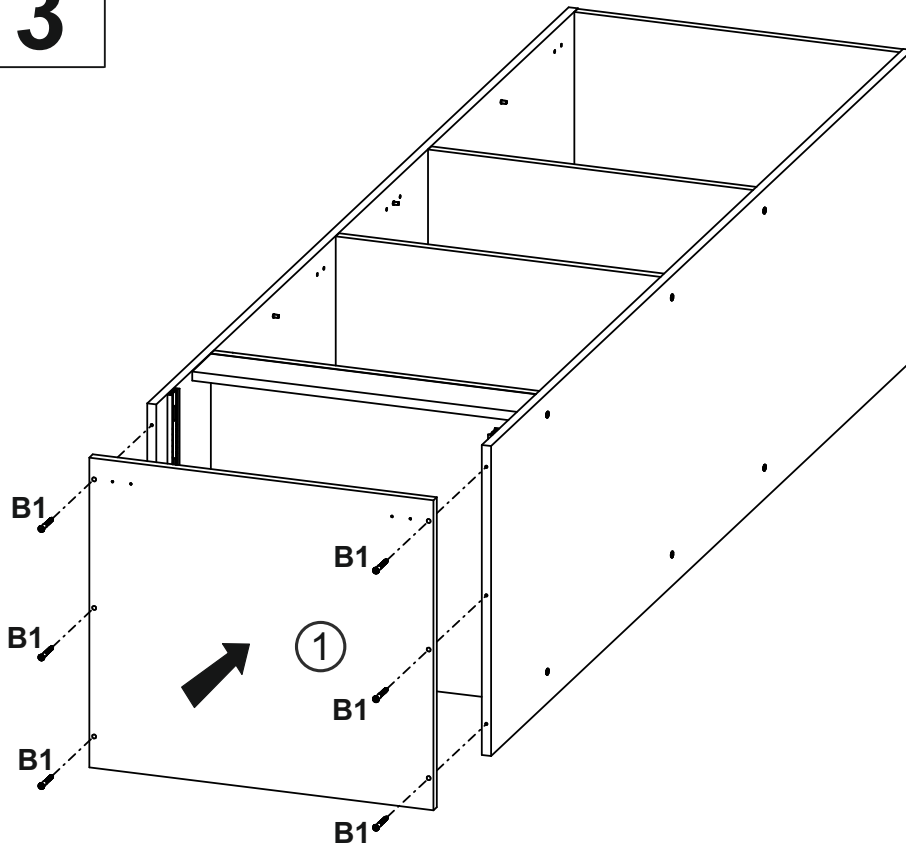


B1	K
	
ø7x50	4mm
x16	x1

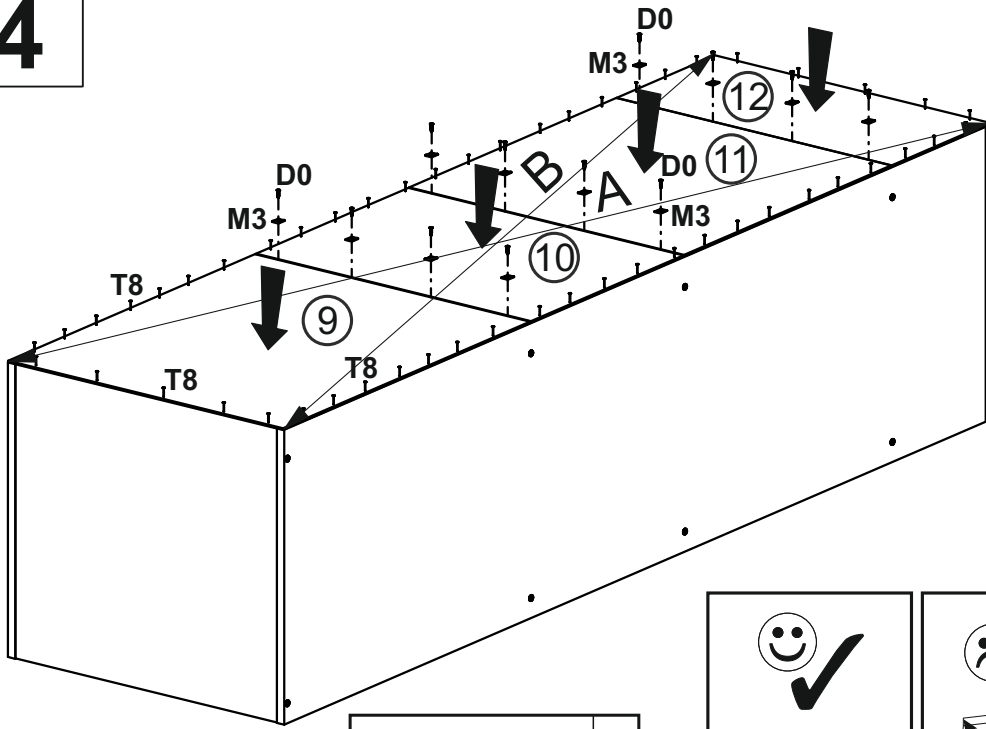



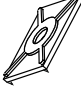

3

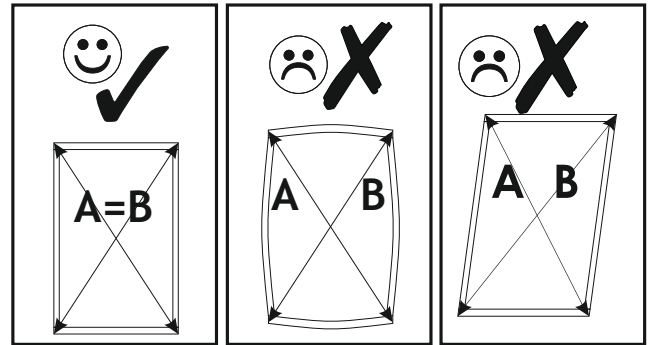
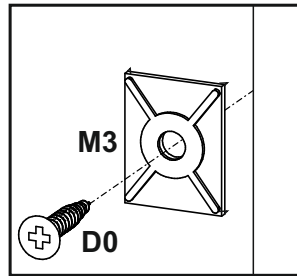
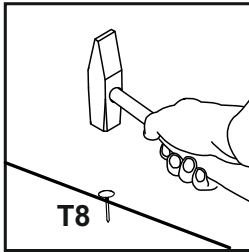
B1	K
	
ø7x50	4mm
x6	x1



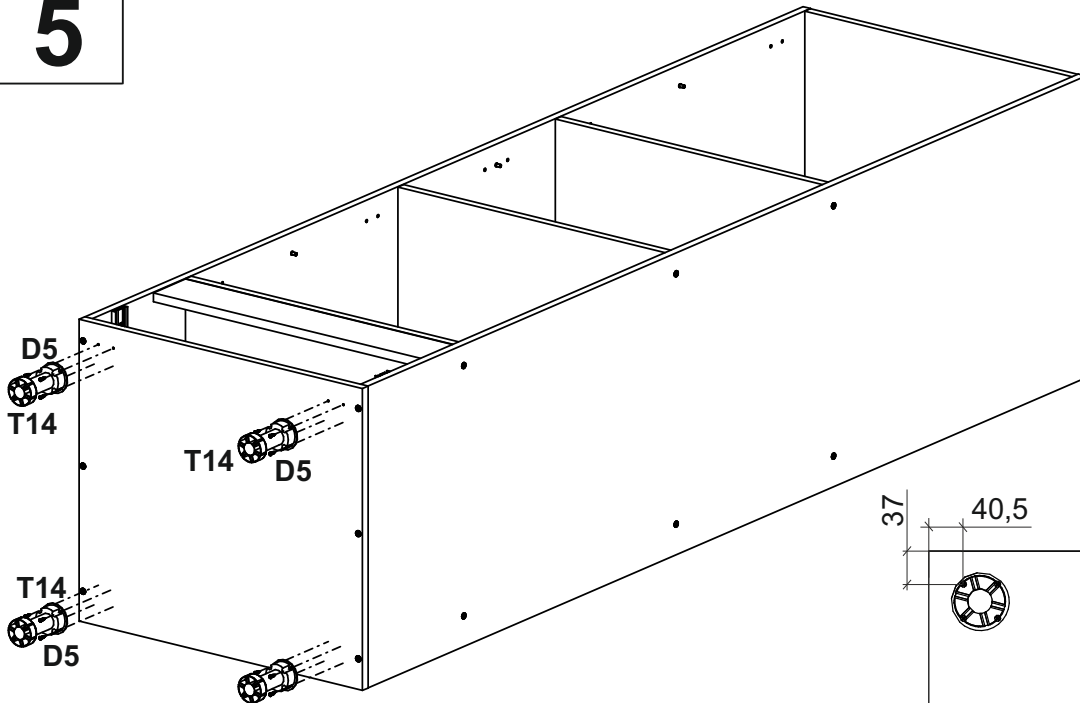
4





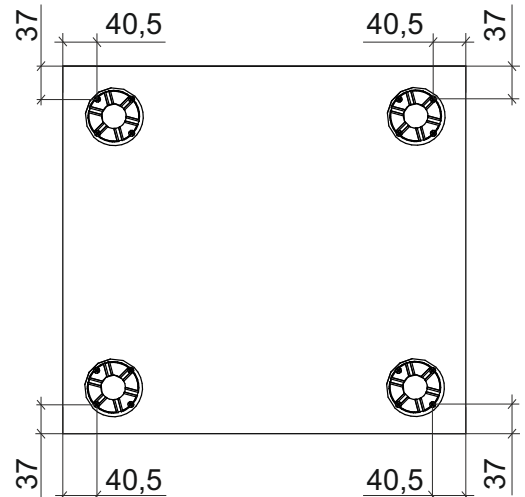
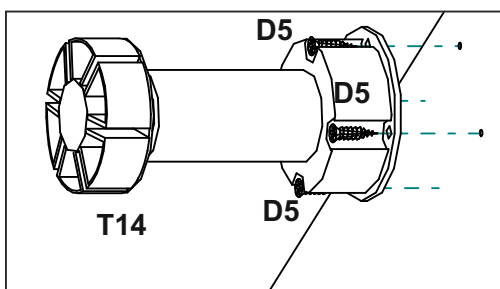
D0	M3	T8
		
3x15		
x12	x12	x54

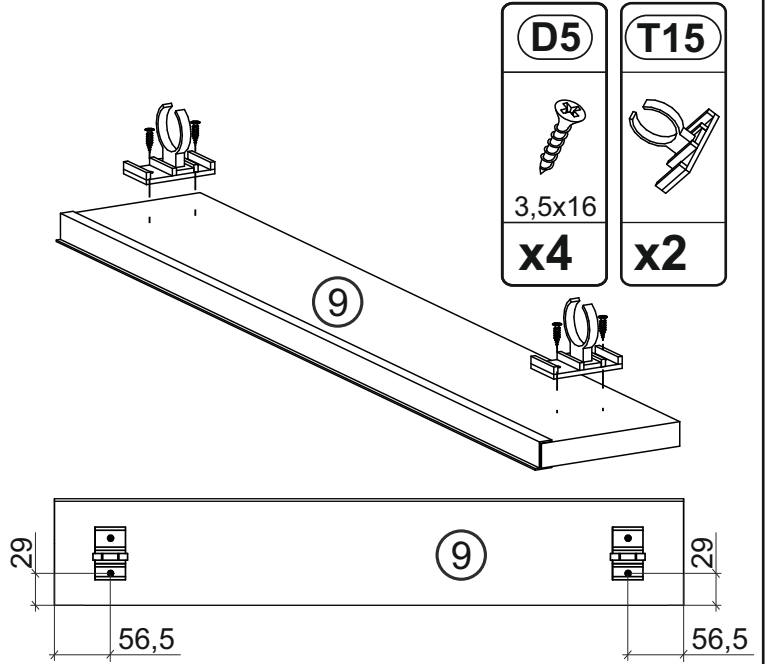
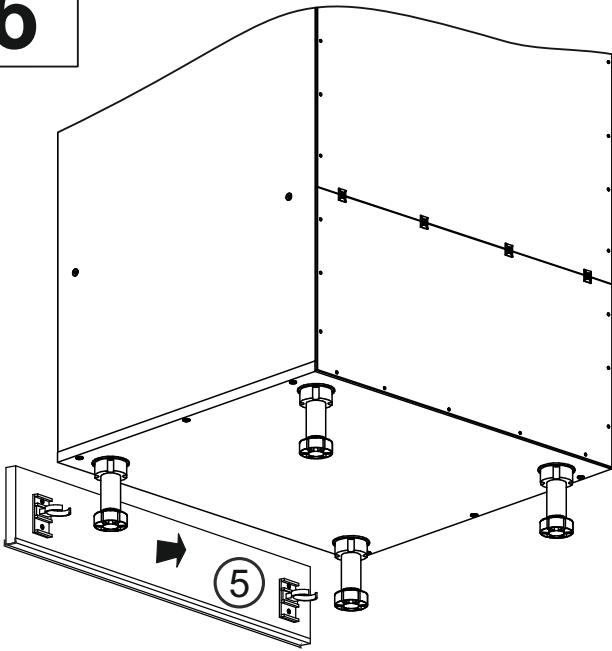
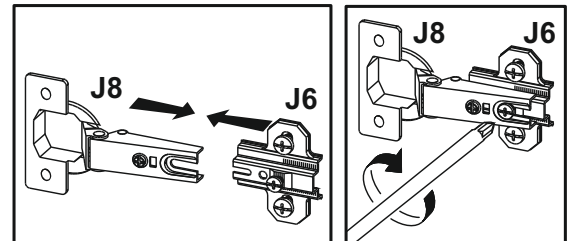
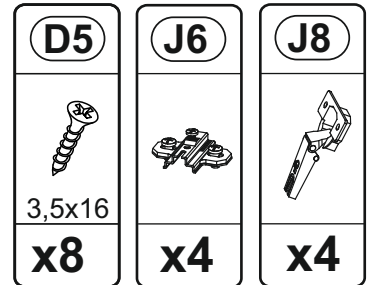
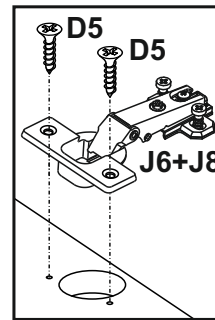
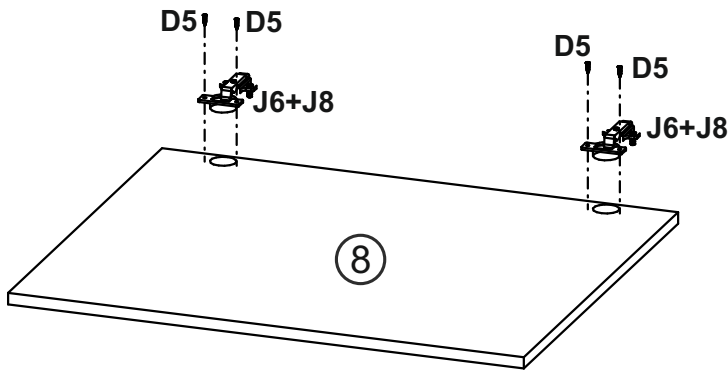
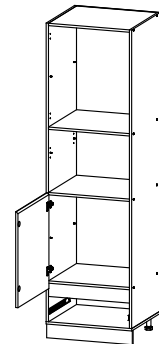
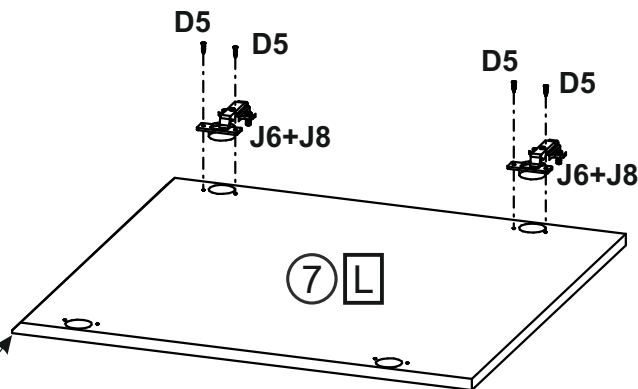
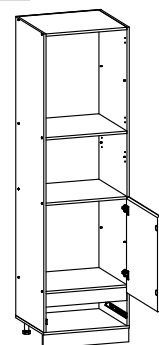
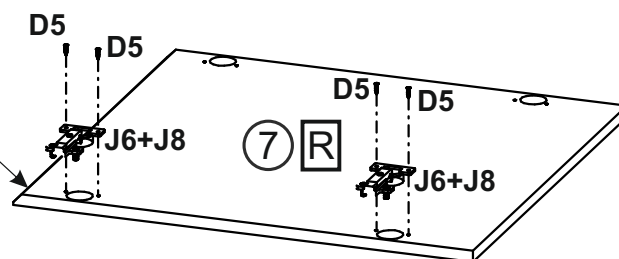


5

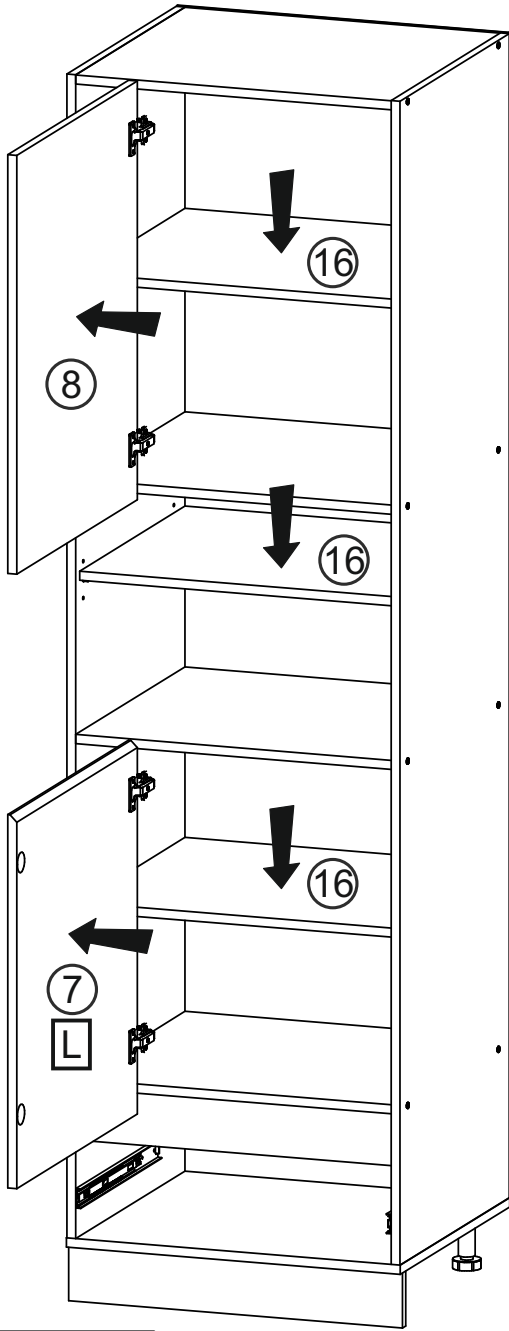


D5	T14
	
3,5x16	
x16	x4

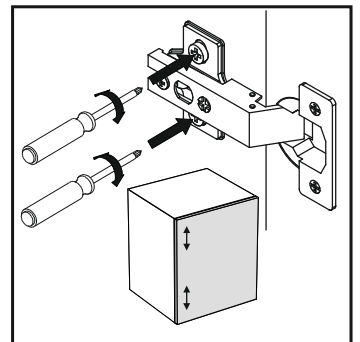
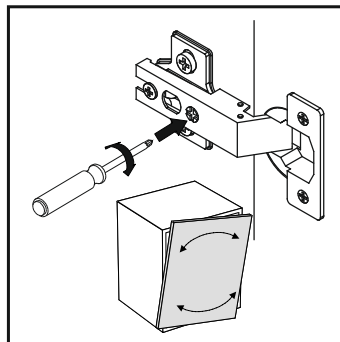
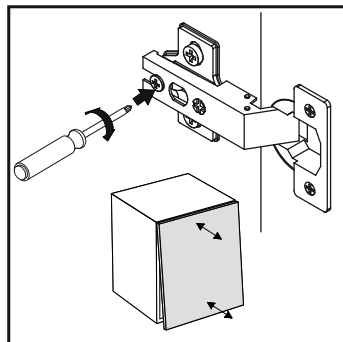
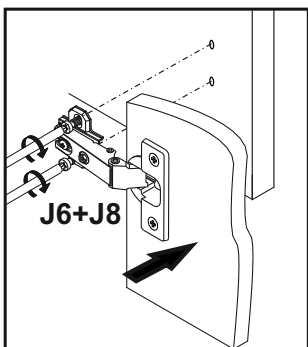
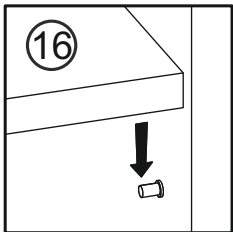
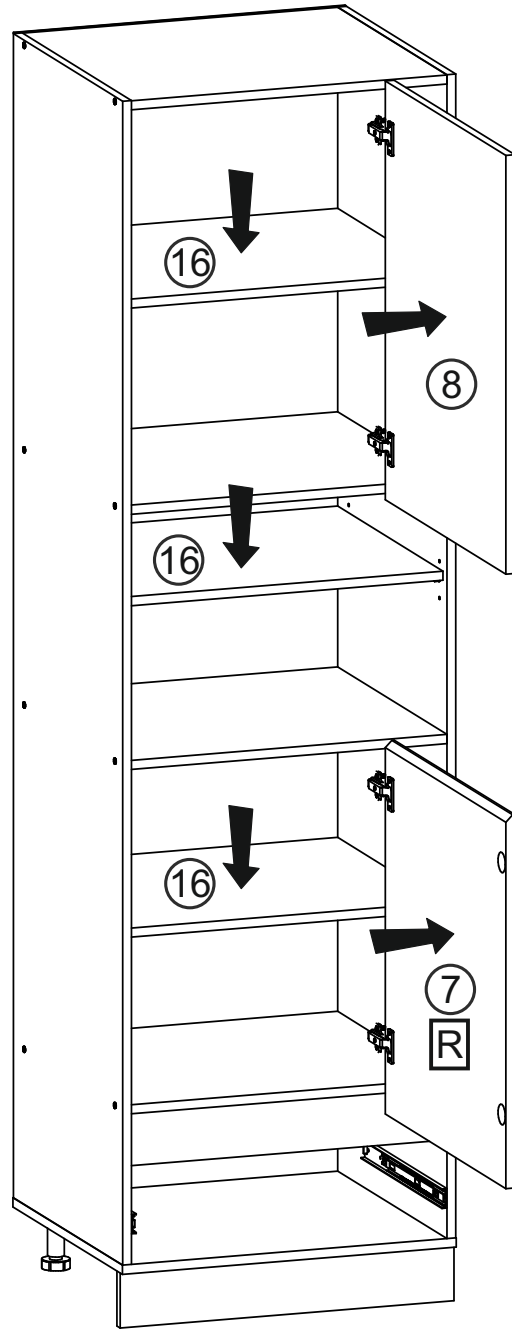


6**7****L****R**

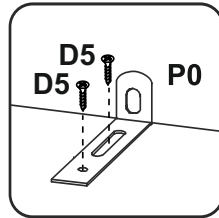
8L



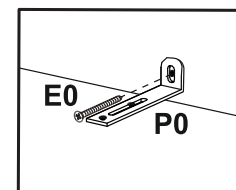
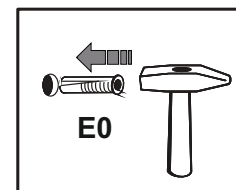
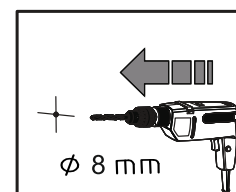
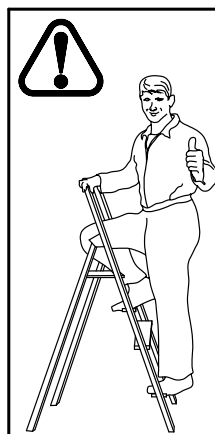
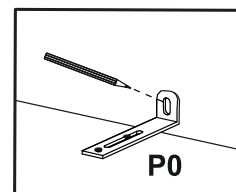
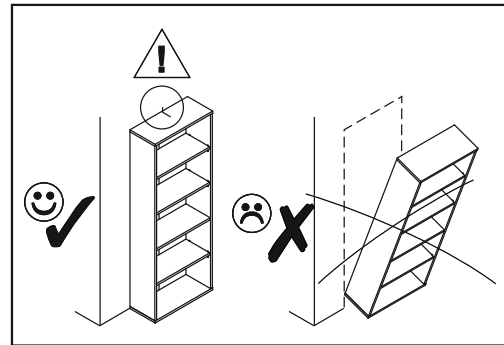
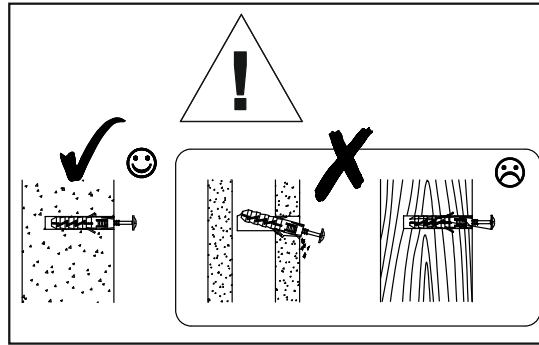
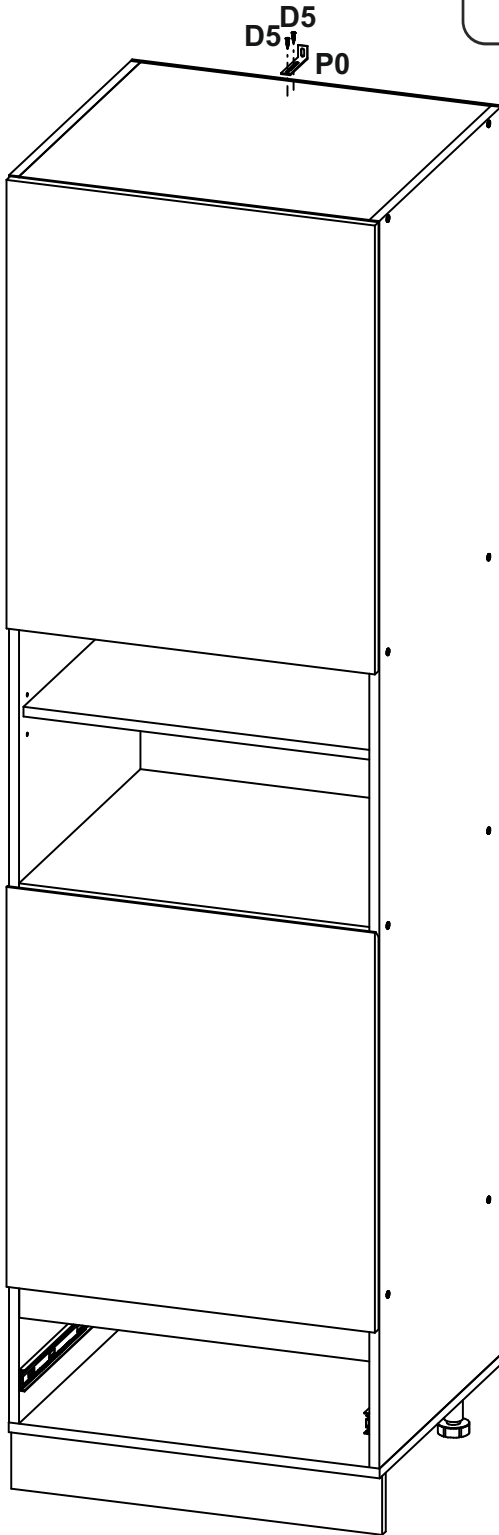
8R









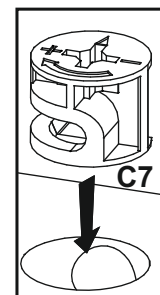
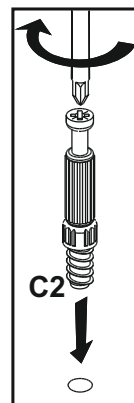
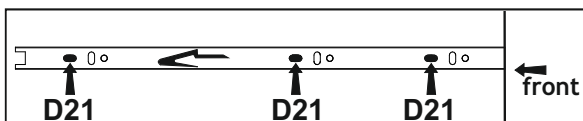
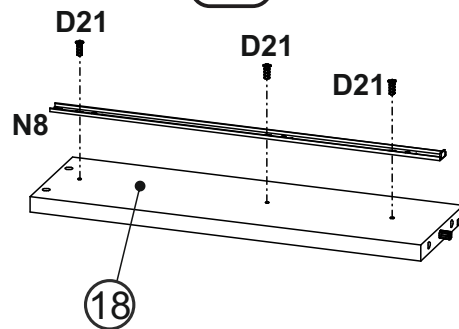
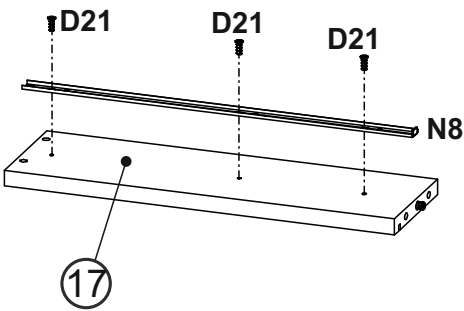
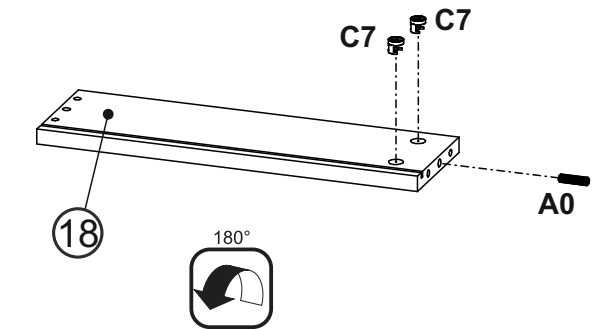
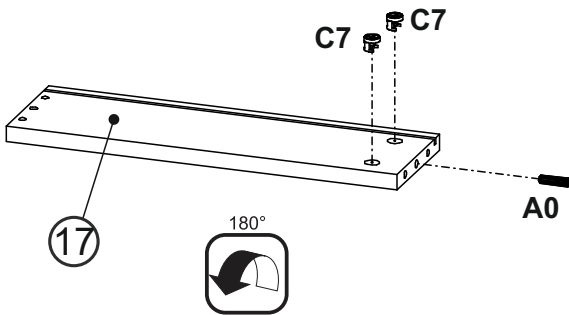
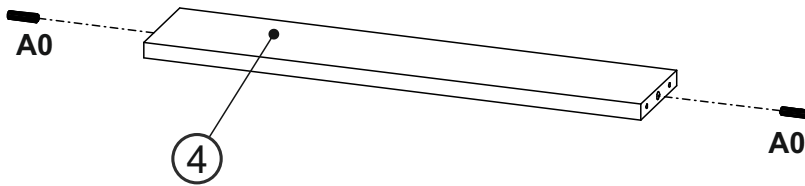
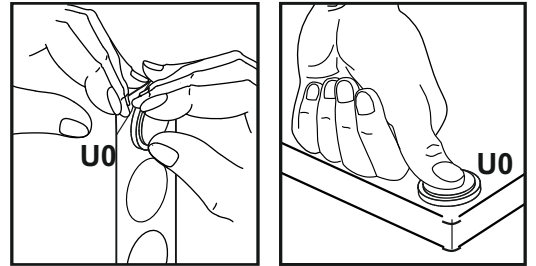
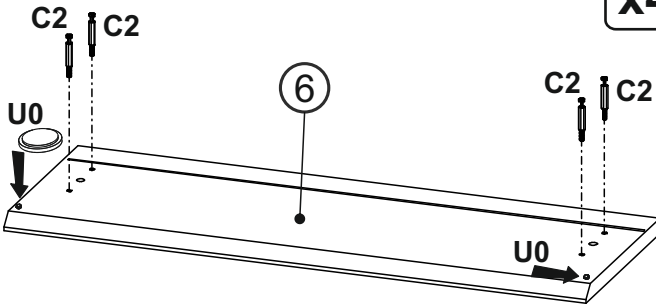
9

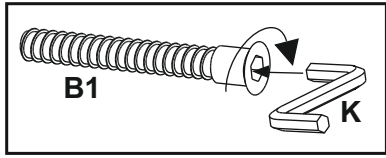


D5	E0	P0
3,5x16	8x50	
x2	x1	x1

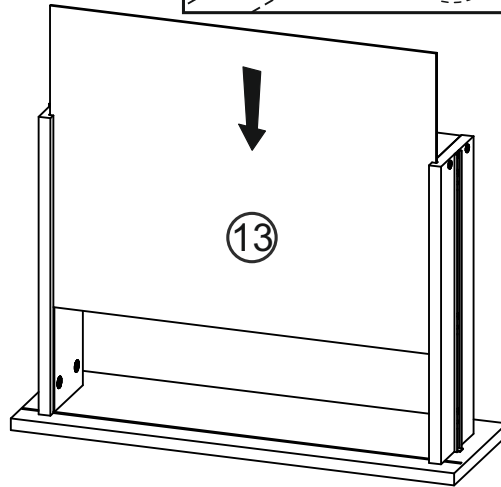
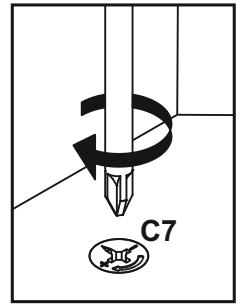
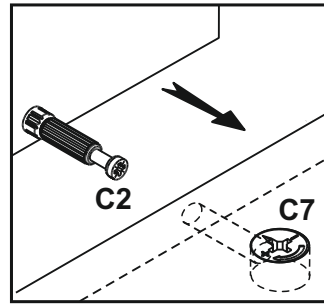
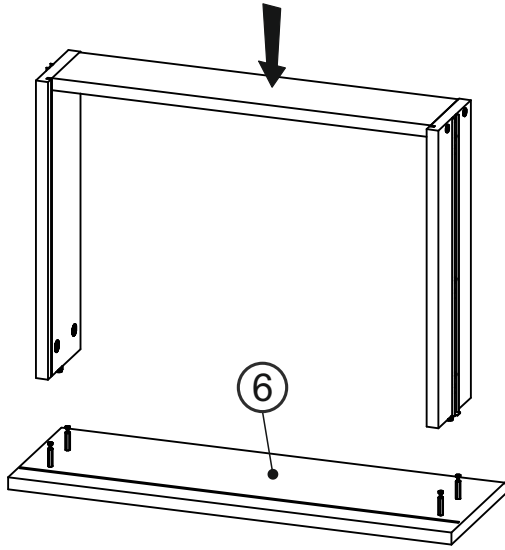
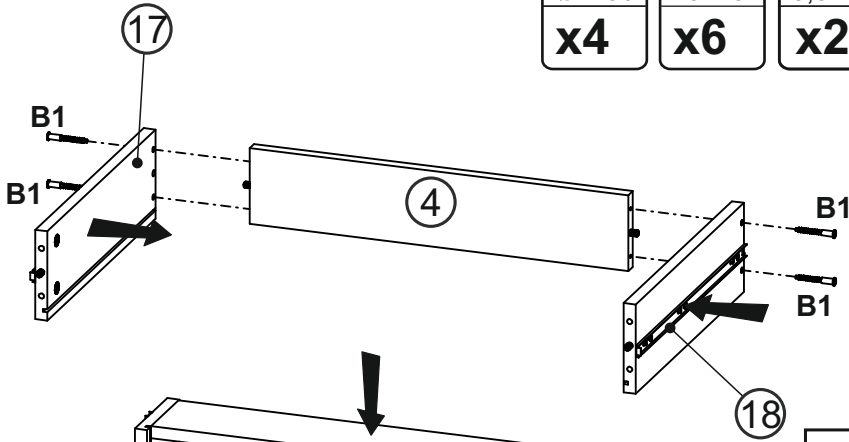


A0	C2	C7	D21	N8	U0
					
∅8x30		16mm	5x13	L-400	
x4	x4	x4	x6	x1	x2

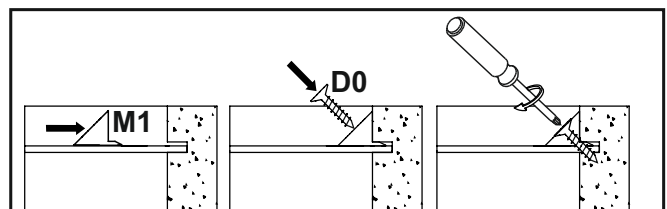
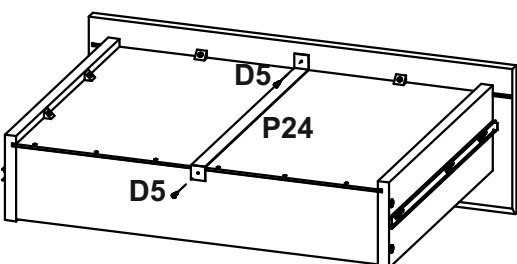
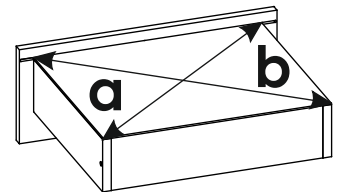
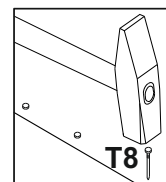
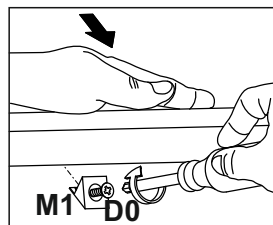
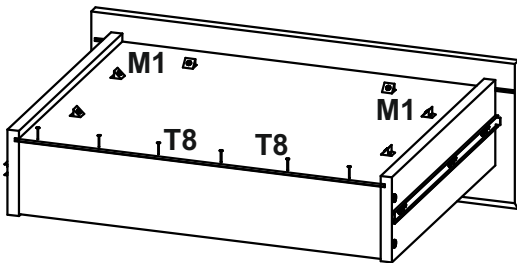




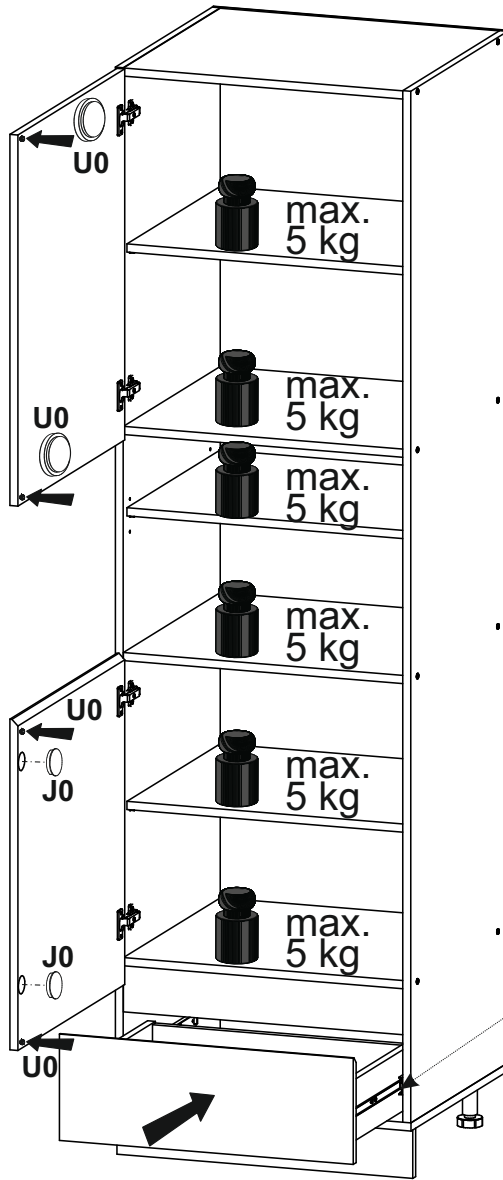
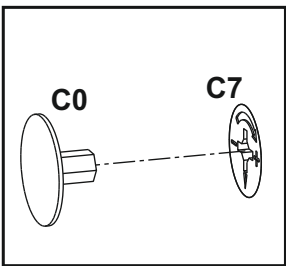
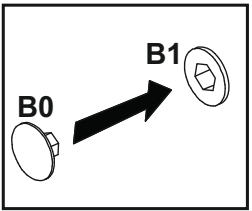
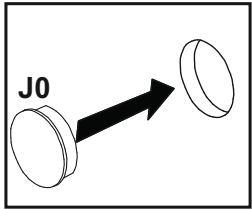
B1 ∅7x50 x4	D0 3x15 x6	D5 3,5x16 x2	K 4mm x1	M1 x6	P24 x1	T8 x6
-------------------------------------	------------------------------------	--------------------------------------	----------------------------------	----------------------------	-----------------------------	----------------------------



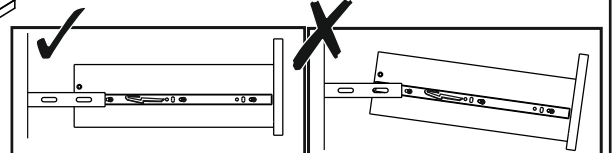
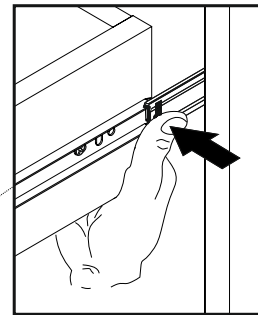
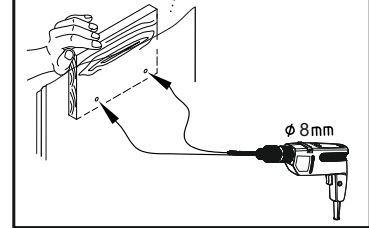
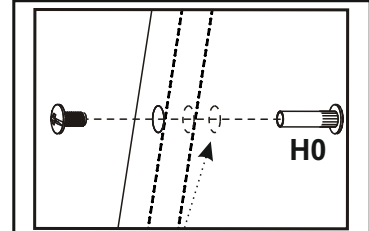
a=b



12



B0	C0	J0	H0
x20	x4	x2	x4



EXAMPLE

