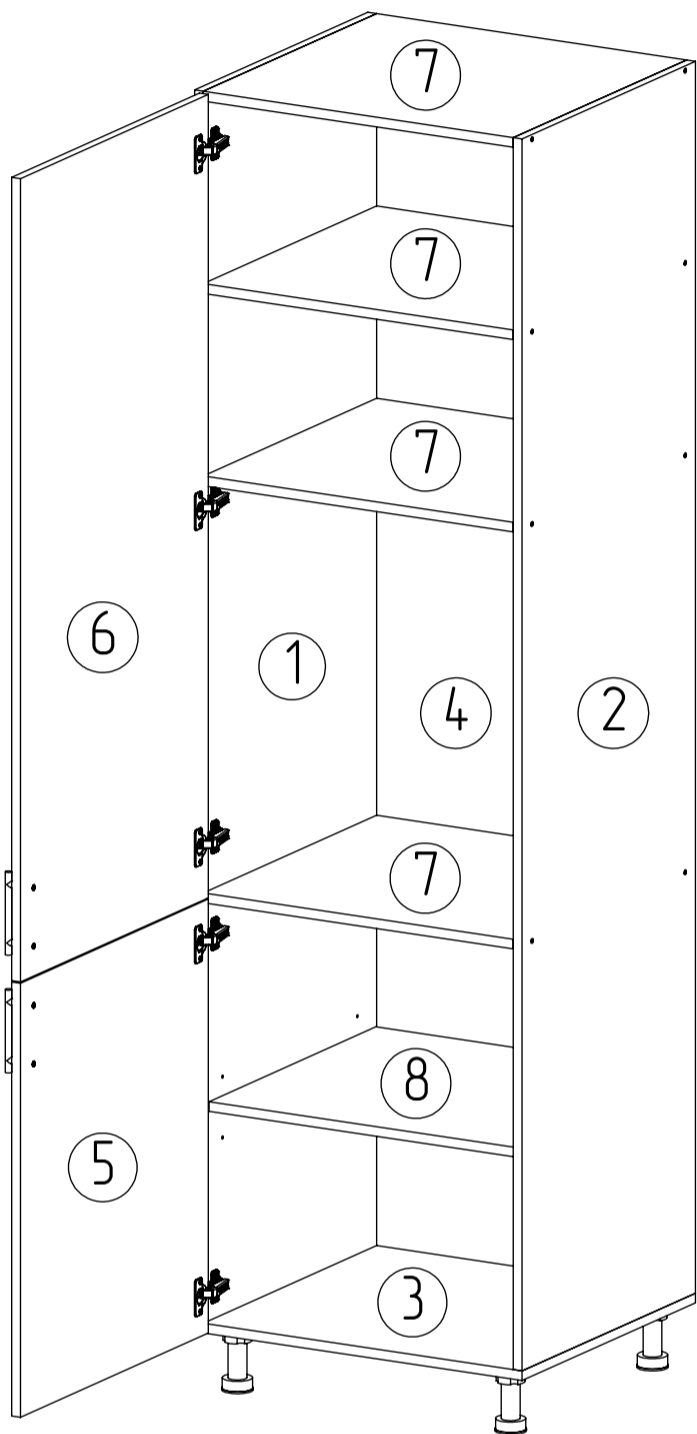


Cases



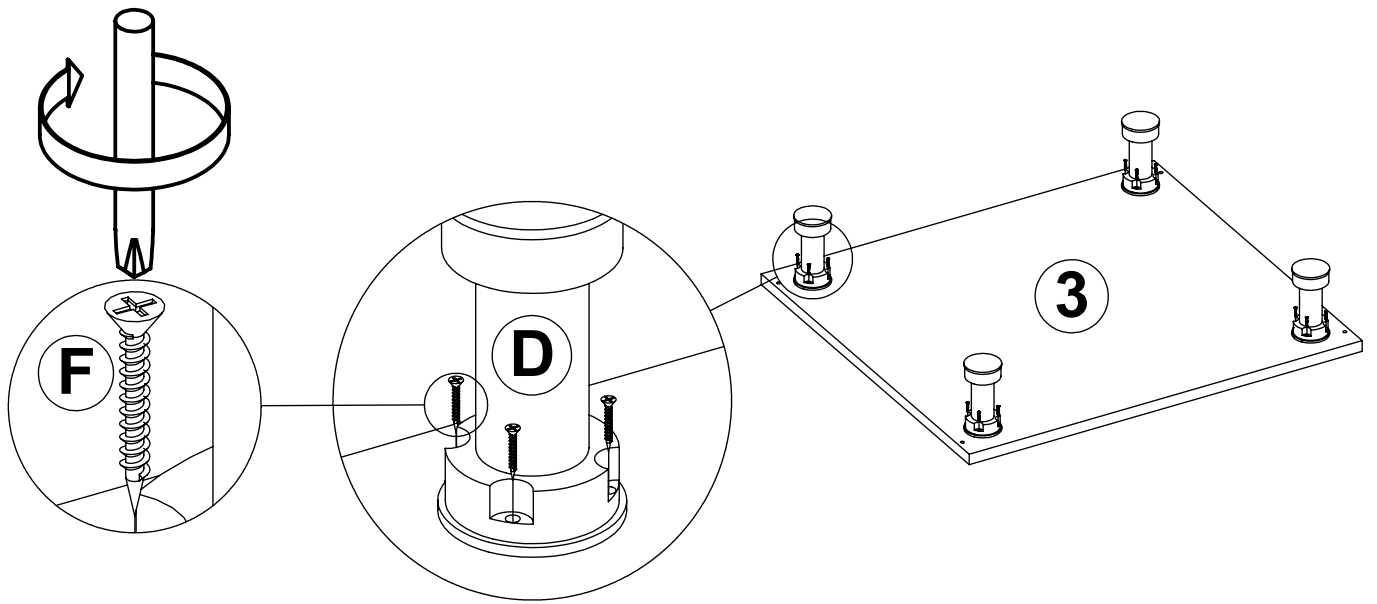
No

x

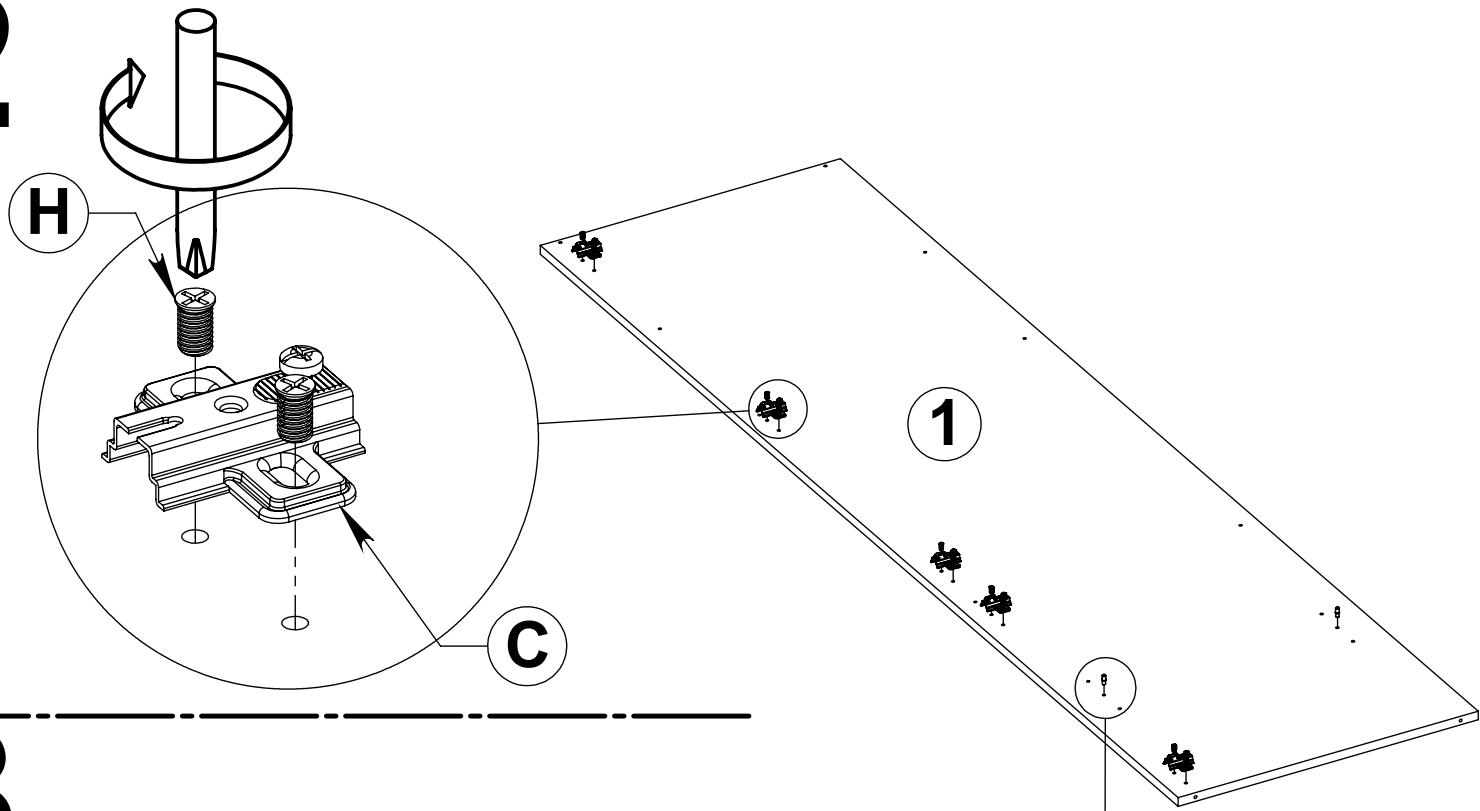
| | | |
|---|--------------|---|
| ① | 2024x550x16 | 1 |
| ② | 2024x550x16 | 1 |
| ③ | 600x550x16 | 1 |
| ④ | 2036x596x2,5 | 1 |
| ⑤ | 713x596x16 | 1 |
| ⑥ | 1320x596x16 | 1 |
| ⑦ | 568x550x16 | 4 |
| ⑧ | 568x530x16 | 1 |

G40-KT-068-A

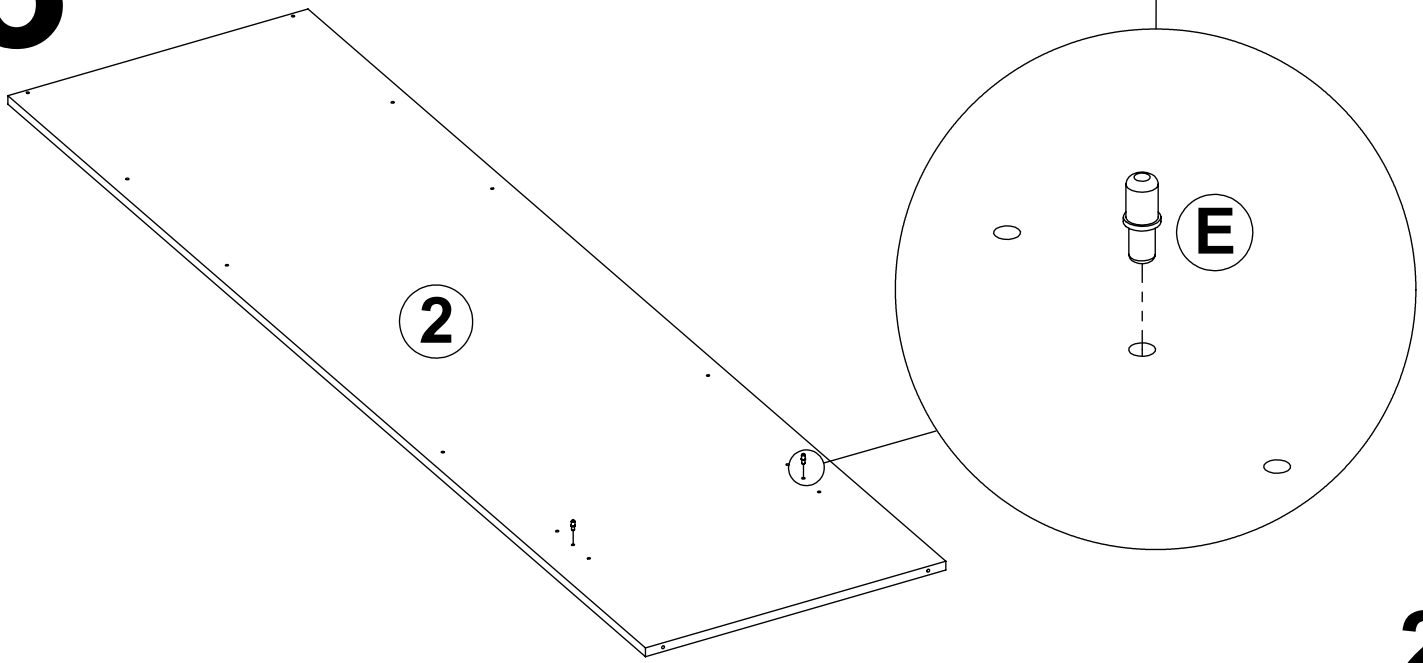
1



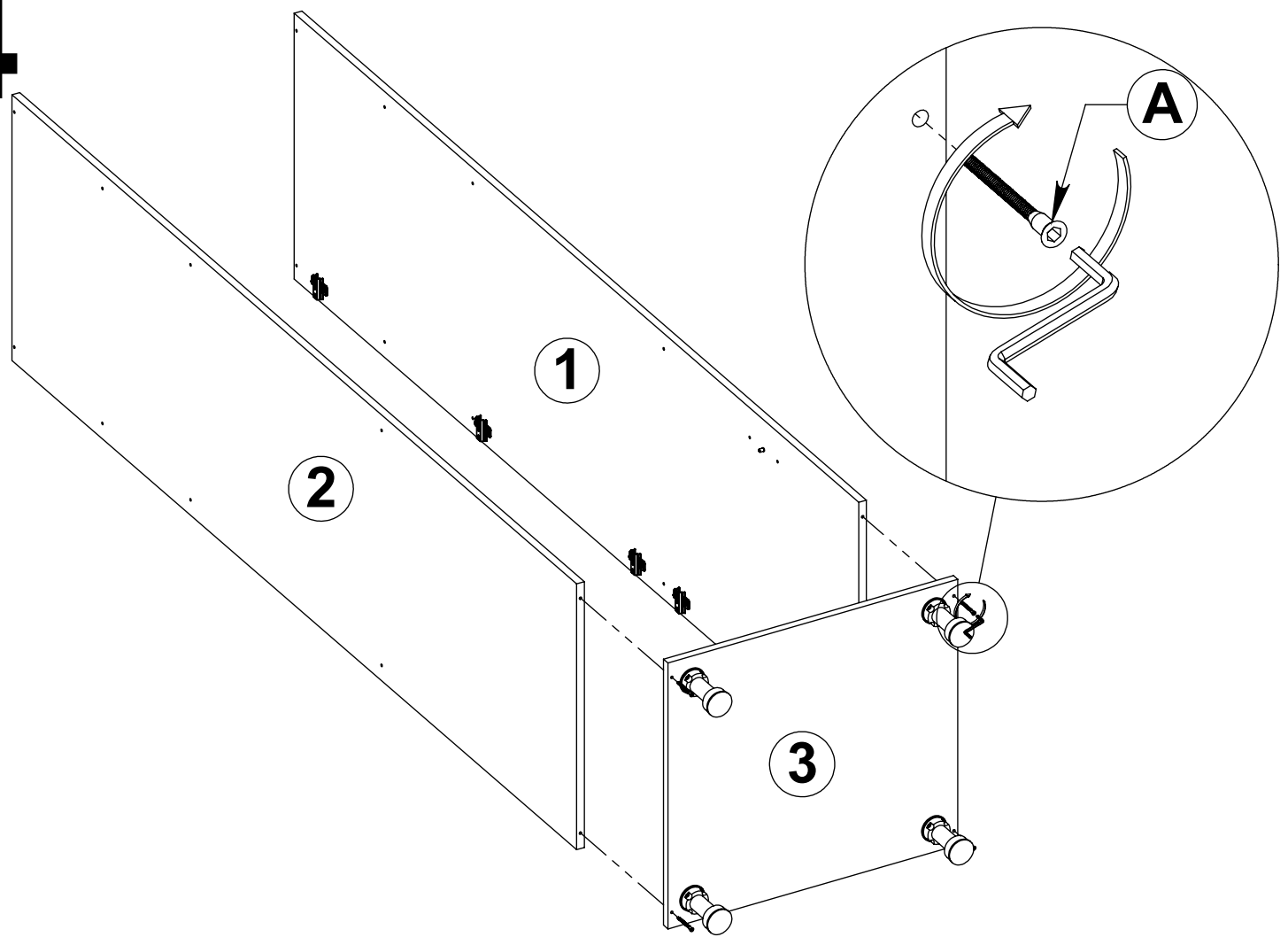
2



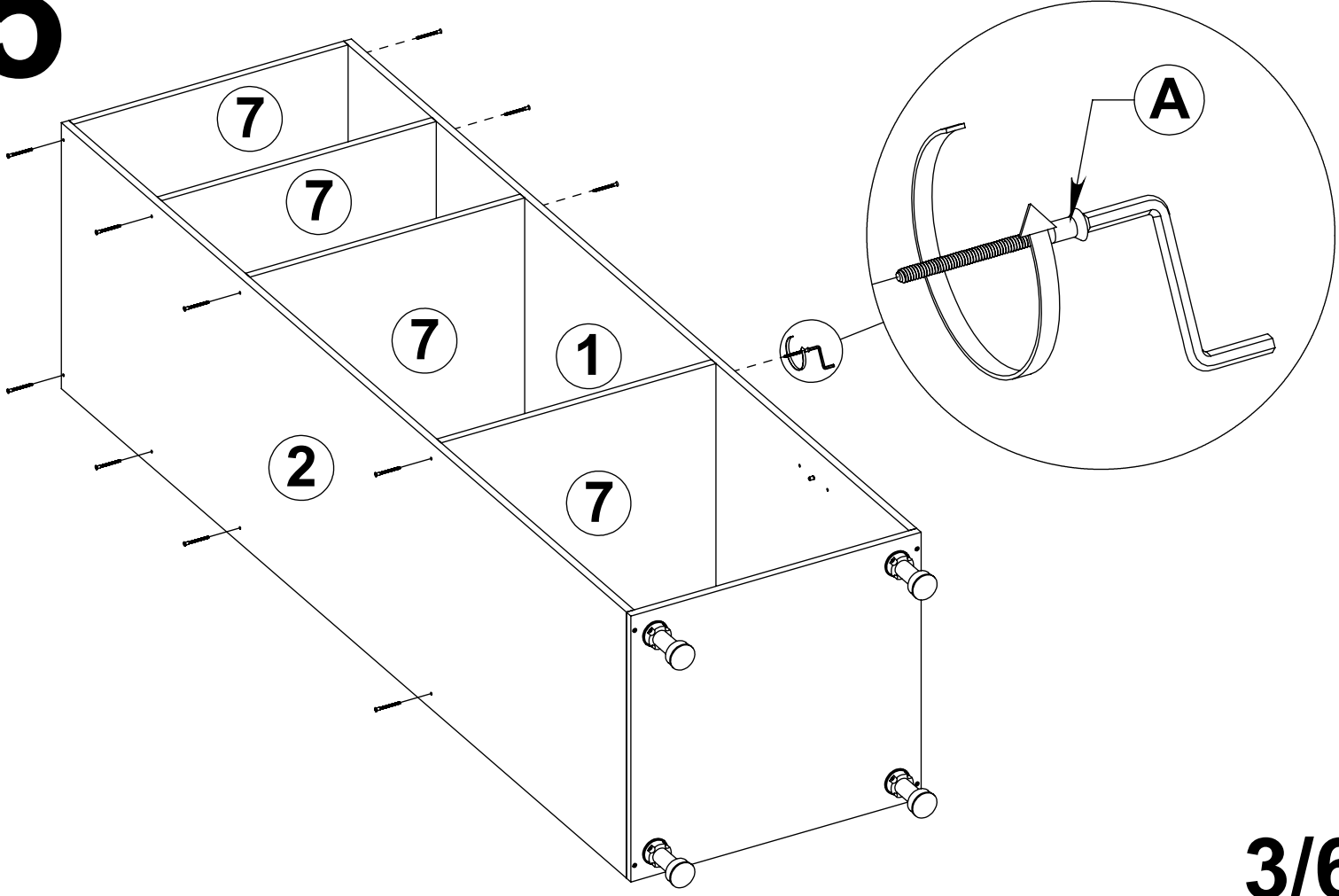
3



4

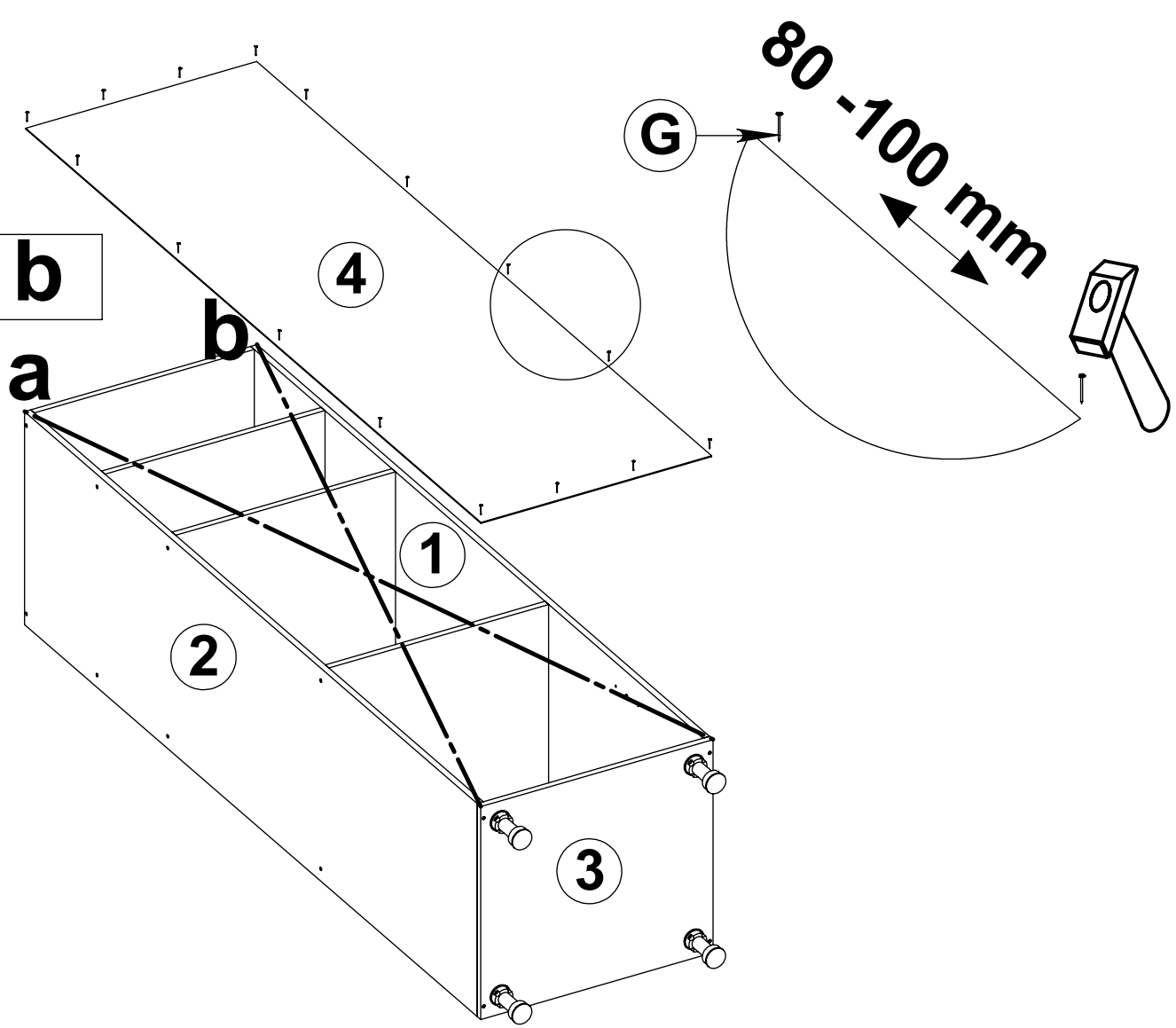


5

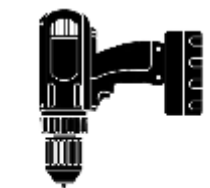


6

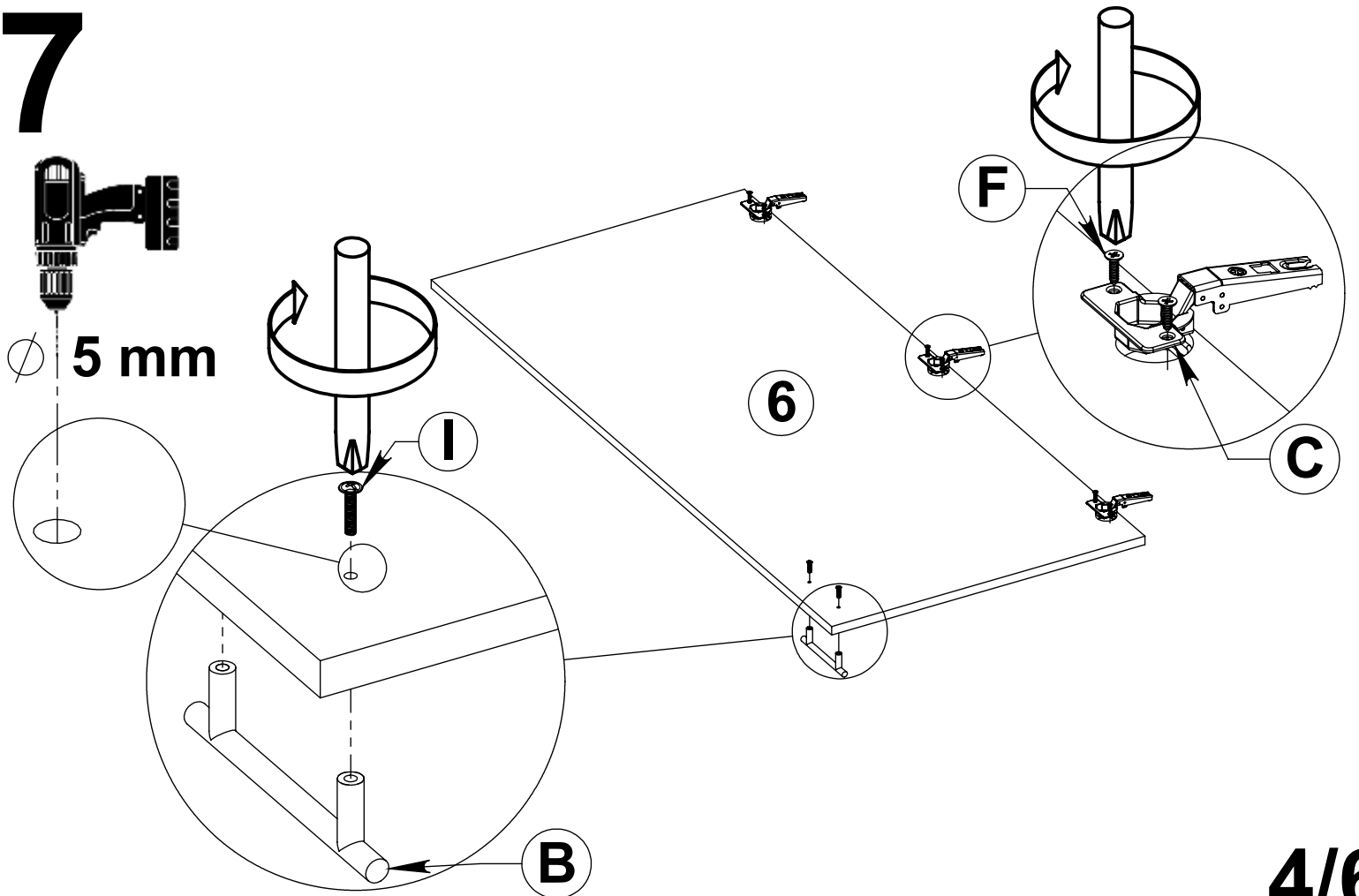
$a = b$



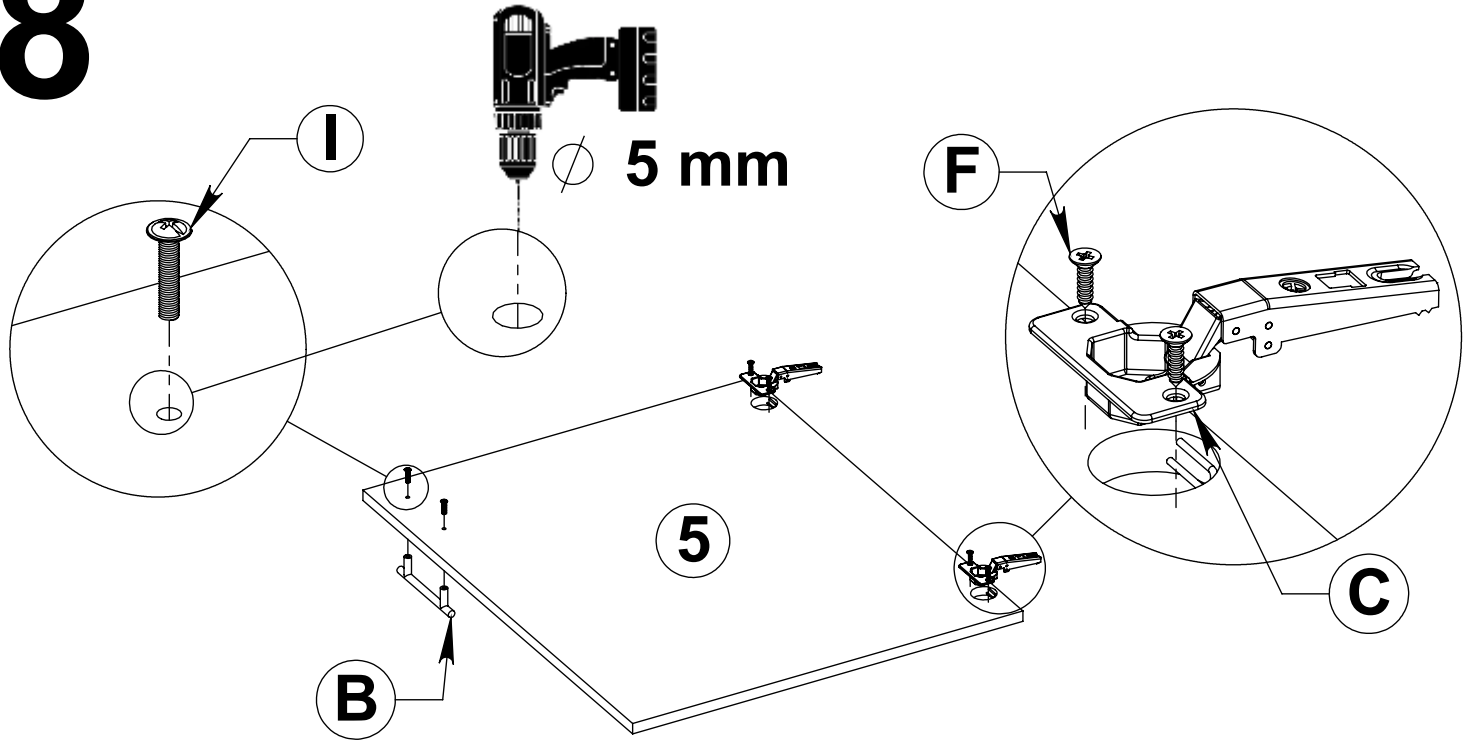
7



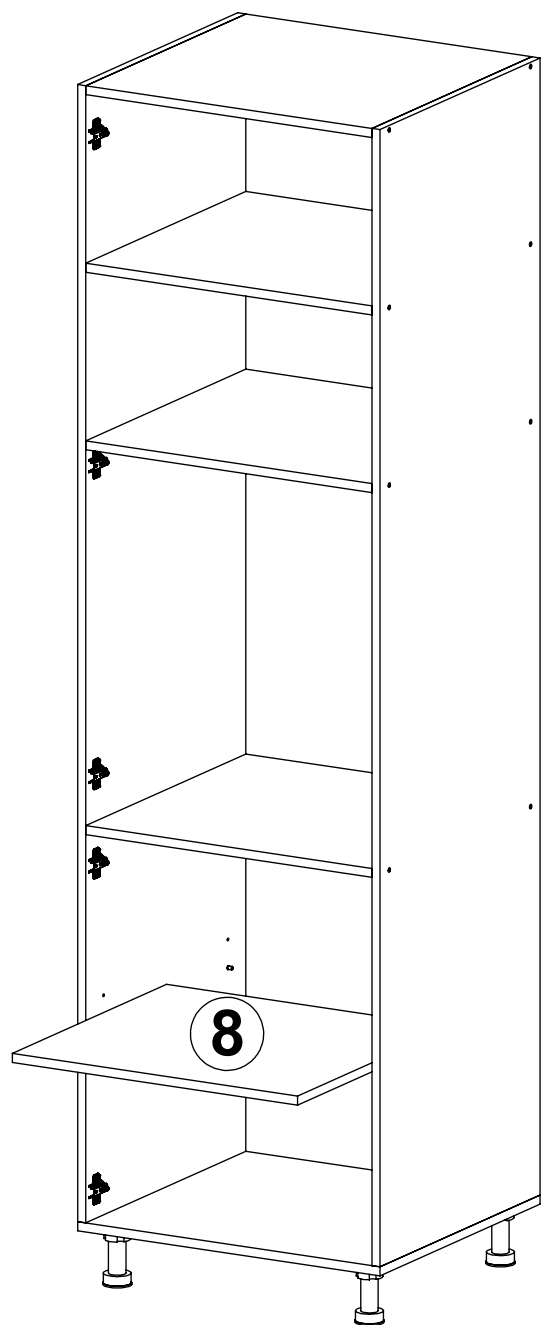
\varnothing 5 mm



8



9



10

