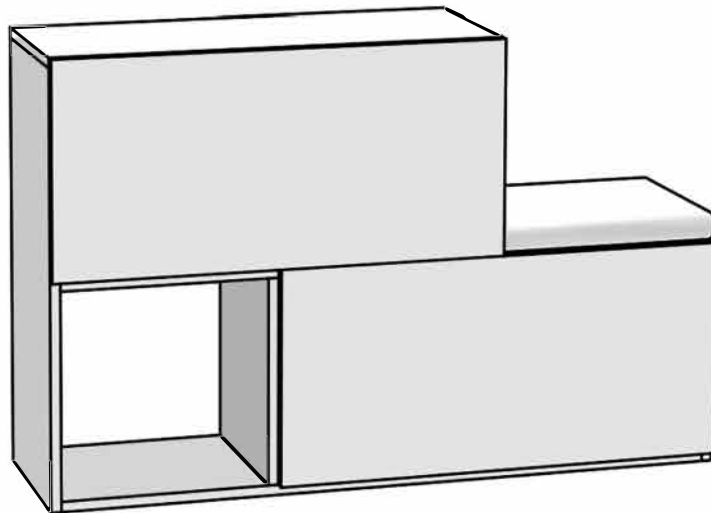
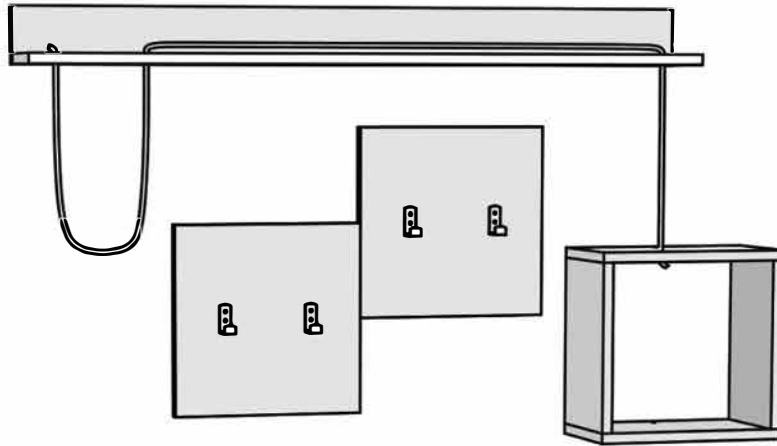


HOLDON

Assembly Manual



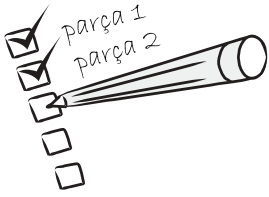
© 2015



Dear Customer,

We design and produce our product for people to love and have fun with them as we do.

The product you bought was subjected to all sorts of tests and control before sending out to you.



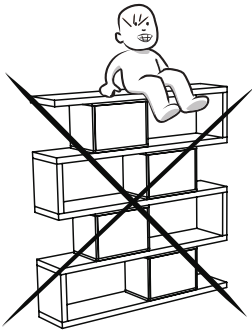
Before start assembling, please check the whole components and accessories according to the lists. If you bought more than one product, to prevent confusion be sure that you completed the first product. Then start the other product's assembling.



Before start assembling, please clean all the components with a damp cloth. Also for usual cleaning, this will be enough.



Although all the products are produced and packed carefully, sometimes happen that some component is damaged during the transportation. In such a case please check the missing or damaged part and do not hesitate to contact us.



Do not use furniture for out of purposes. If you would like to use it, please contact us for further questions.

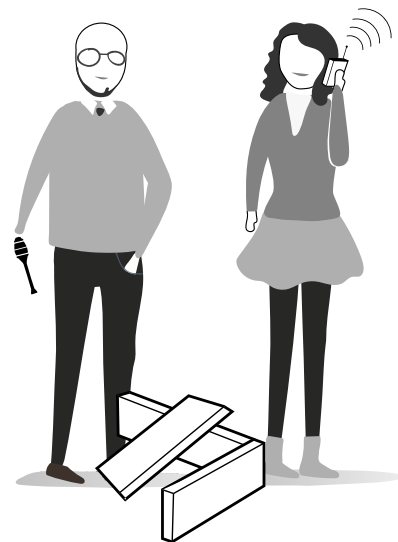
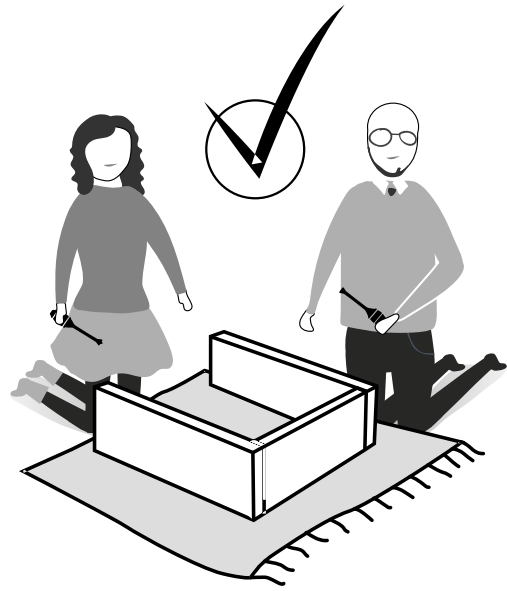
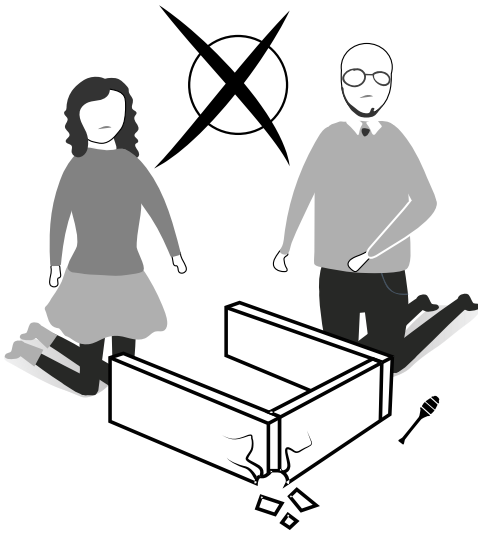
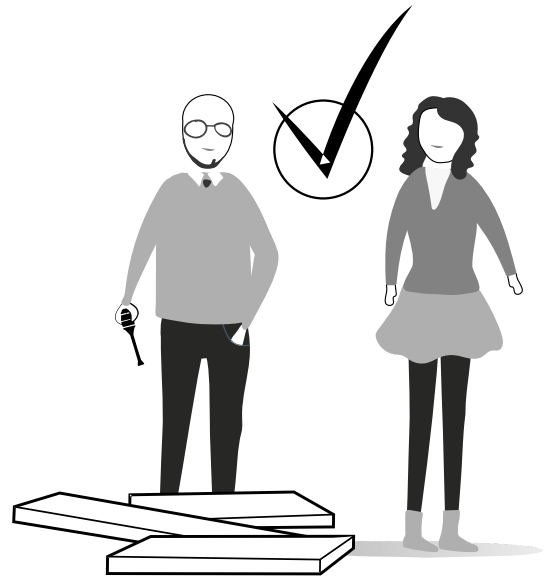
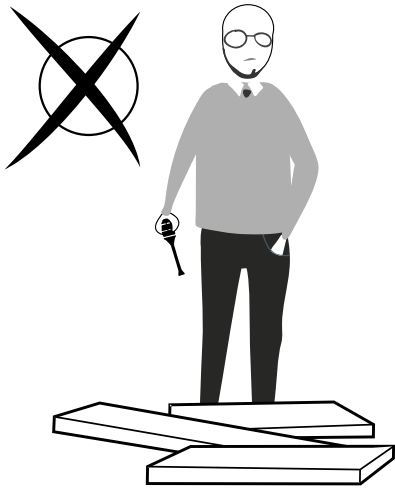
Do not directly contact your furniture with excessive heat, cold and humidity because the product can be affected.



WARNING

Serious or fatal crushing injuries can occur from furniture tip-over. To prevent this furniture from tipping over it must be permanently fixed to the wall with the included wall attachment devices.

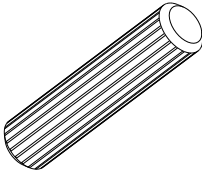
Fixing devices for the wall are not included since different wall materials require different types of fixing devices. Use fixing devices suitable for the walls in your home. For advice on suitable fixing systems, contact your local specialized dealer.



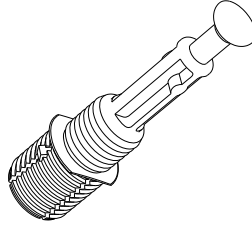
ATTENTION !!

Minifix is the main connection material used in Decortie products. Before starting assembly, please check the drawings below.

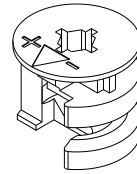
A04



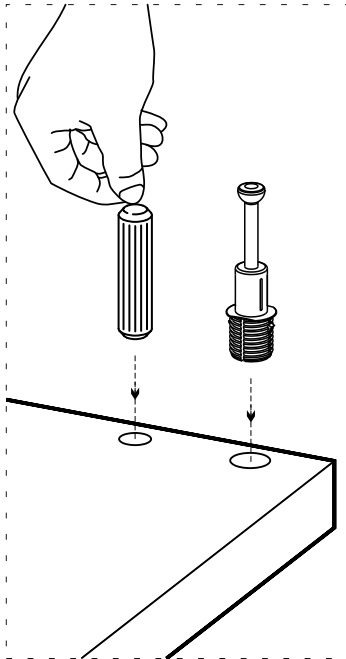
A23



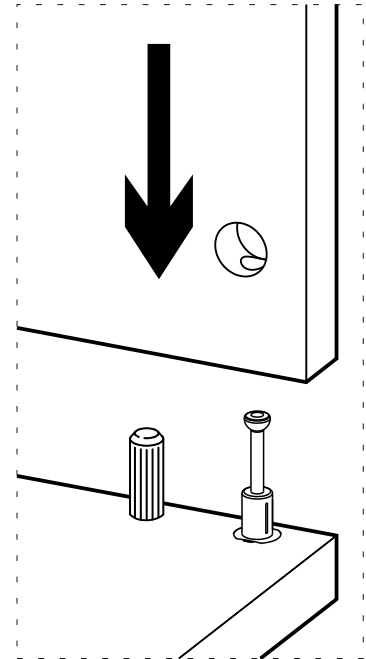
A22



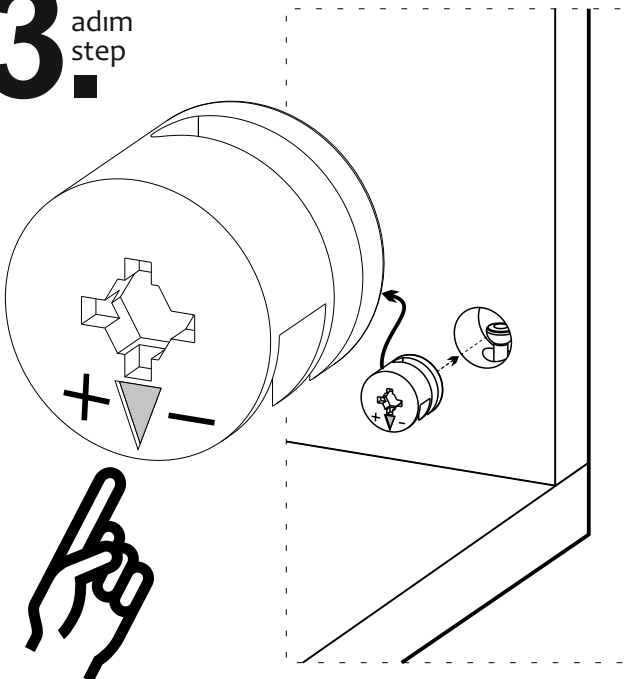
1. adim step



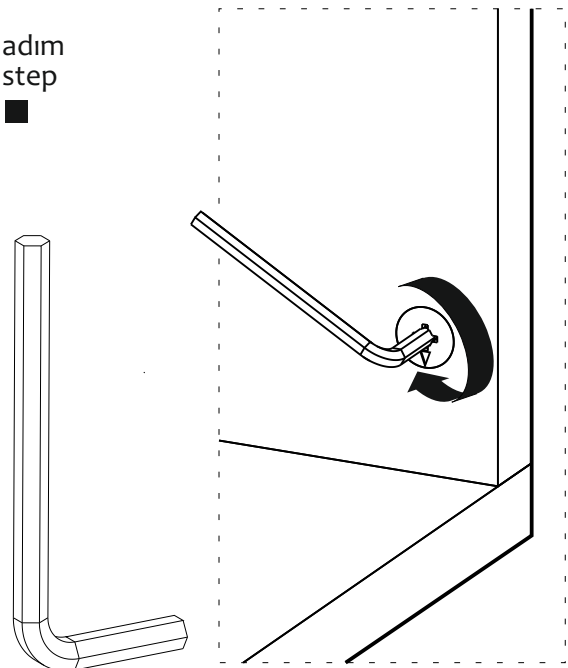
2. adim step



3. adim step



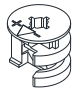


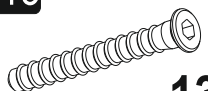

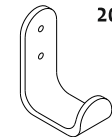




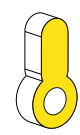
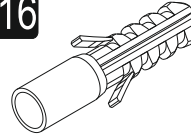

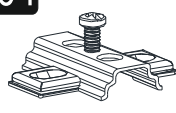
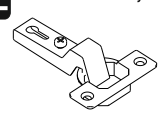
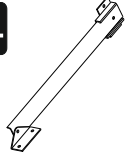
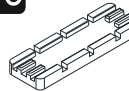


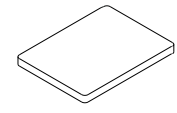
4. adim step



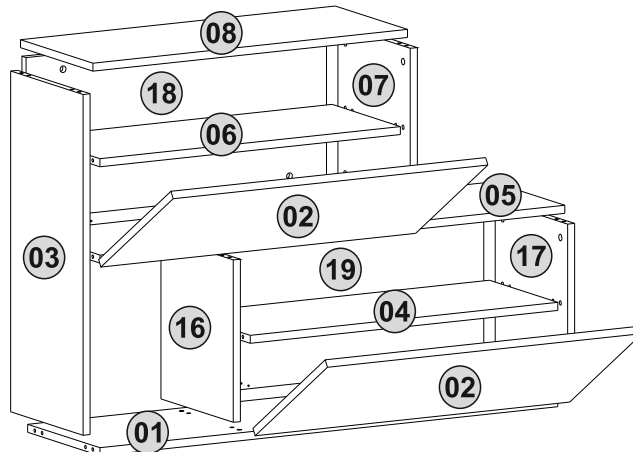
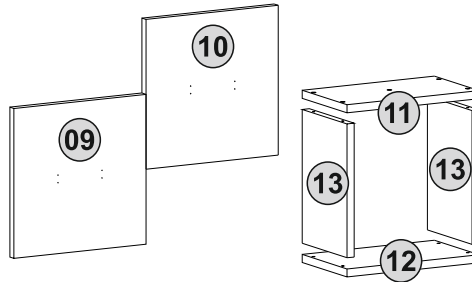
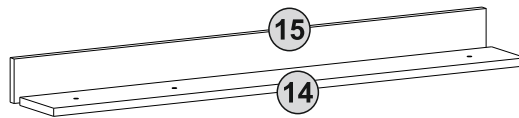
This module should be assembled by two people.



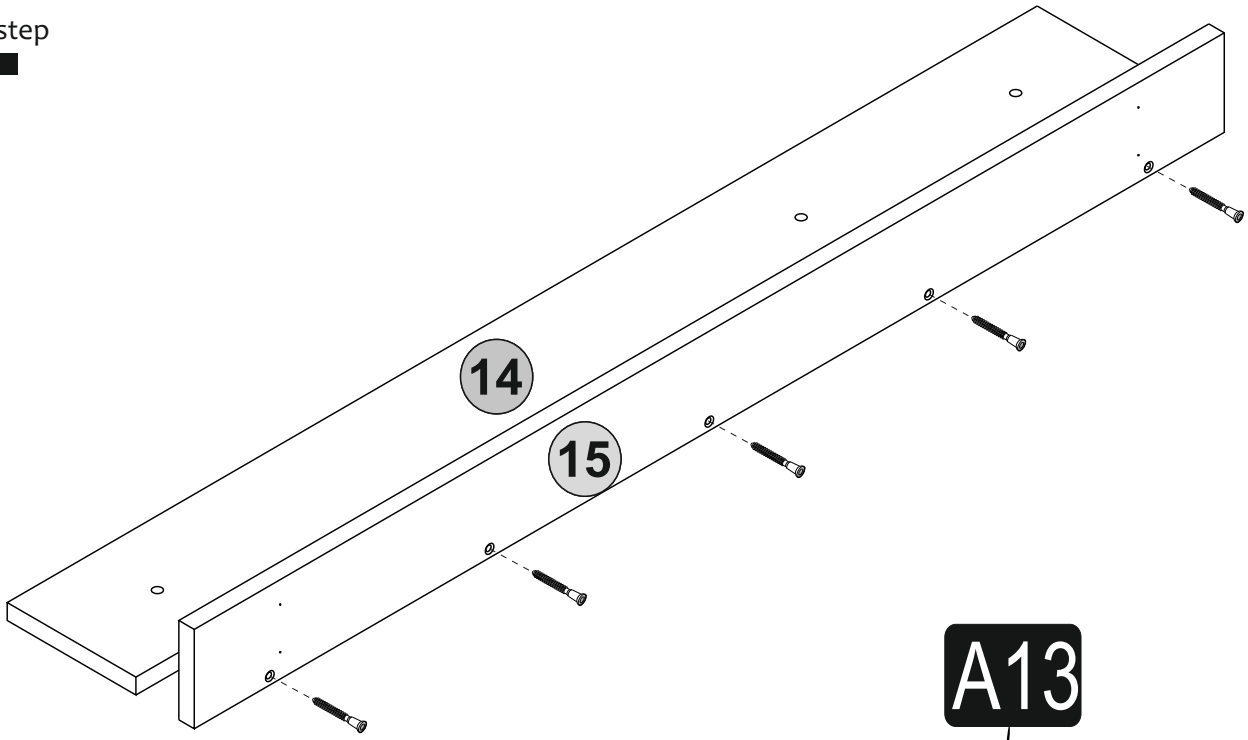
ACCESSORY LIST

A22 Minifix k18  34x	A23 Minifix M10  34x	A04 Ø8  34x	A13 50 mm  13x	A12 4 SW  2x
Z39 20X30X45  4x	A50 3,5x16 (Black)  8x	A32 15x45  8x	A18 3,5x18  36x	A11 3,5x30  4x
Z18 Gbdy  8x	A16 Ø8  8x	A17 4x50  8x	C04 Ma  4x	C02 Tam Deve Boynu Mentese  4x
Z44 20  2x	A08 5 mm  6x	A06 18 mm  38x C1	Z45 2,5 mt  1x	40x32  1x

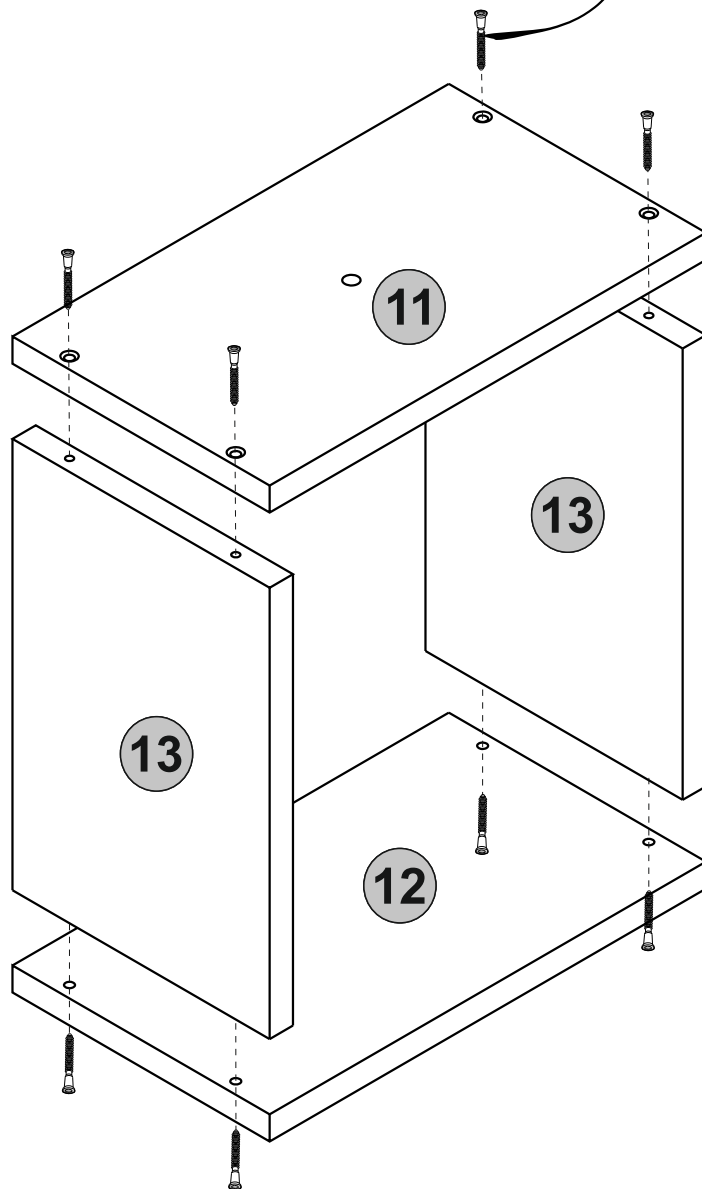
GENERAL VIEW



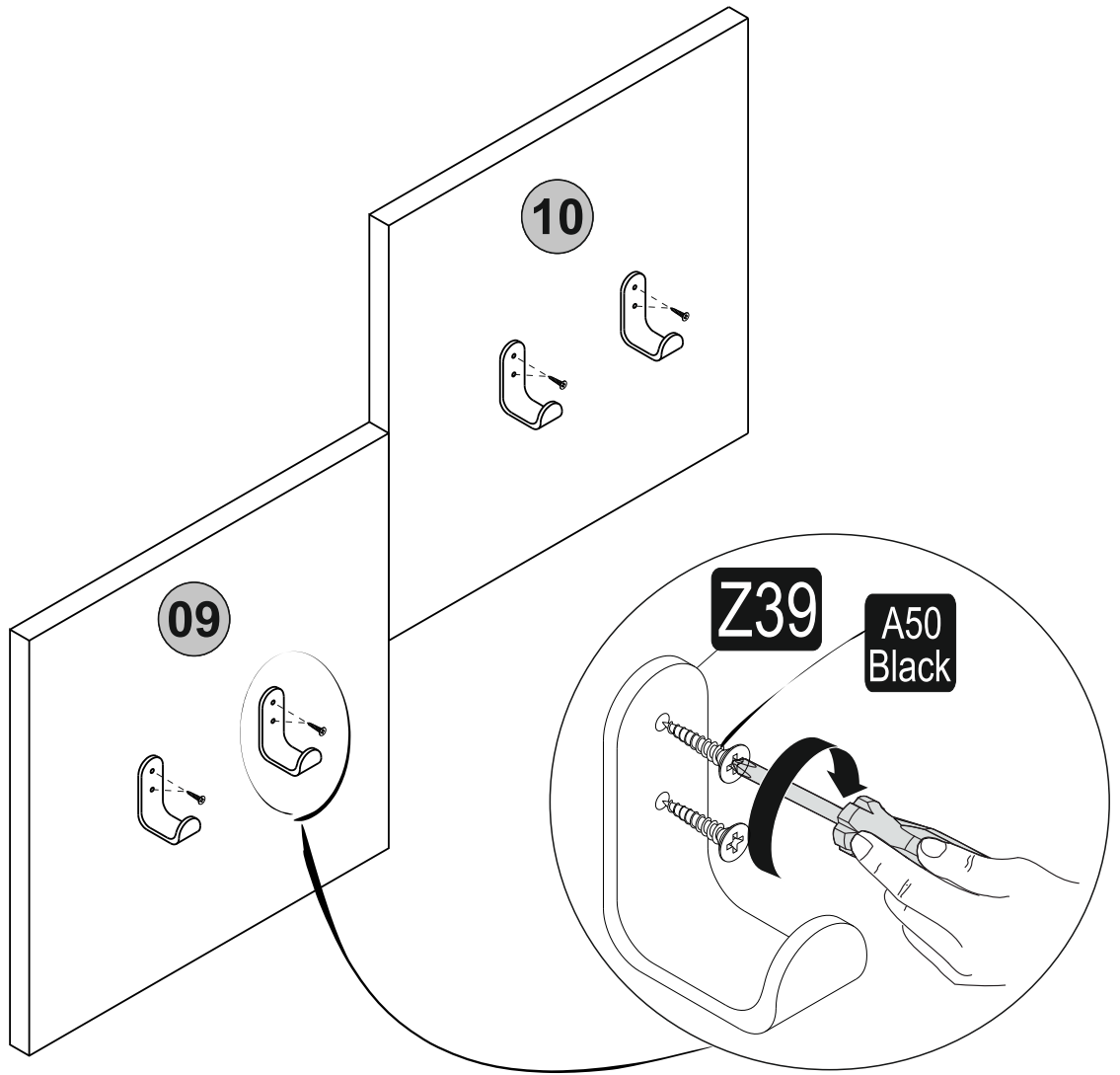
1. step



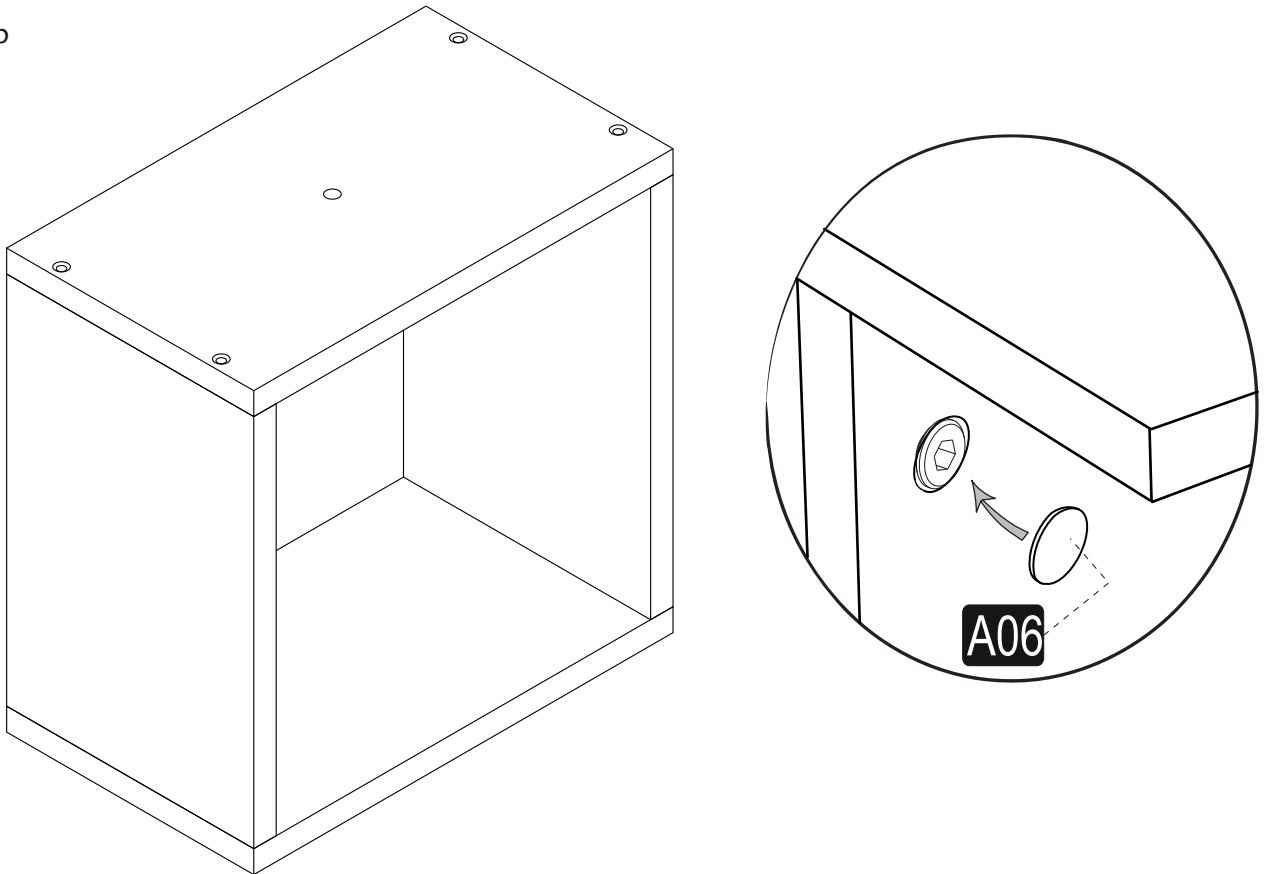
2. step



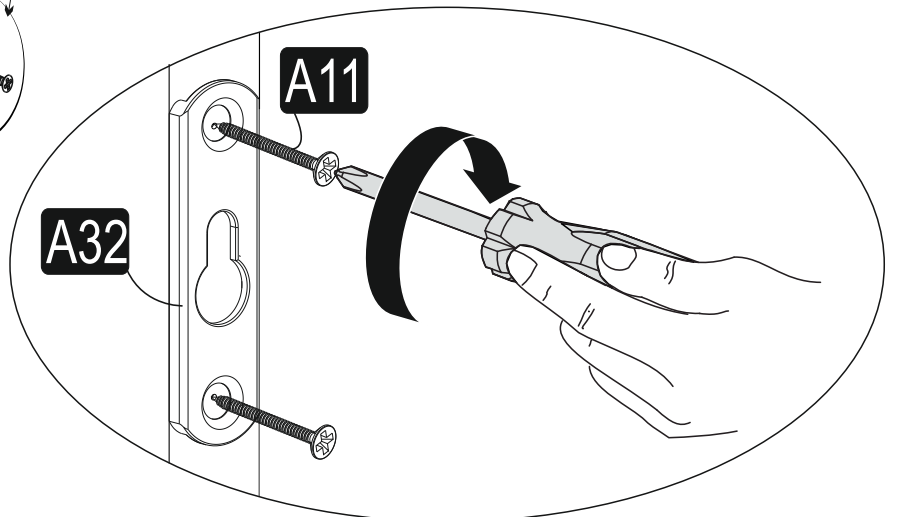
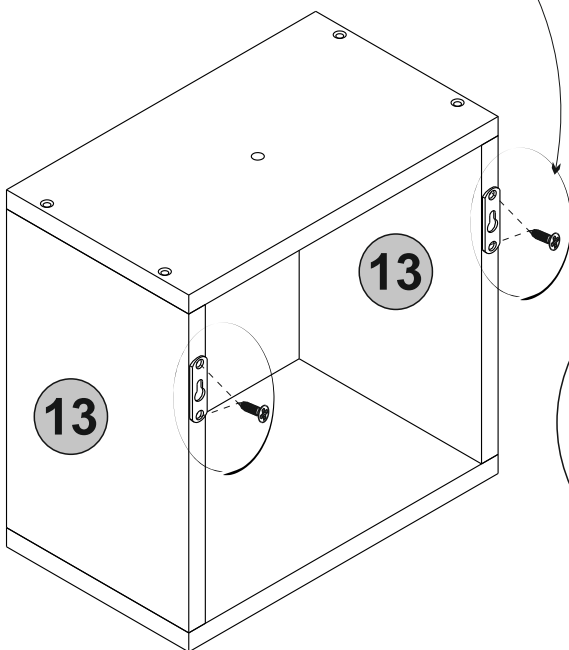
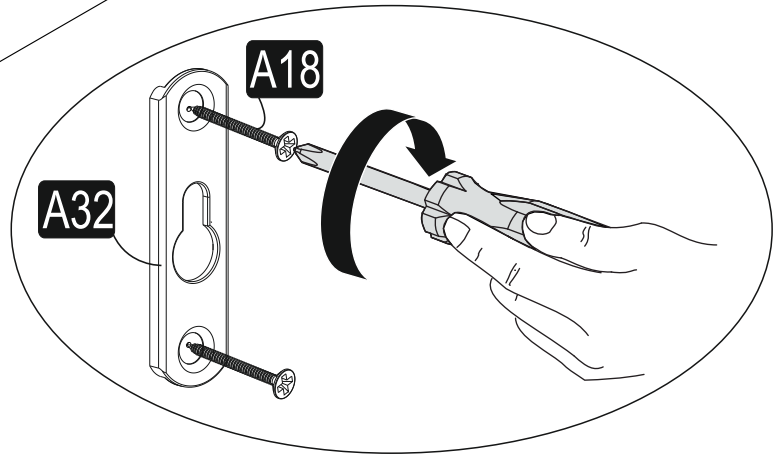
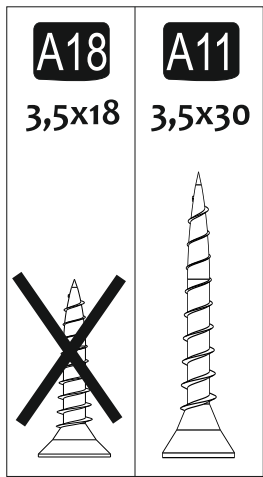
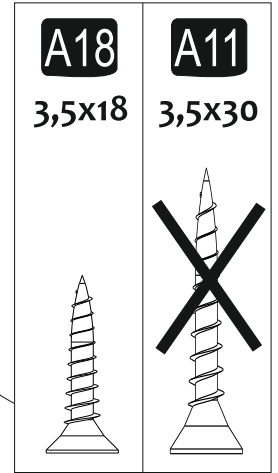
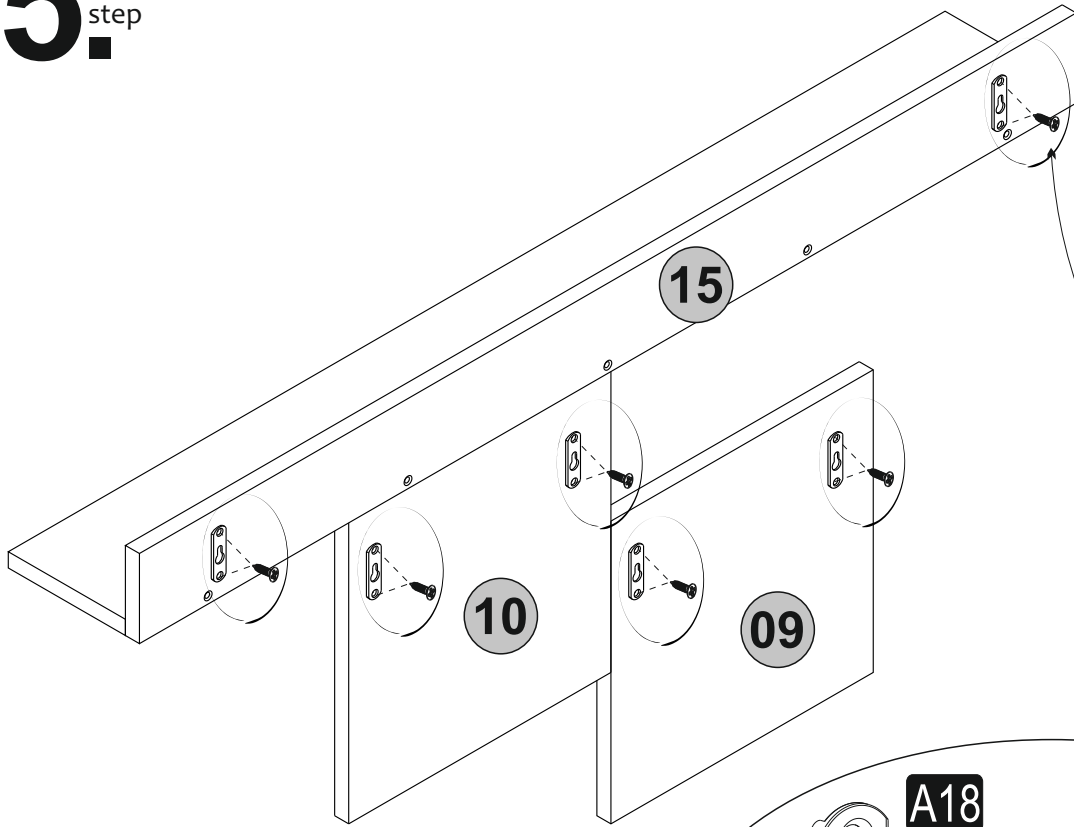
3_{step}



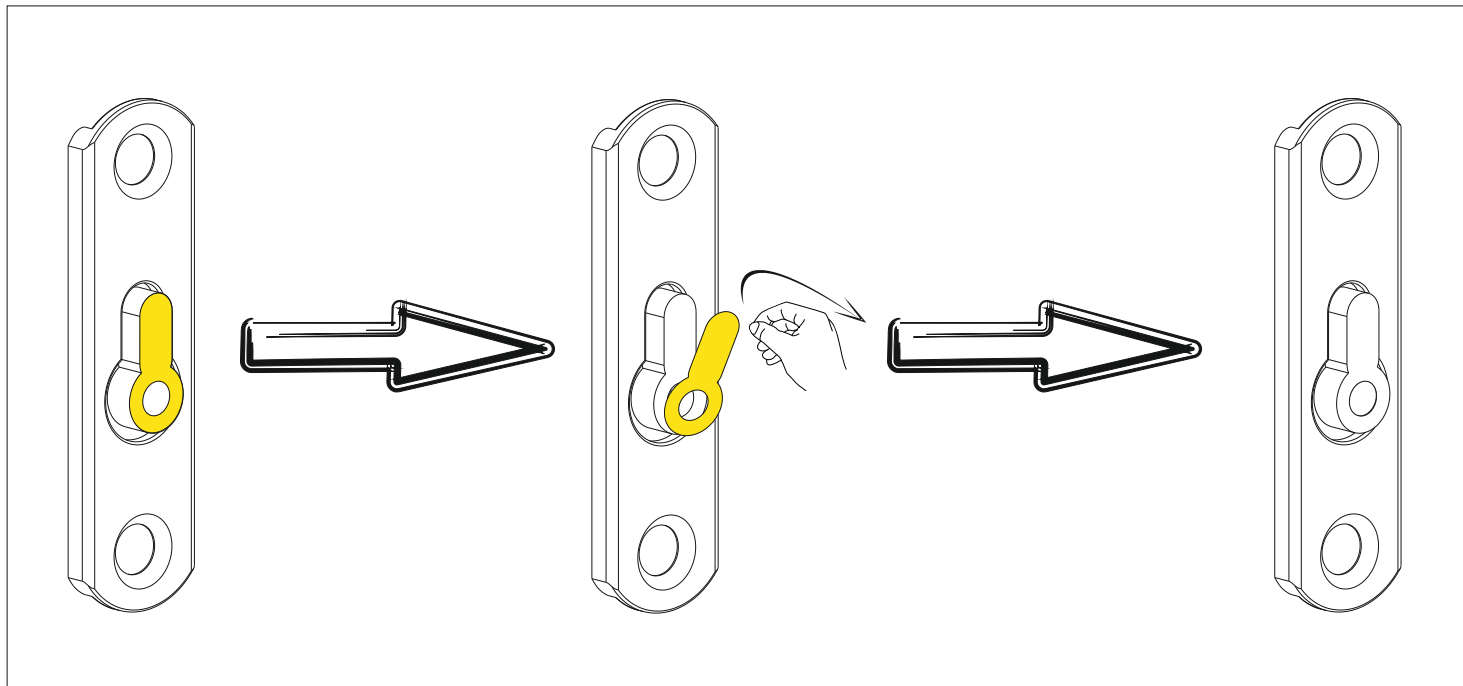
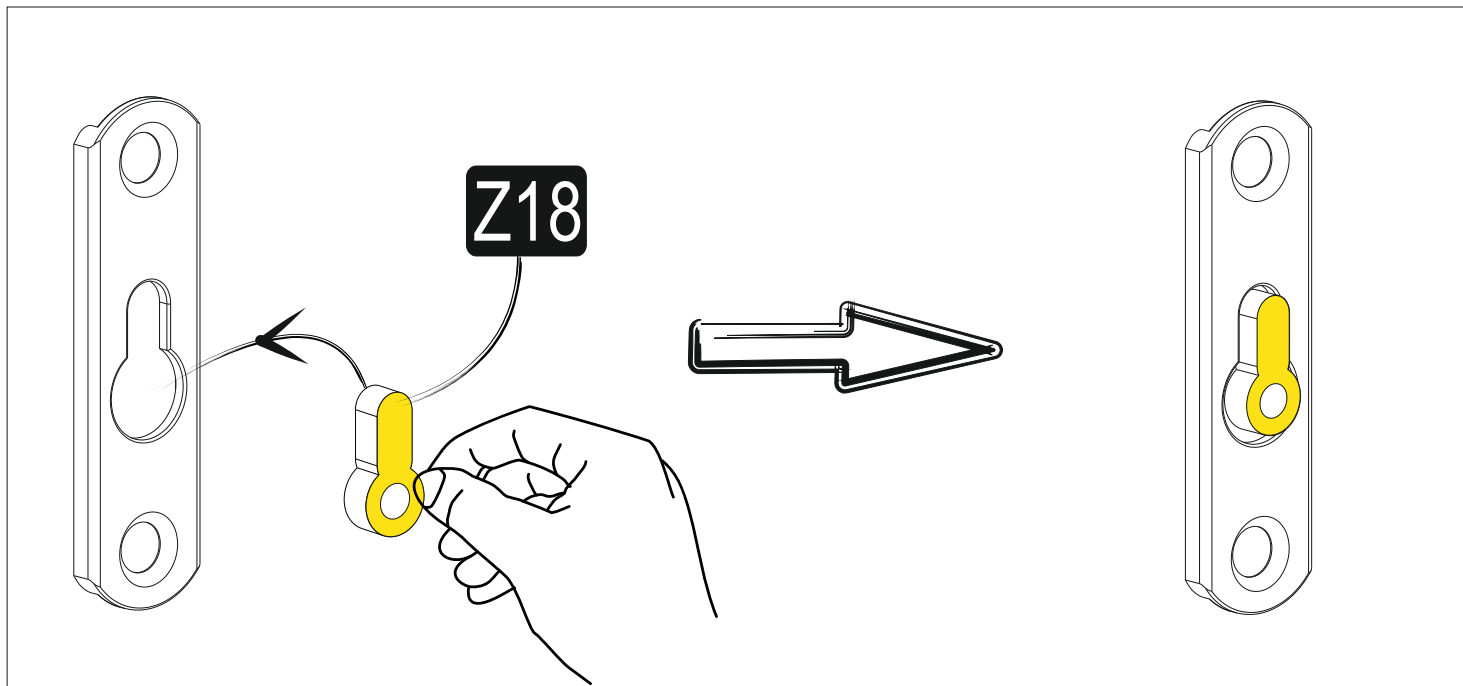
4_{step}



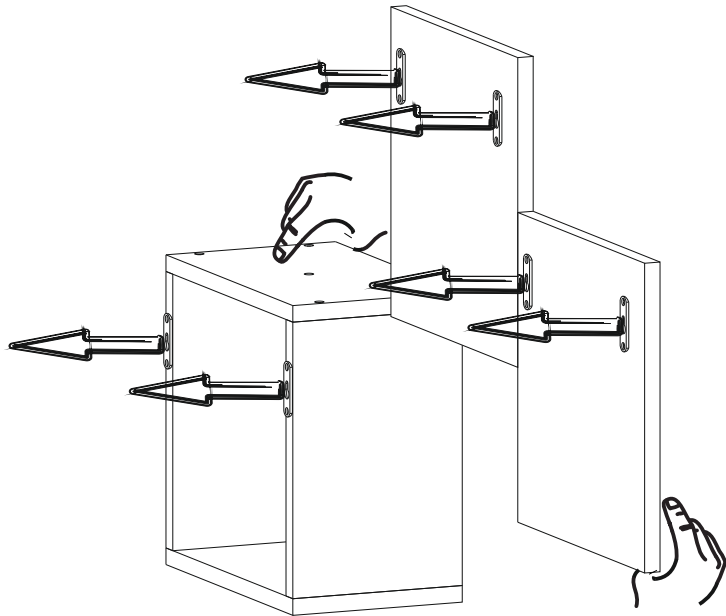
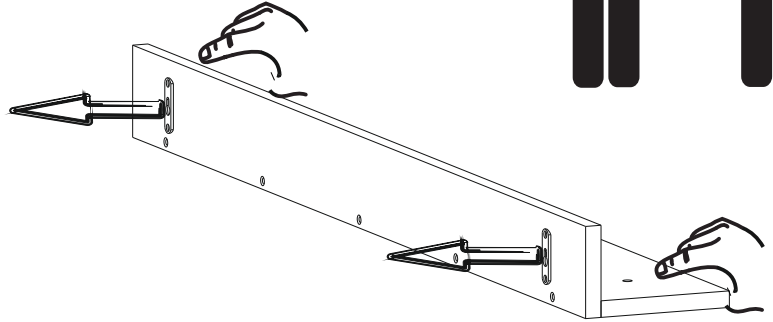
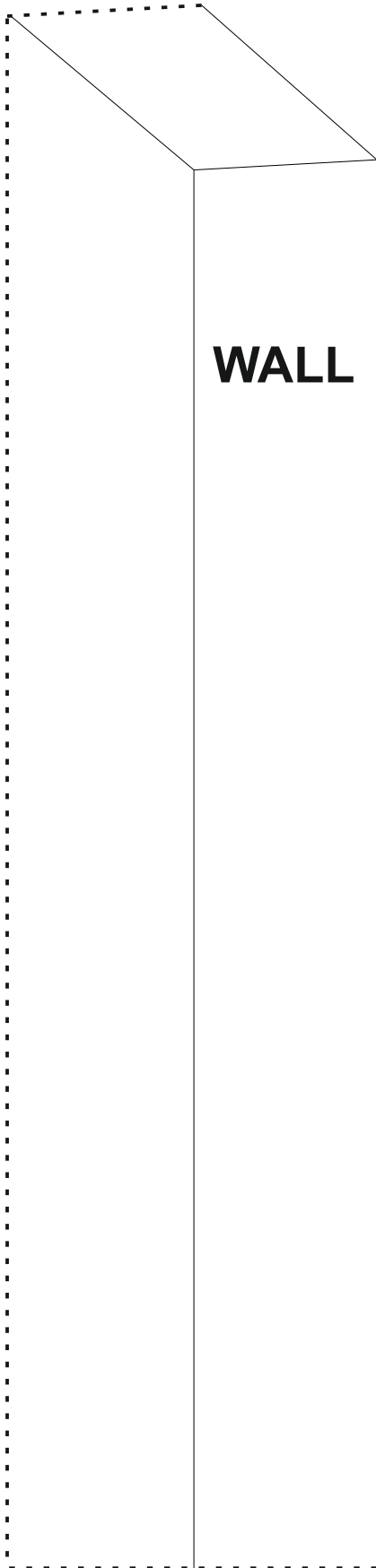
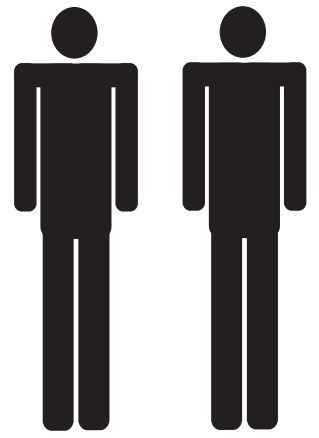
5^{step}



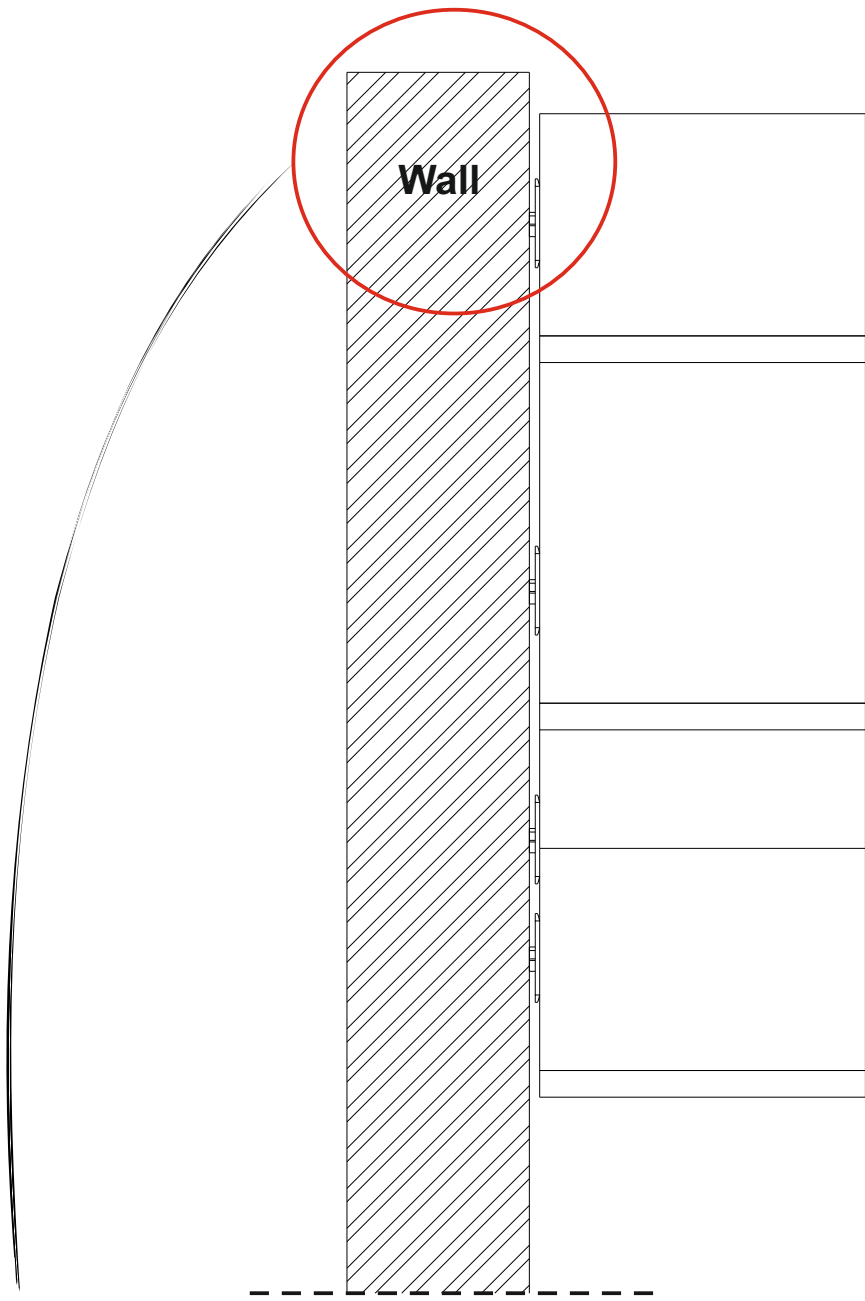
6^{step}



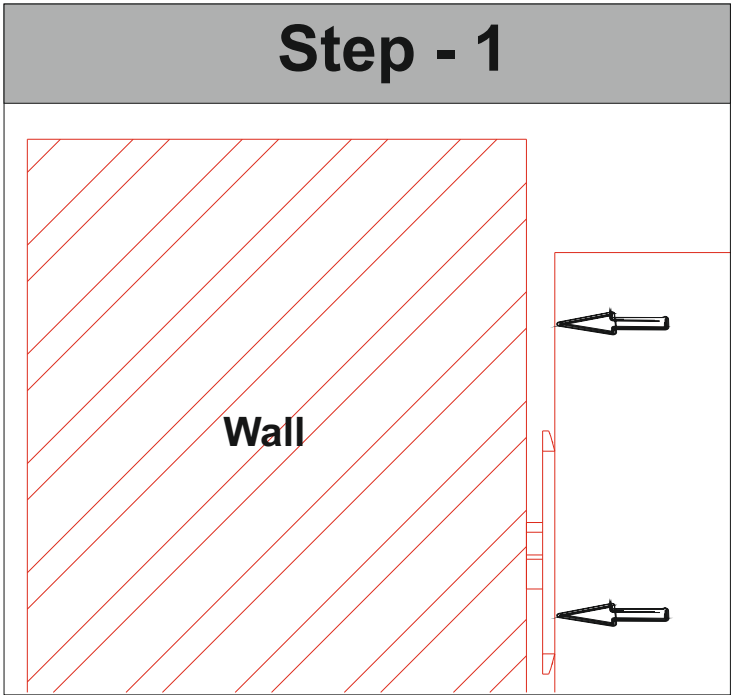
7 step



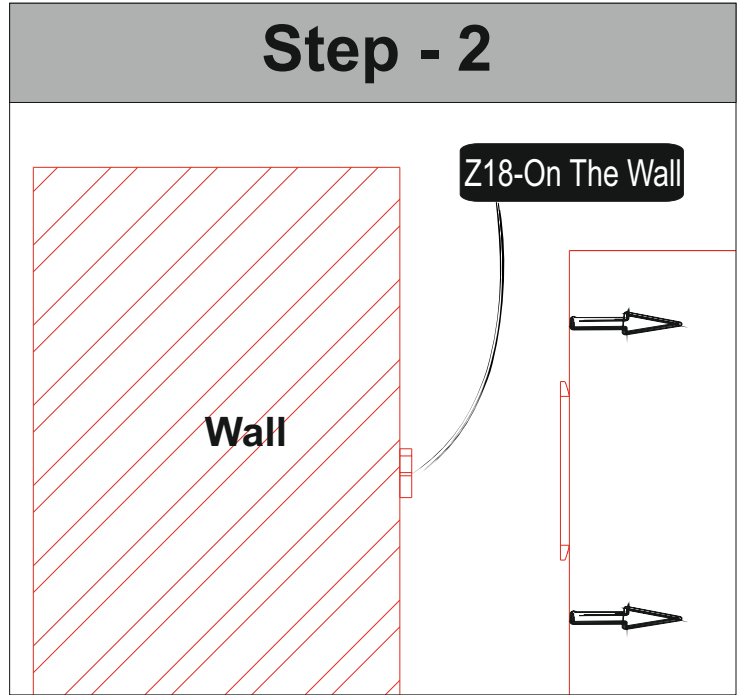
8^{step}



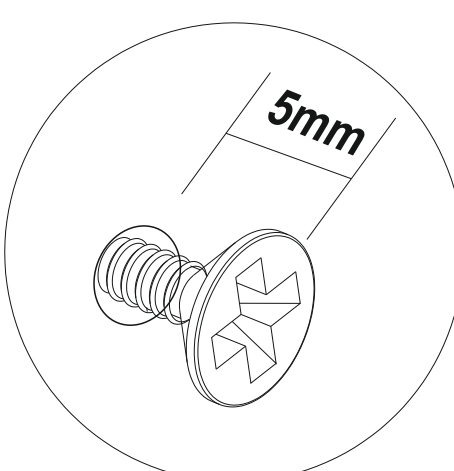
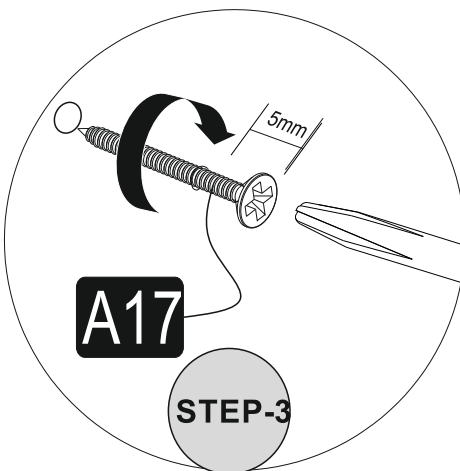
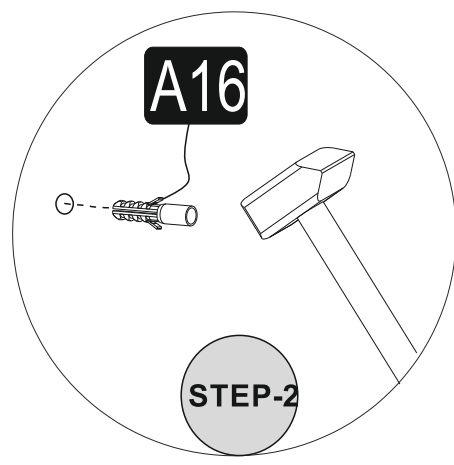
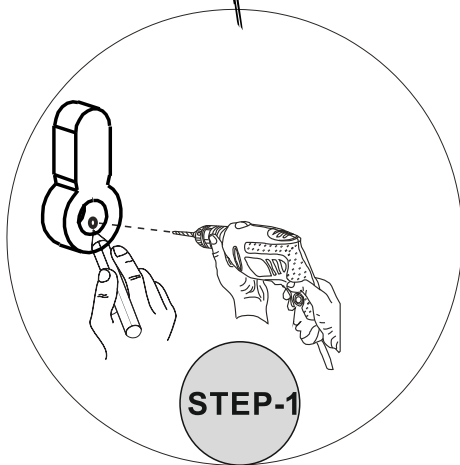
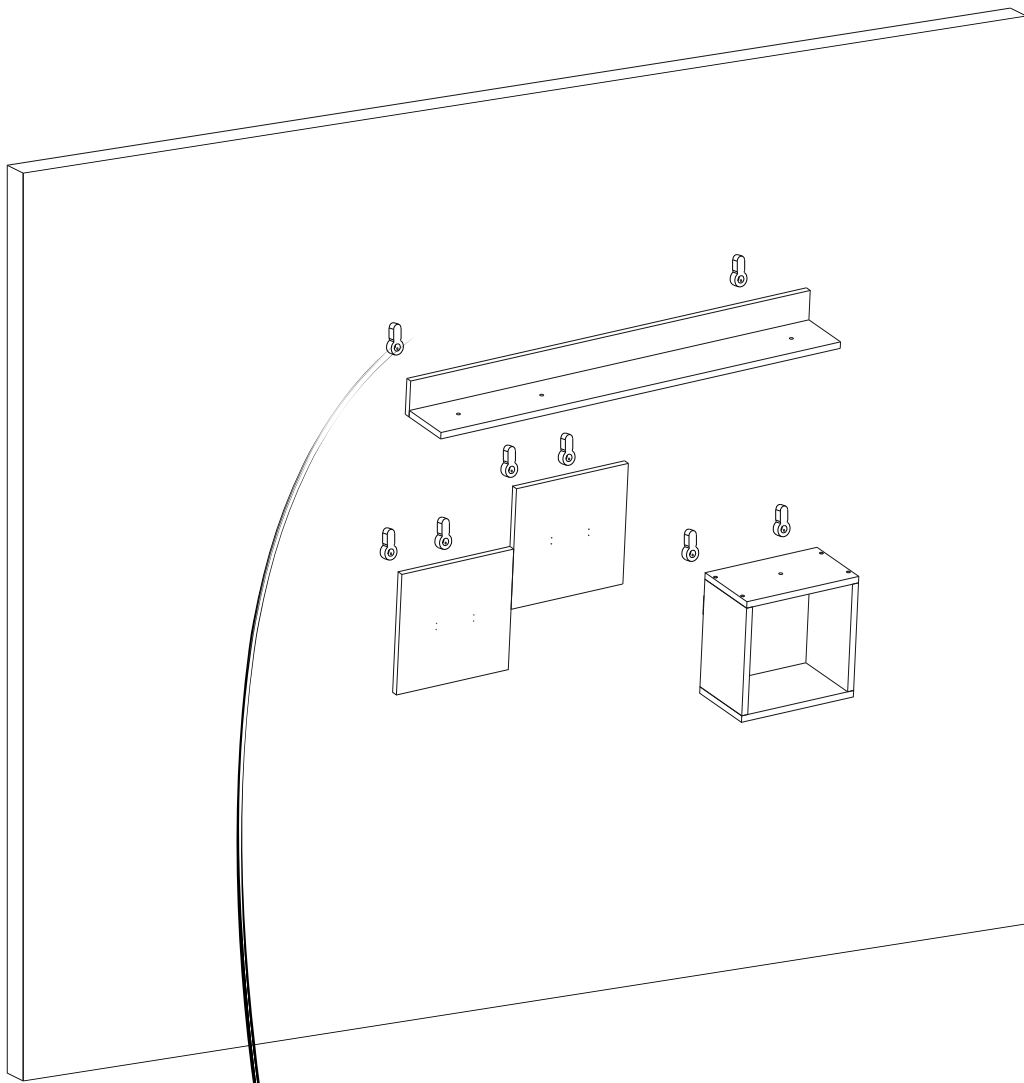
Step - 1



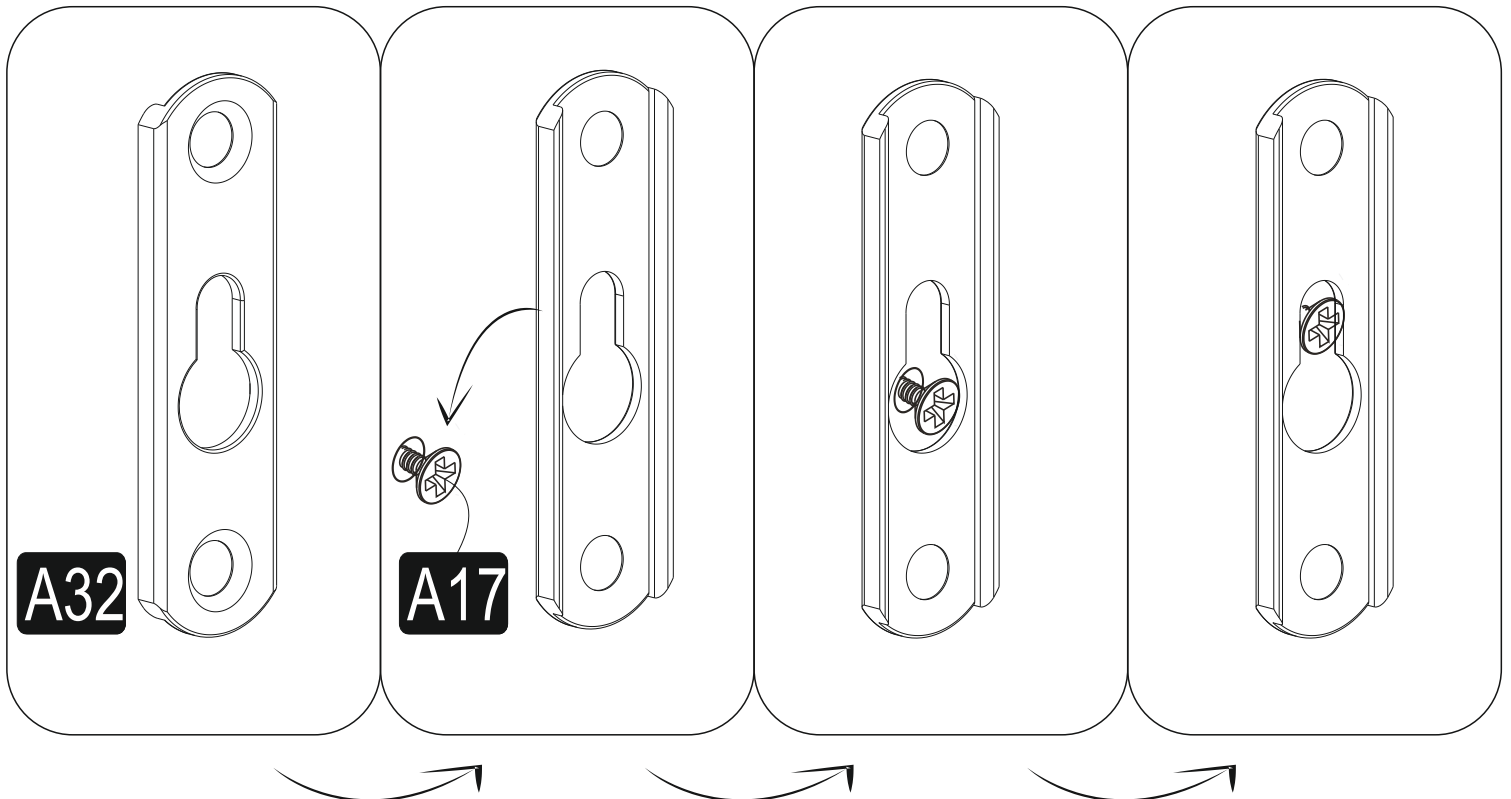
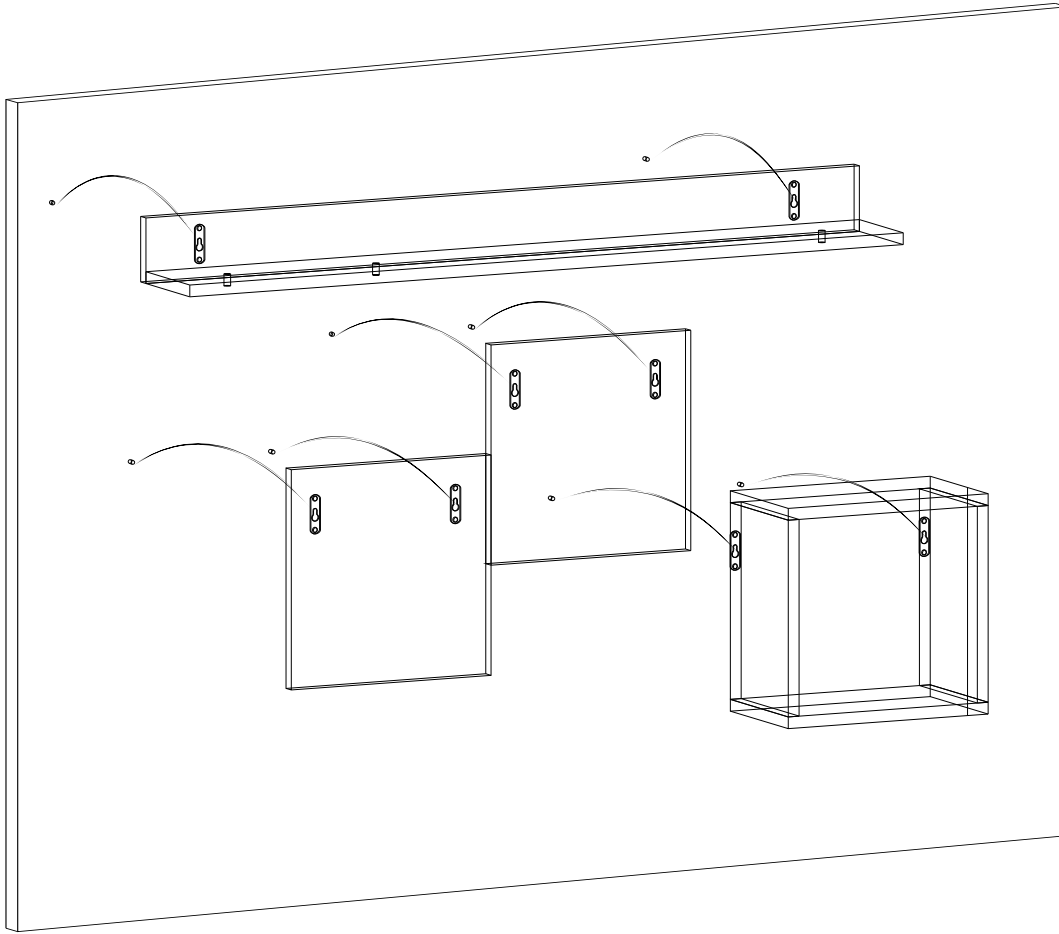
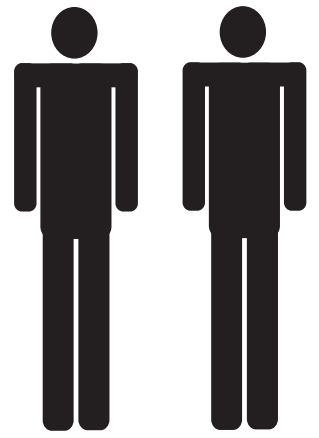
Step - 2



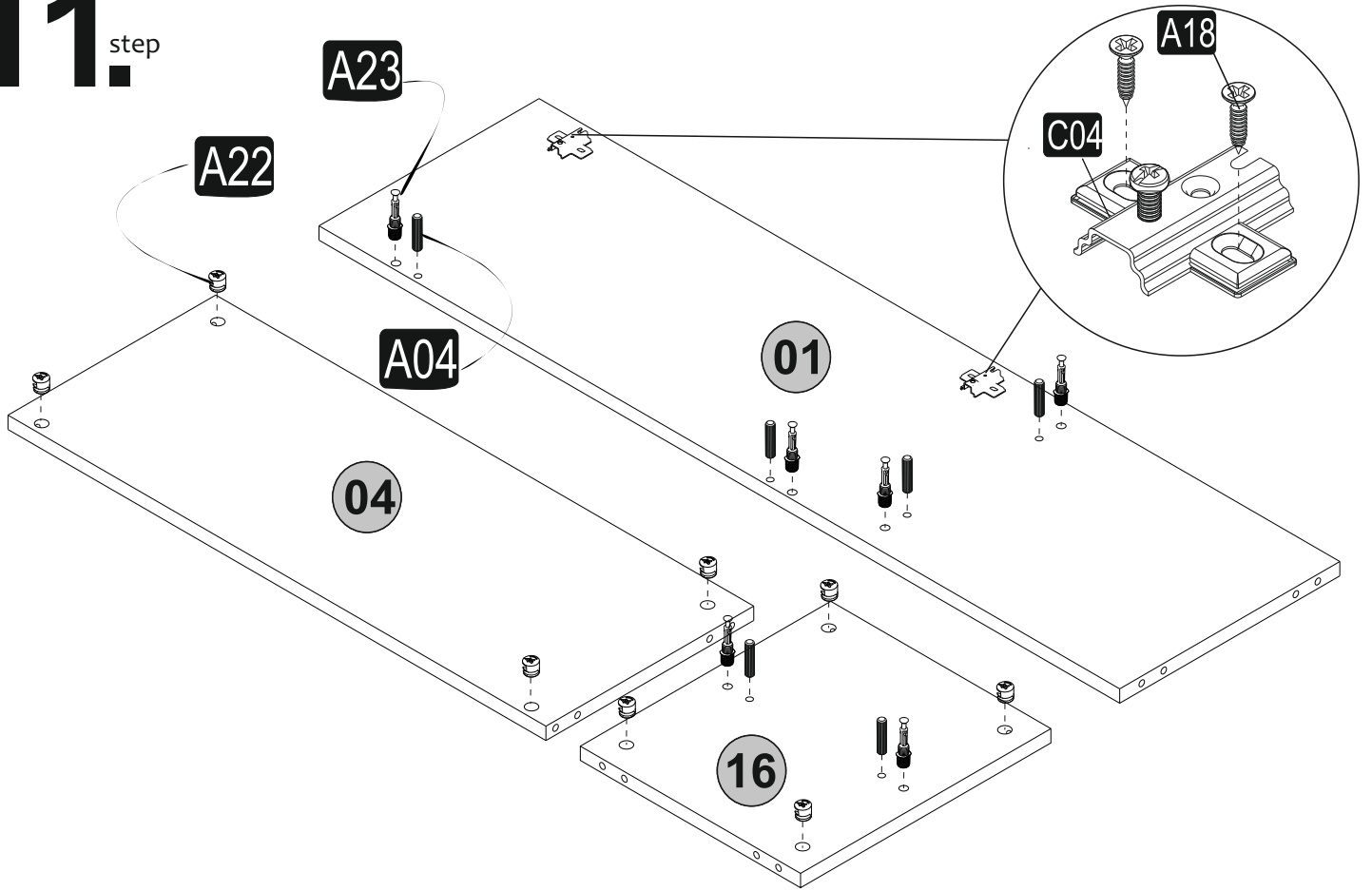
9^{step}



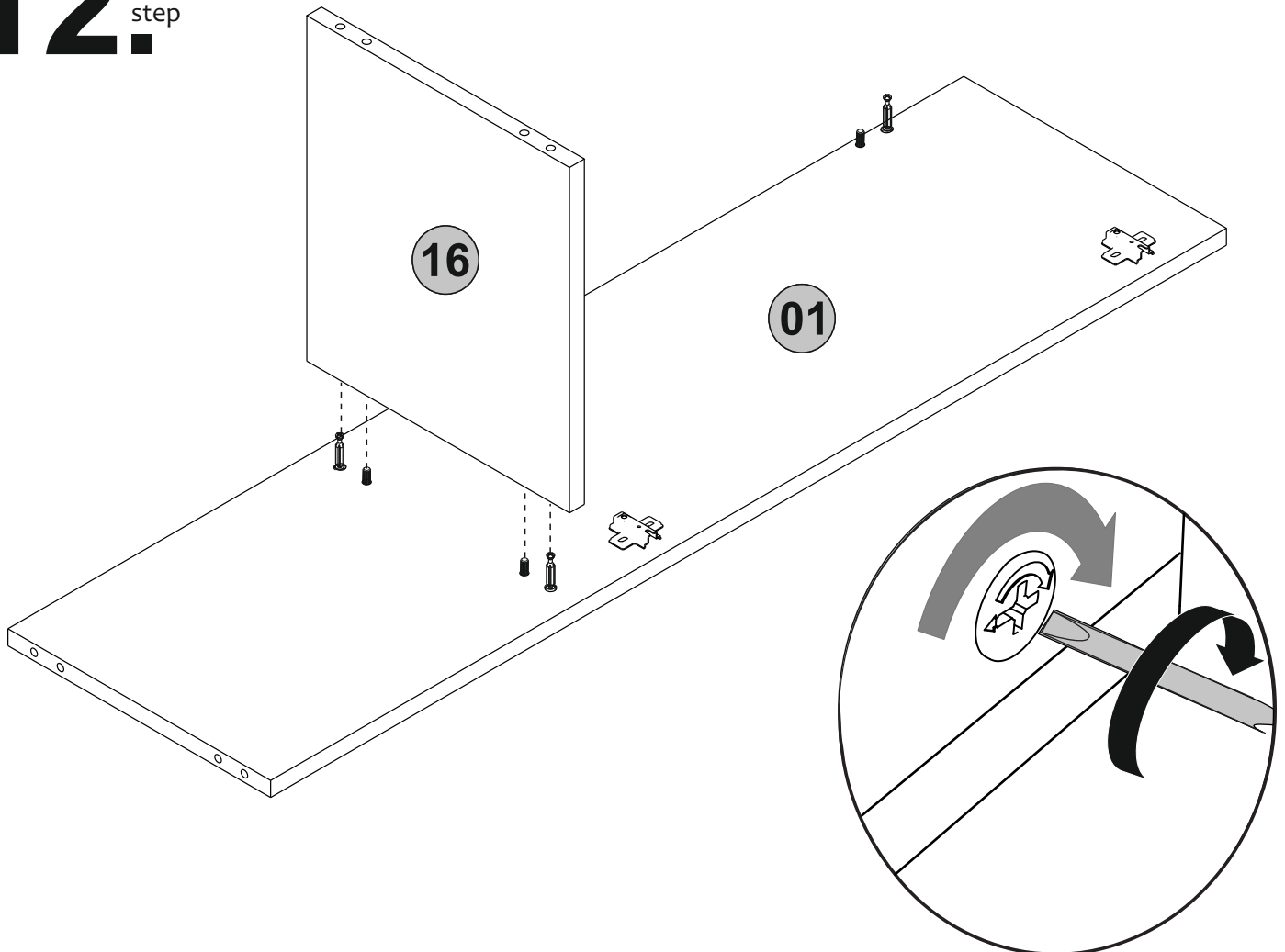
10. step



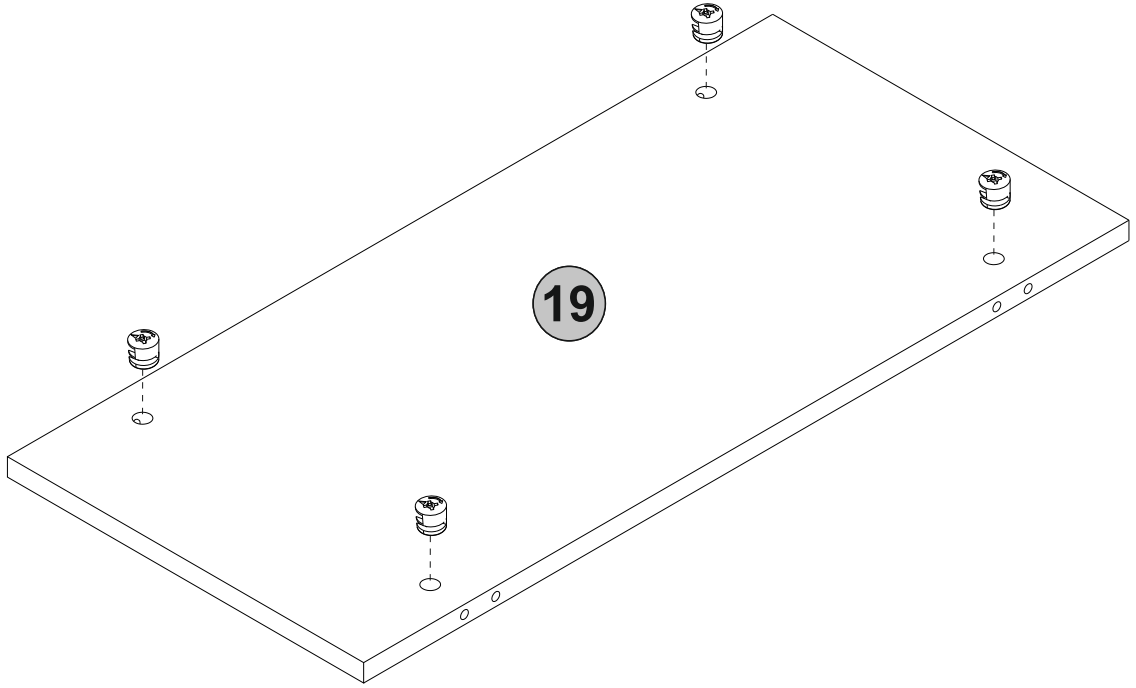
11. step



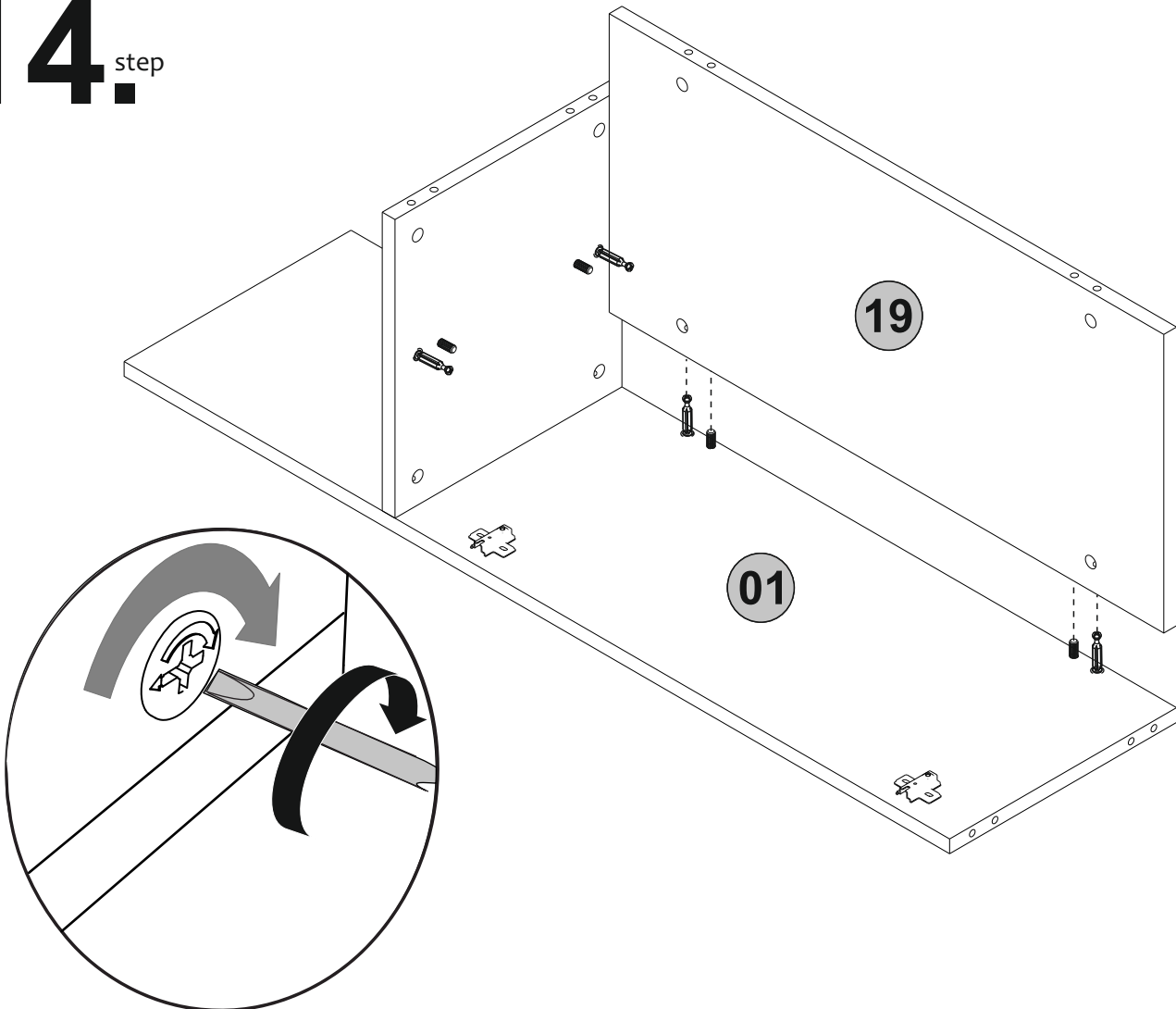
12. step



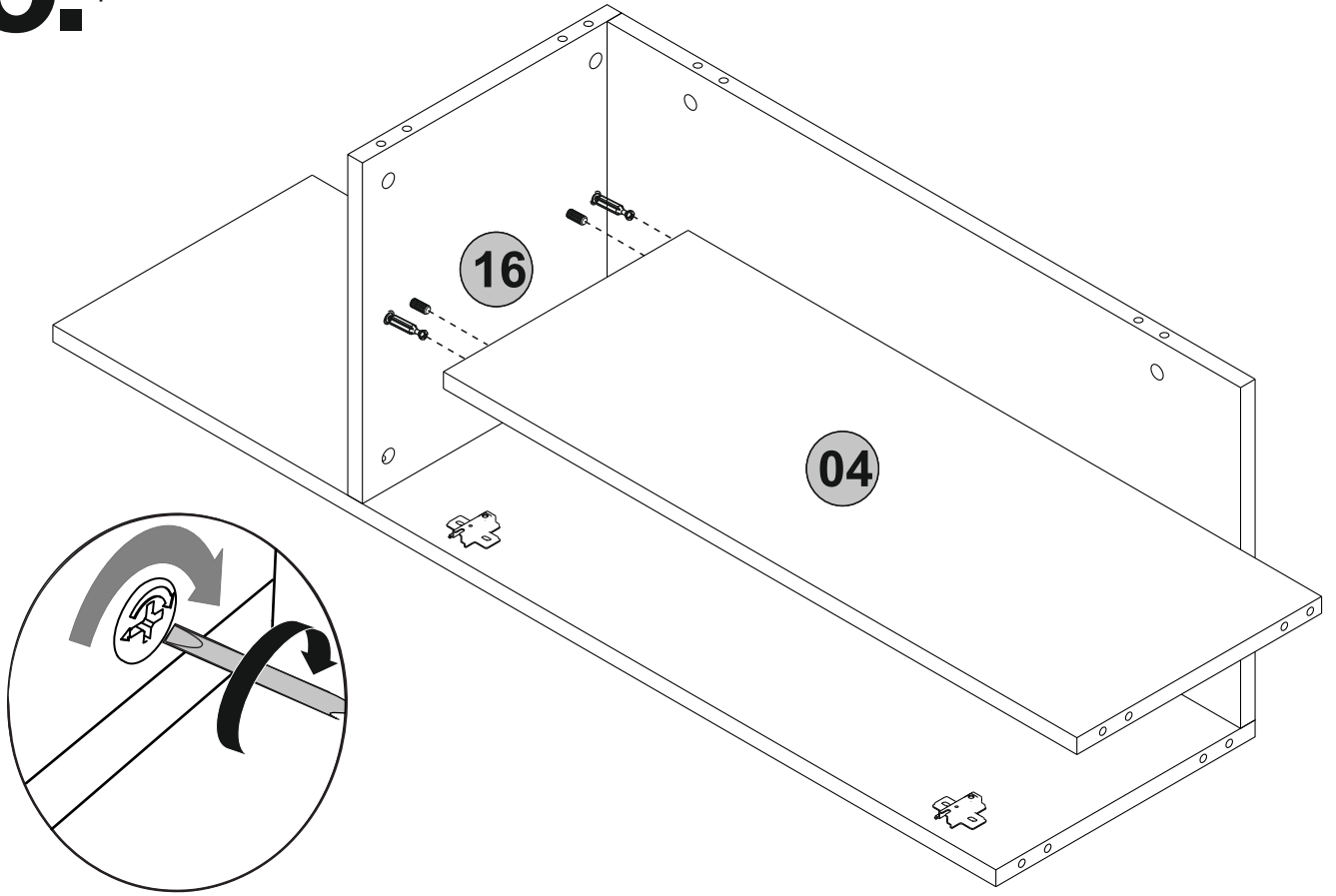
13.^{step}



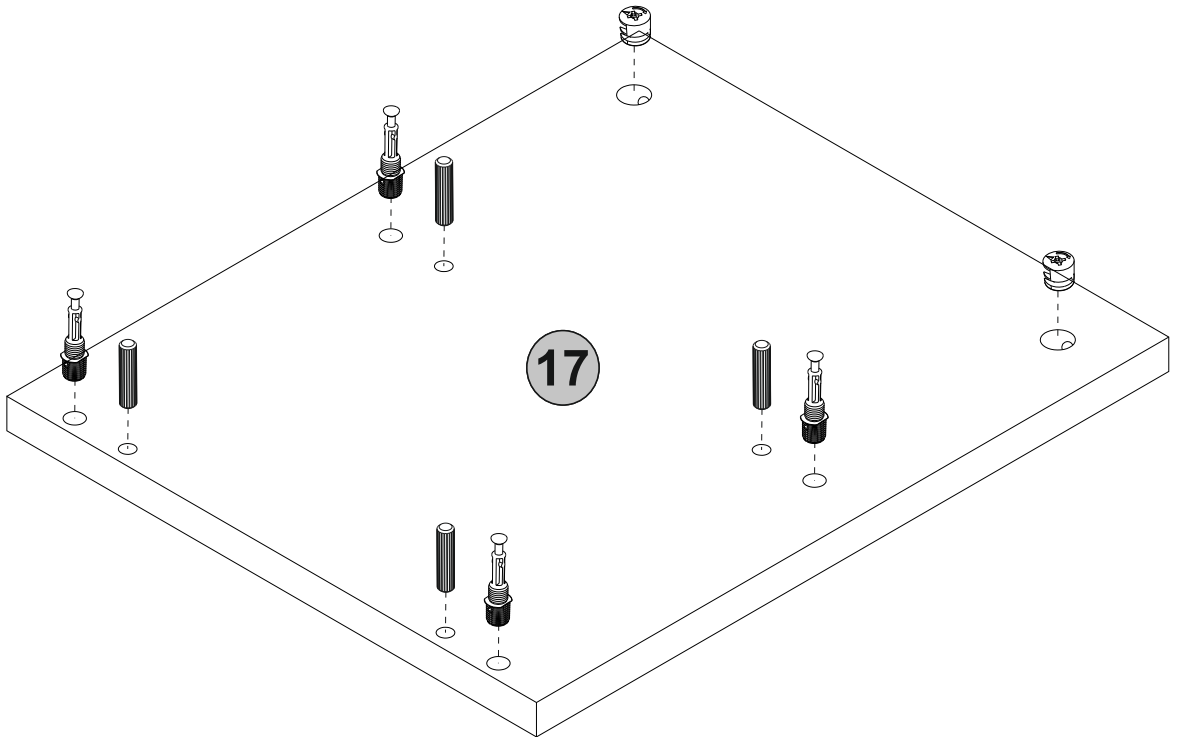
14.^{step}



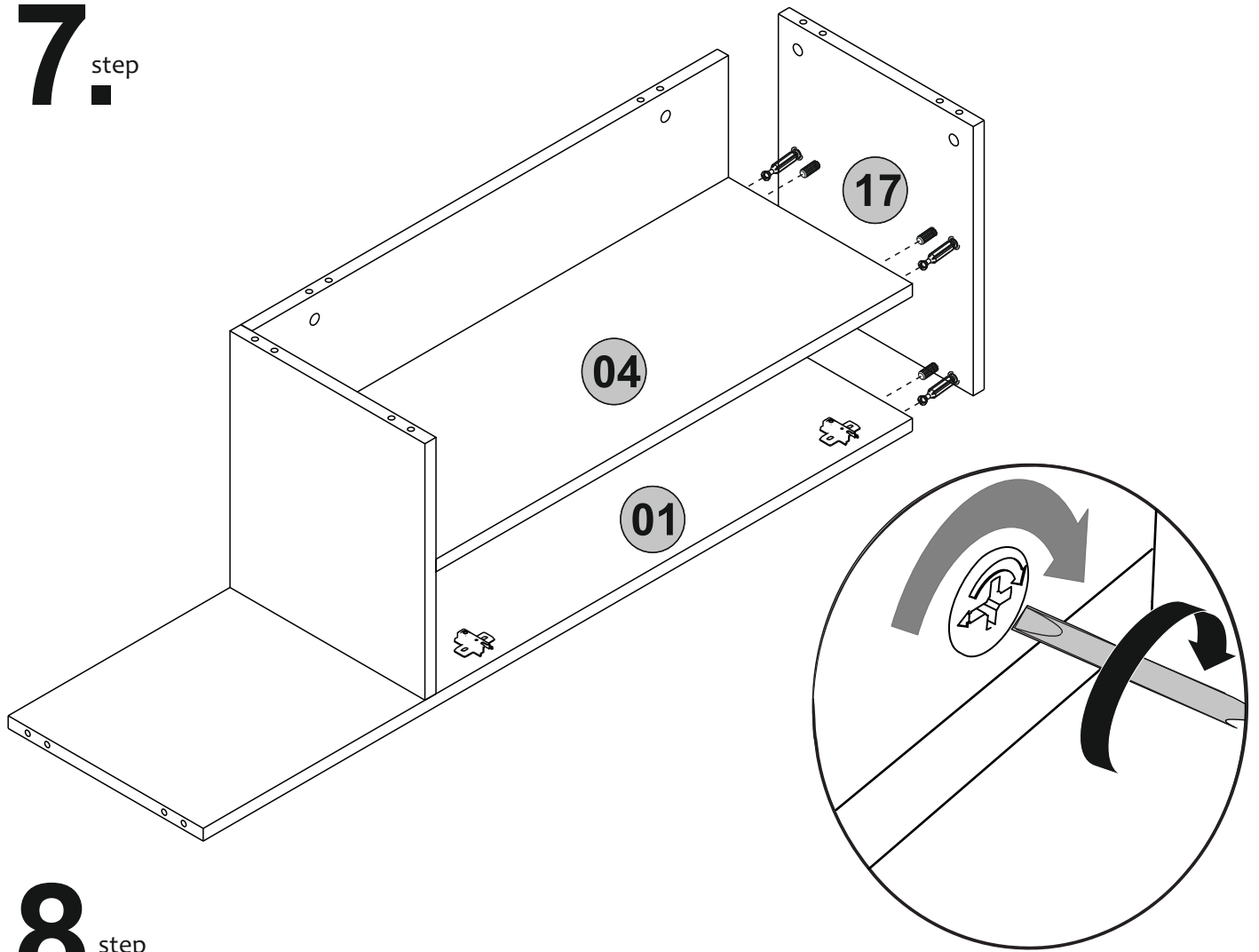
15.^{step}



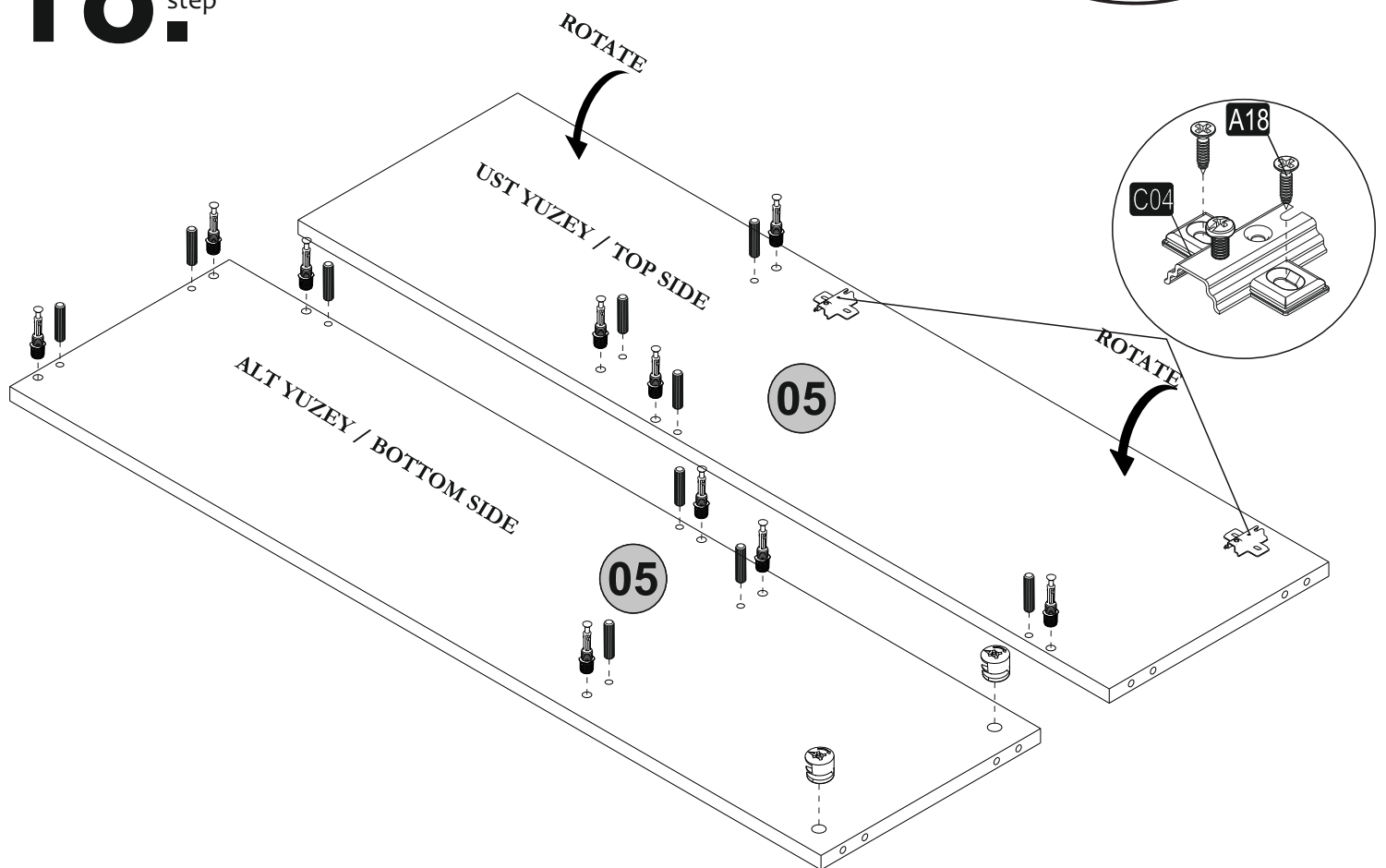
16.^{step}



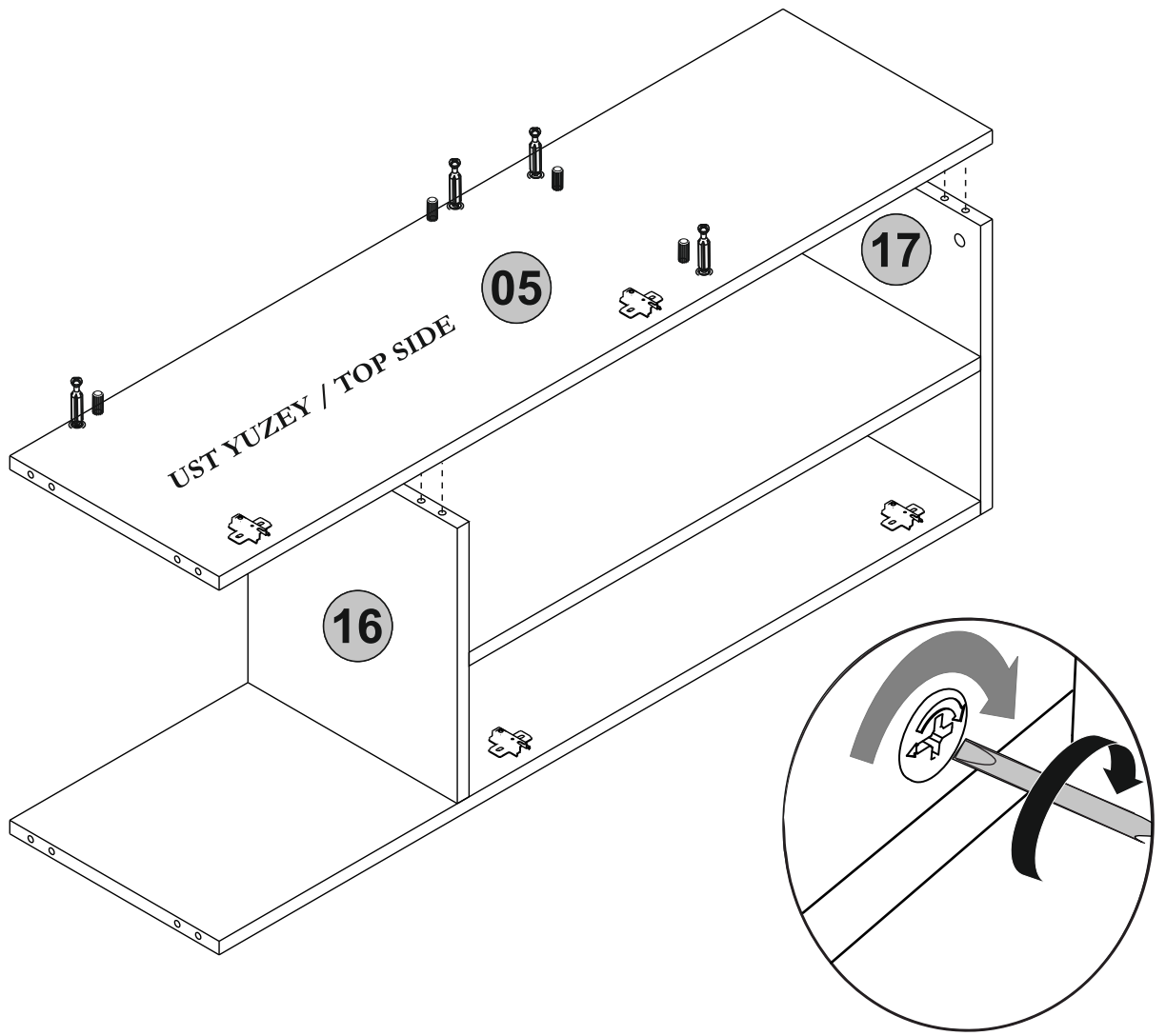
17. step



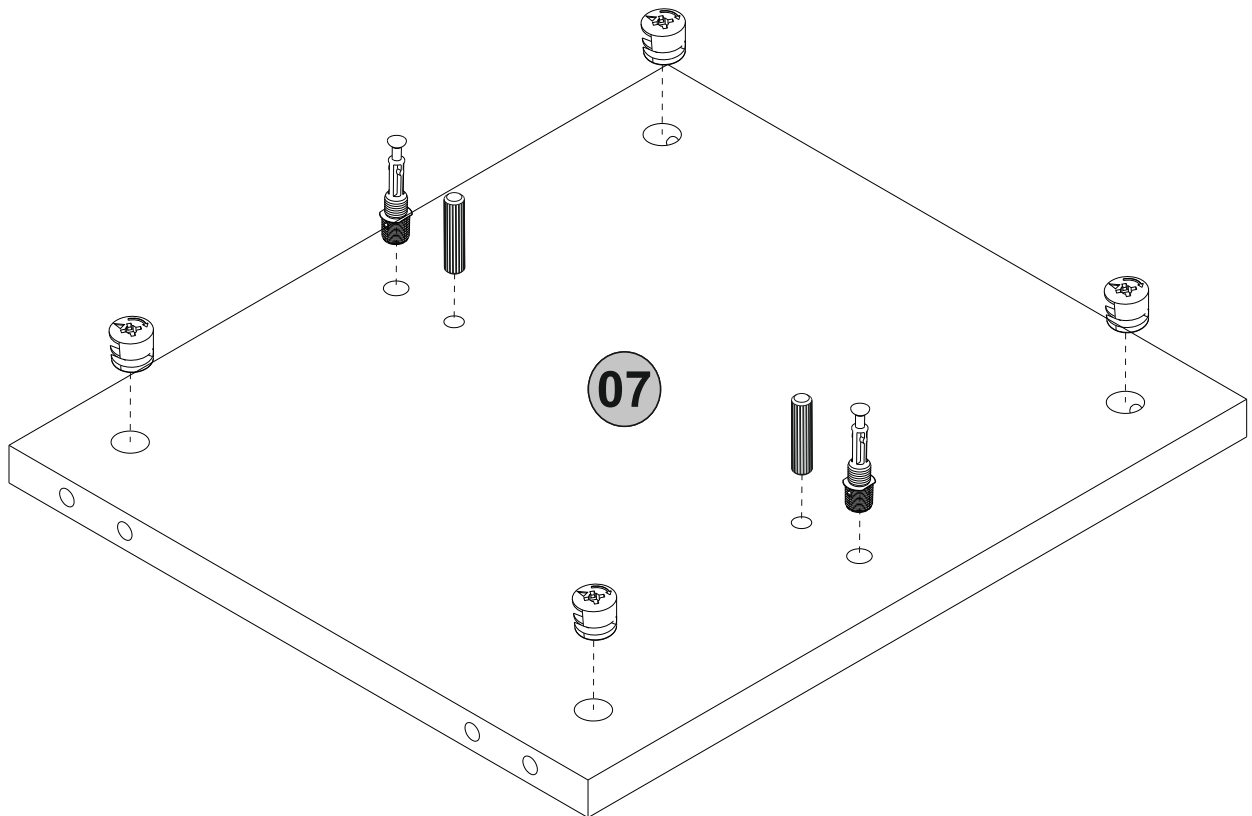
18. step



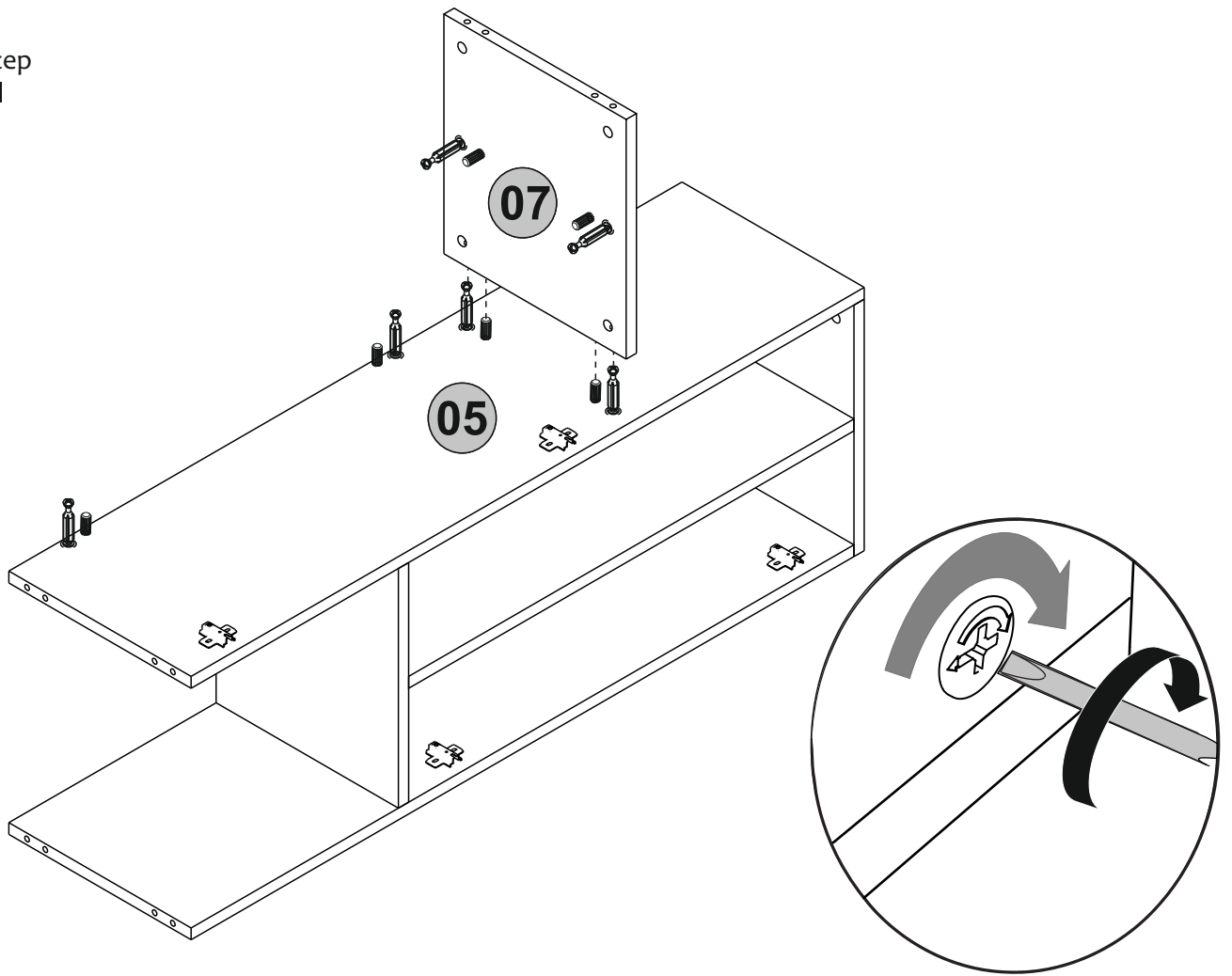
19.^{step}



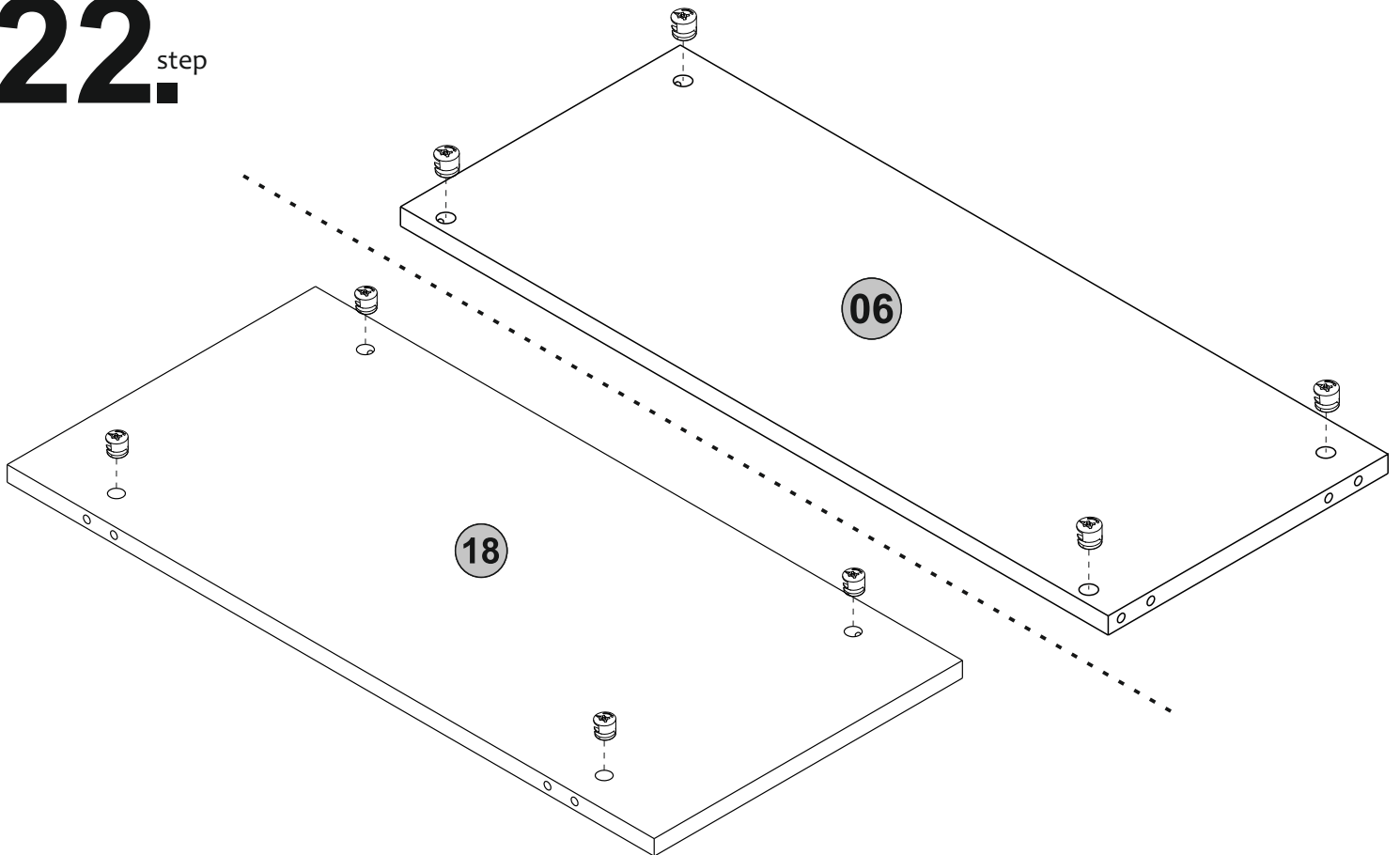
20.^{step}



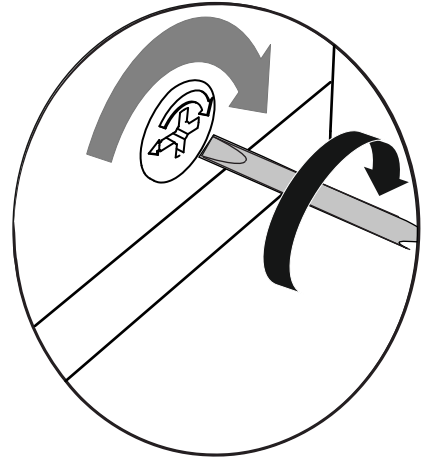
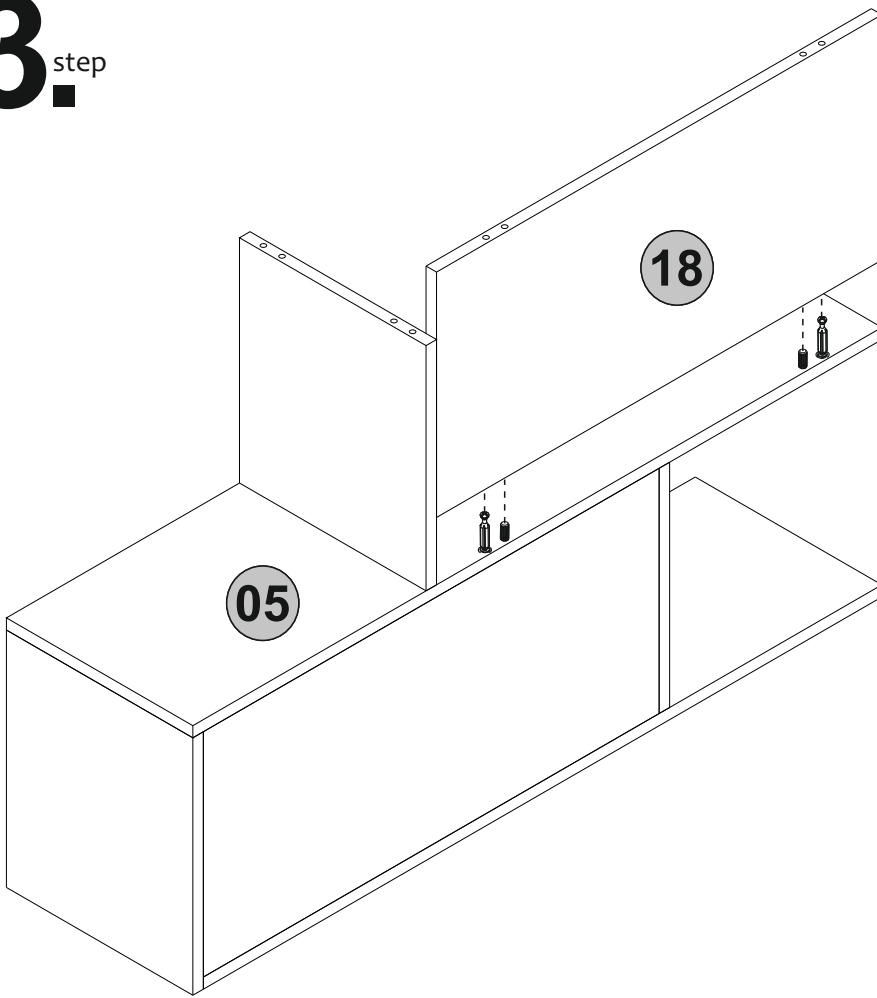
21^{step}



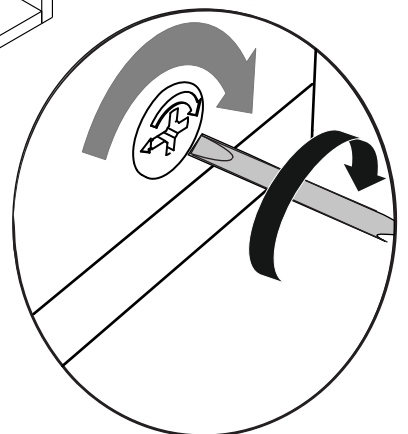
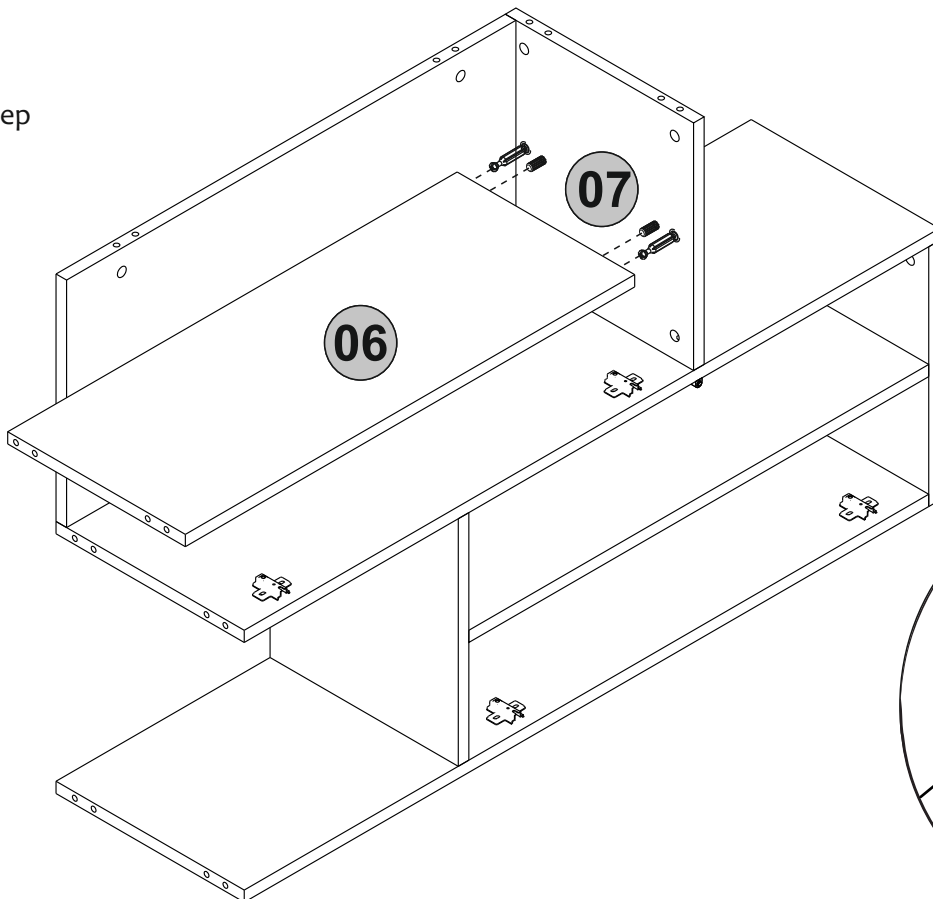
22^{step}



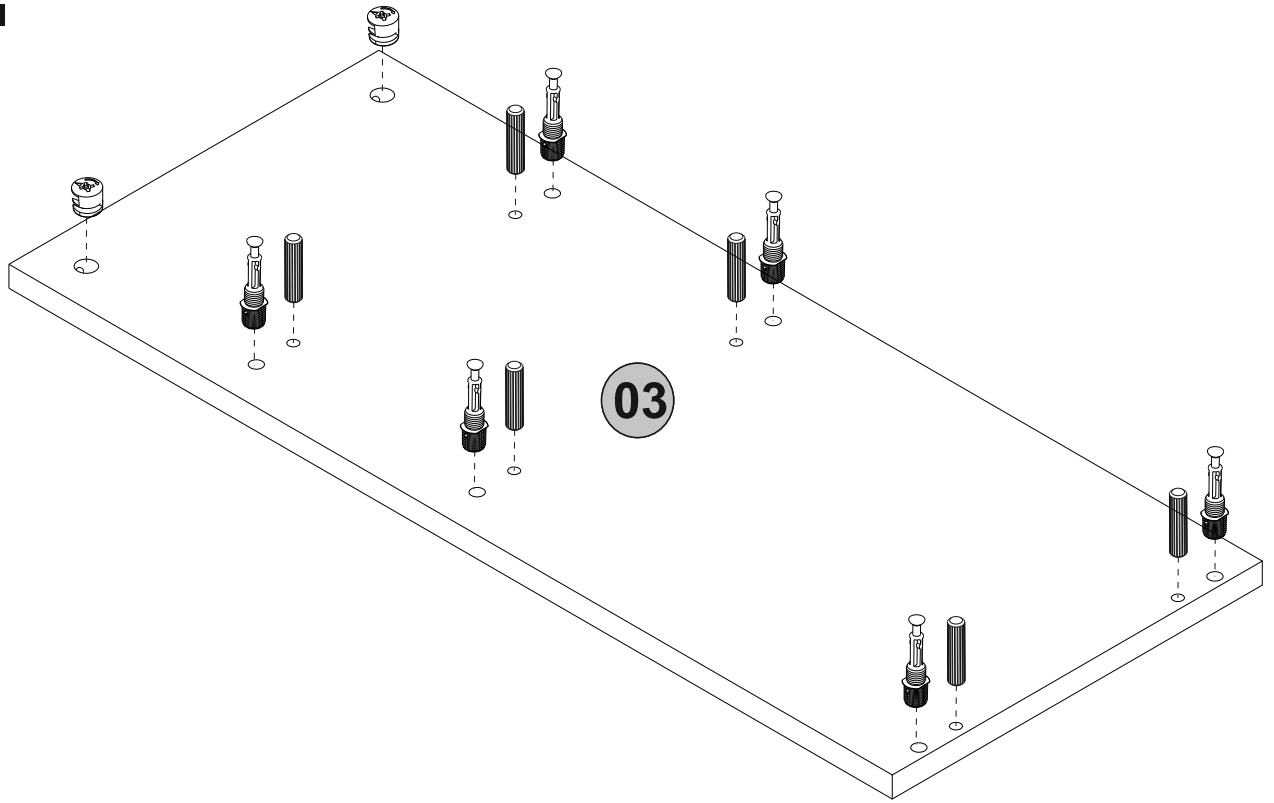
23.^{step}



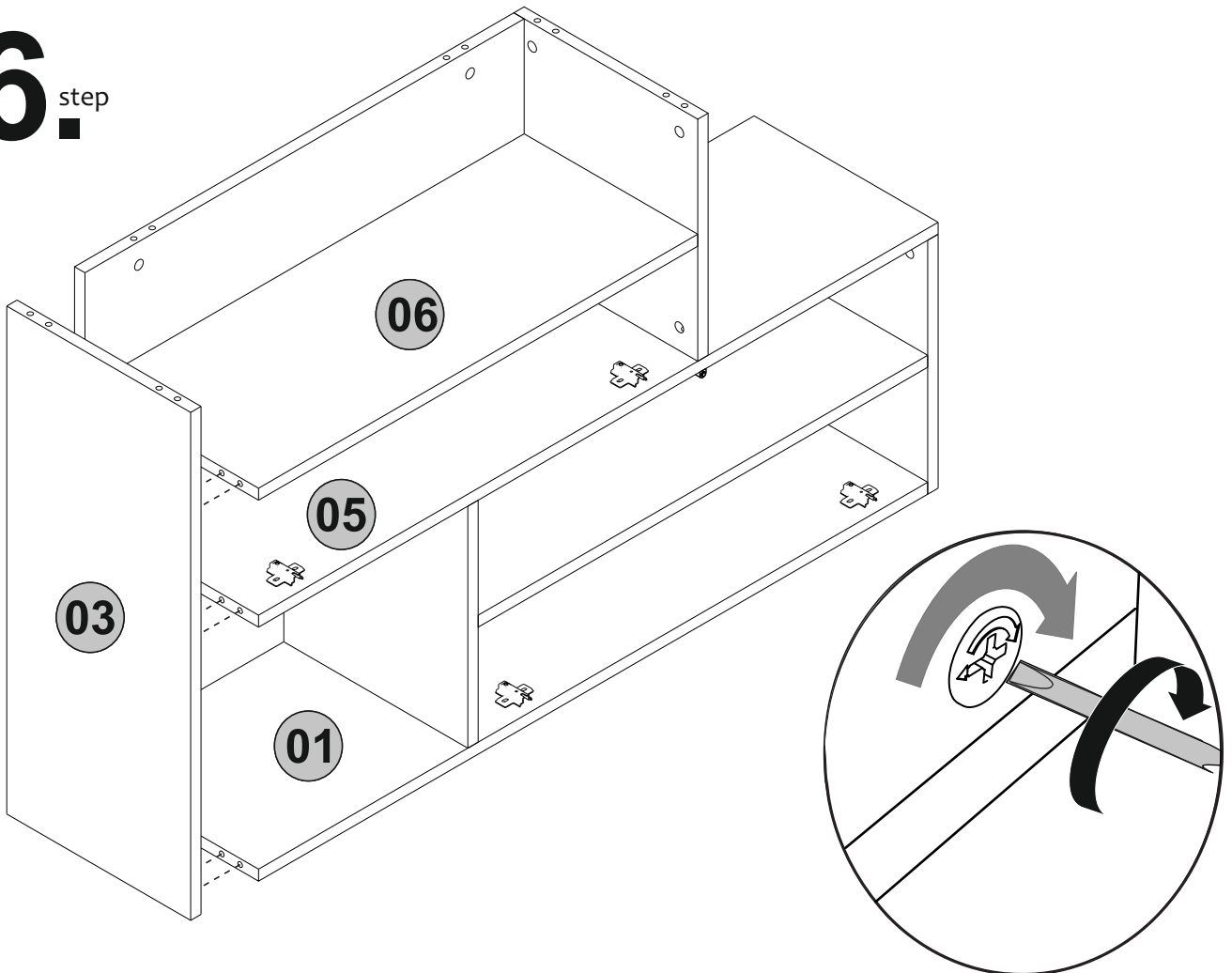
24.^{step}



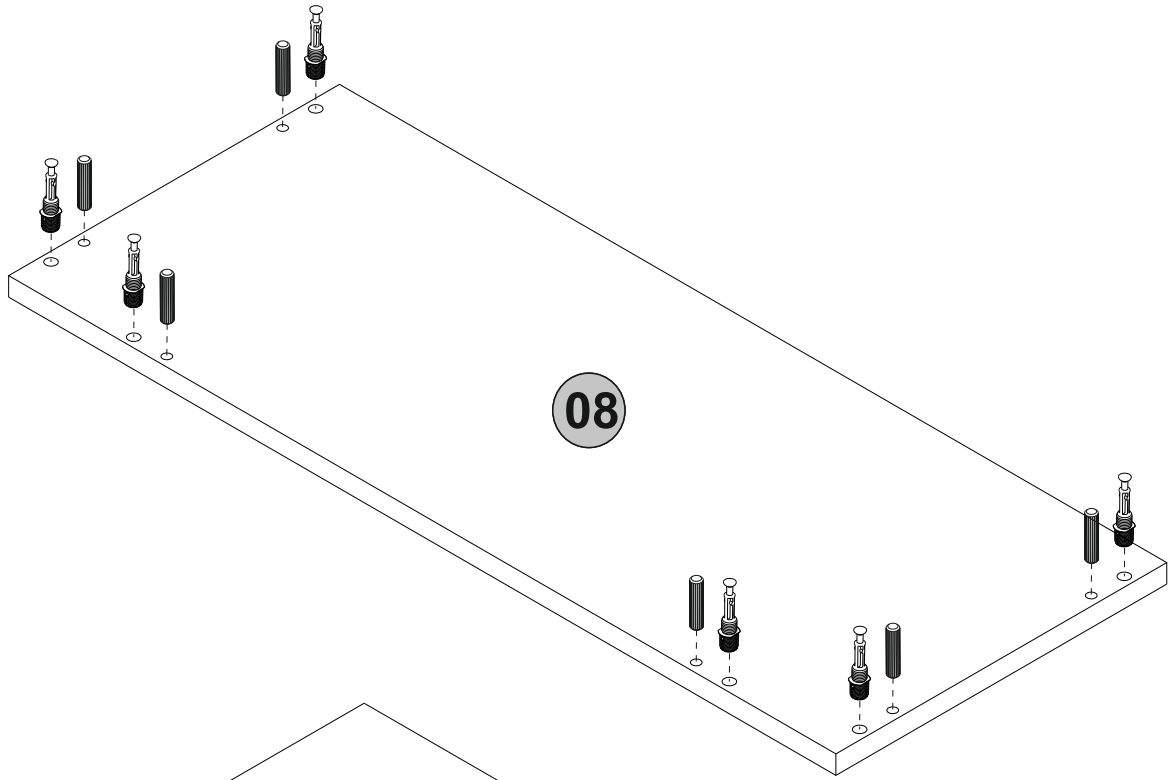
25.^{step}



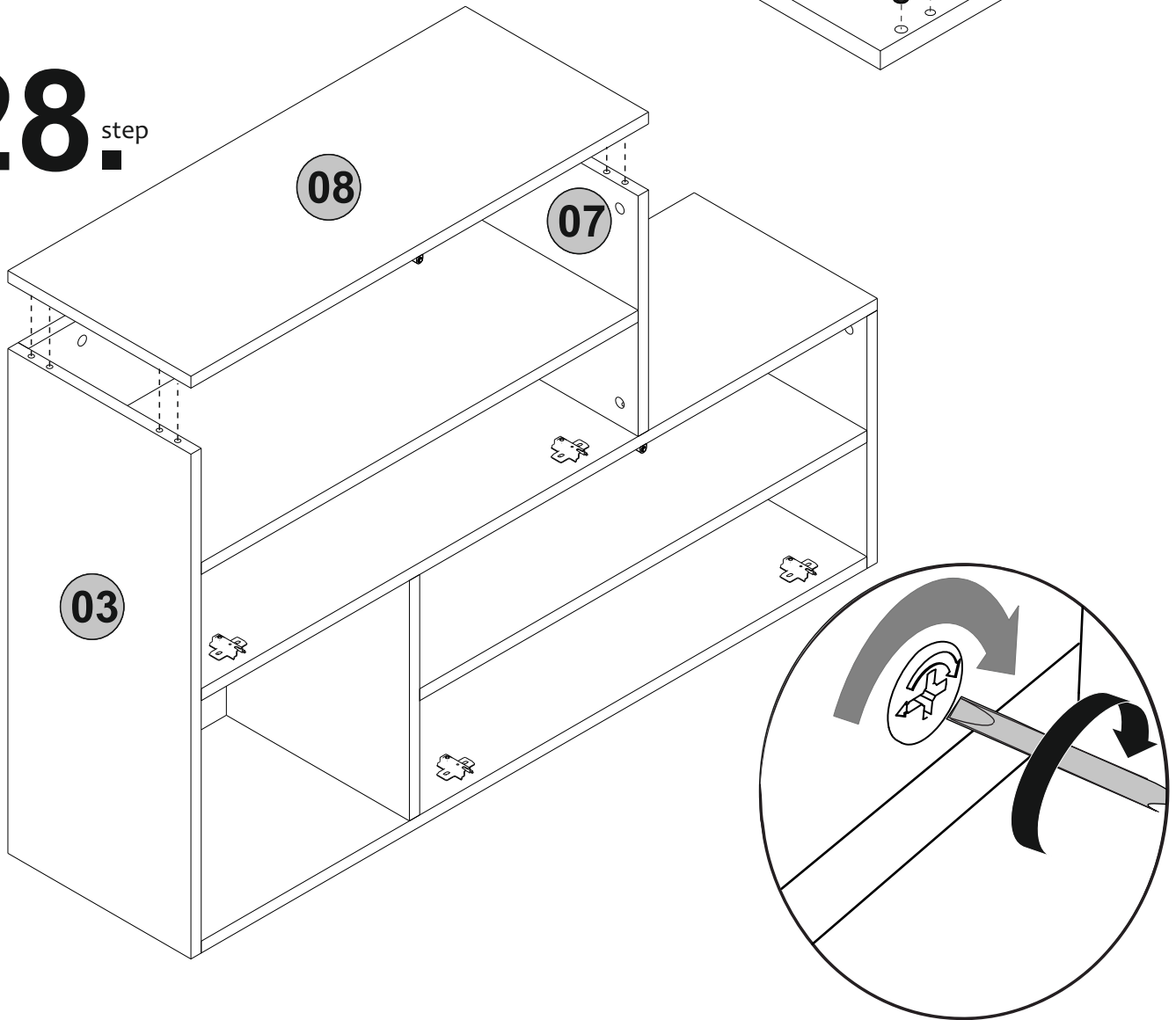
26.^{step}



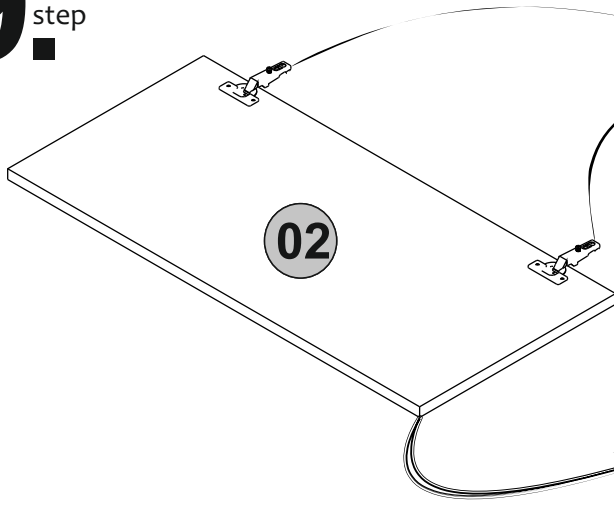
27. step



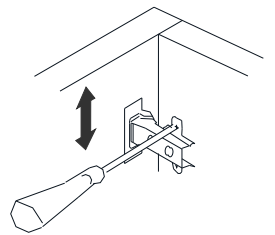
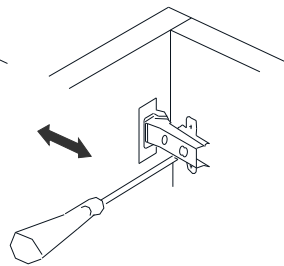
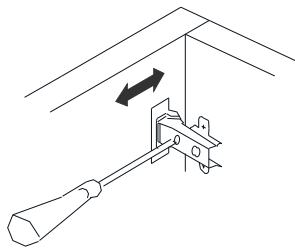
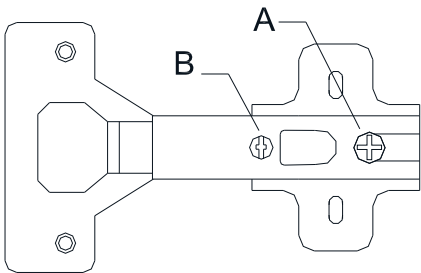
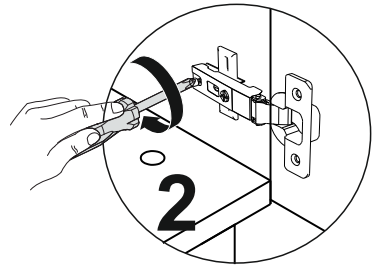
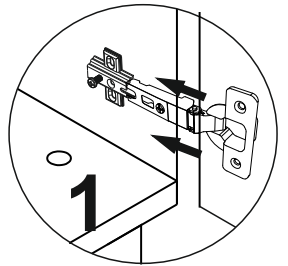
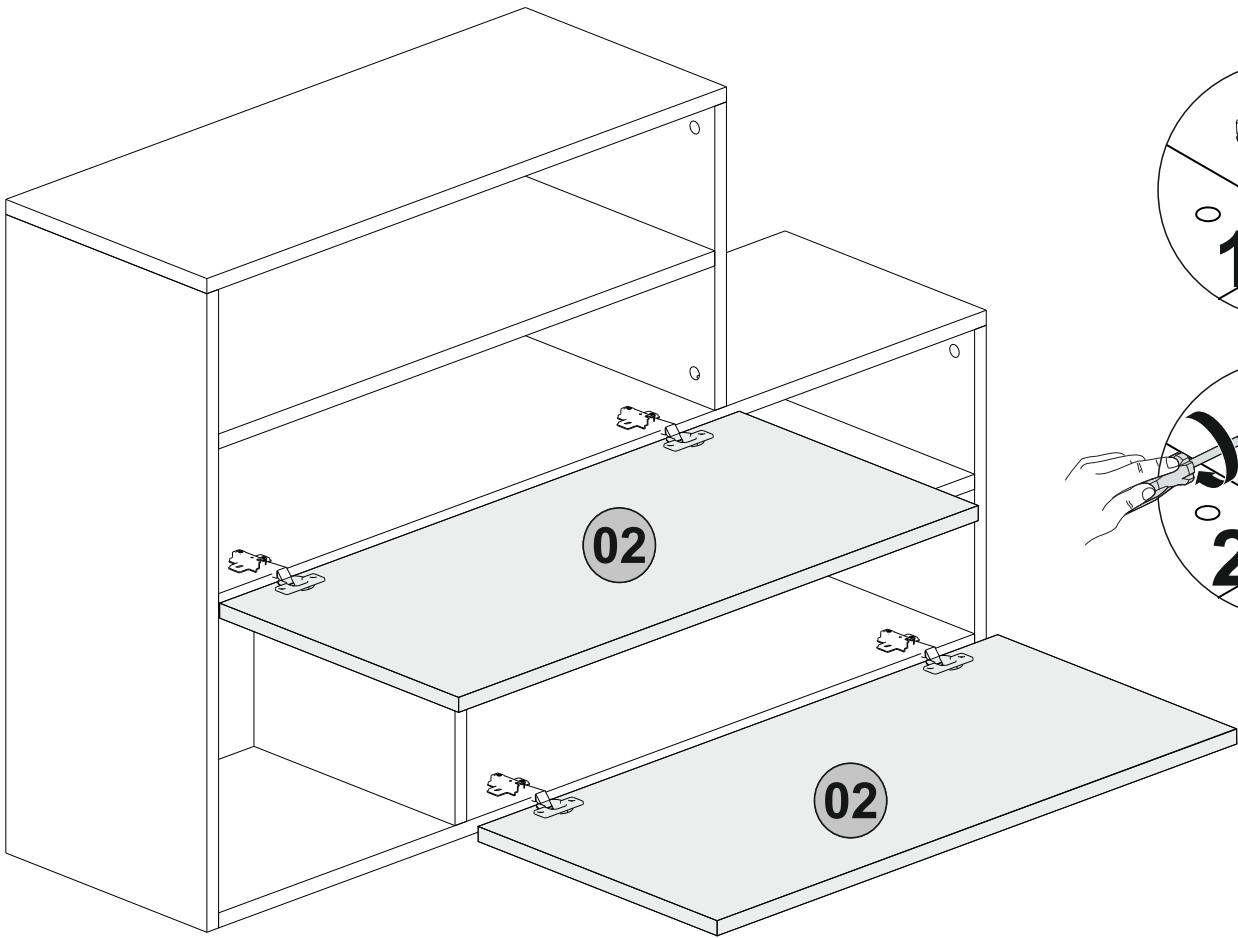
28. step



29.^{step}



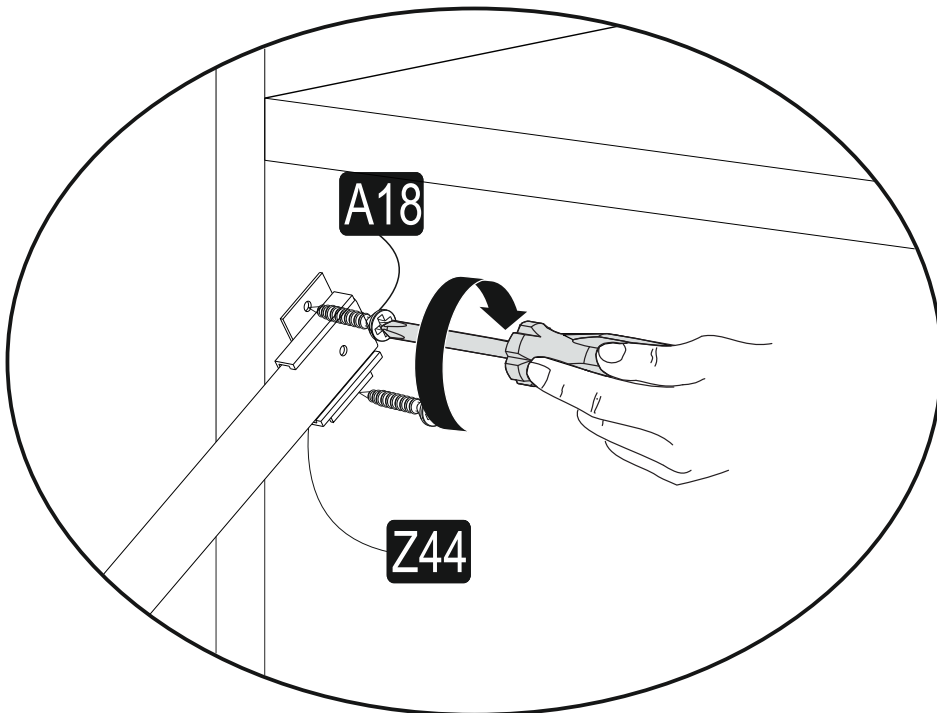
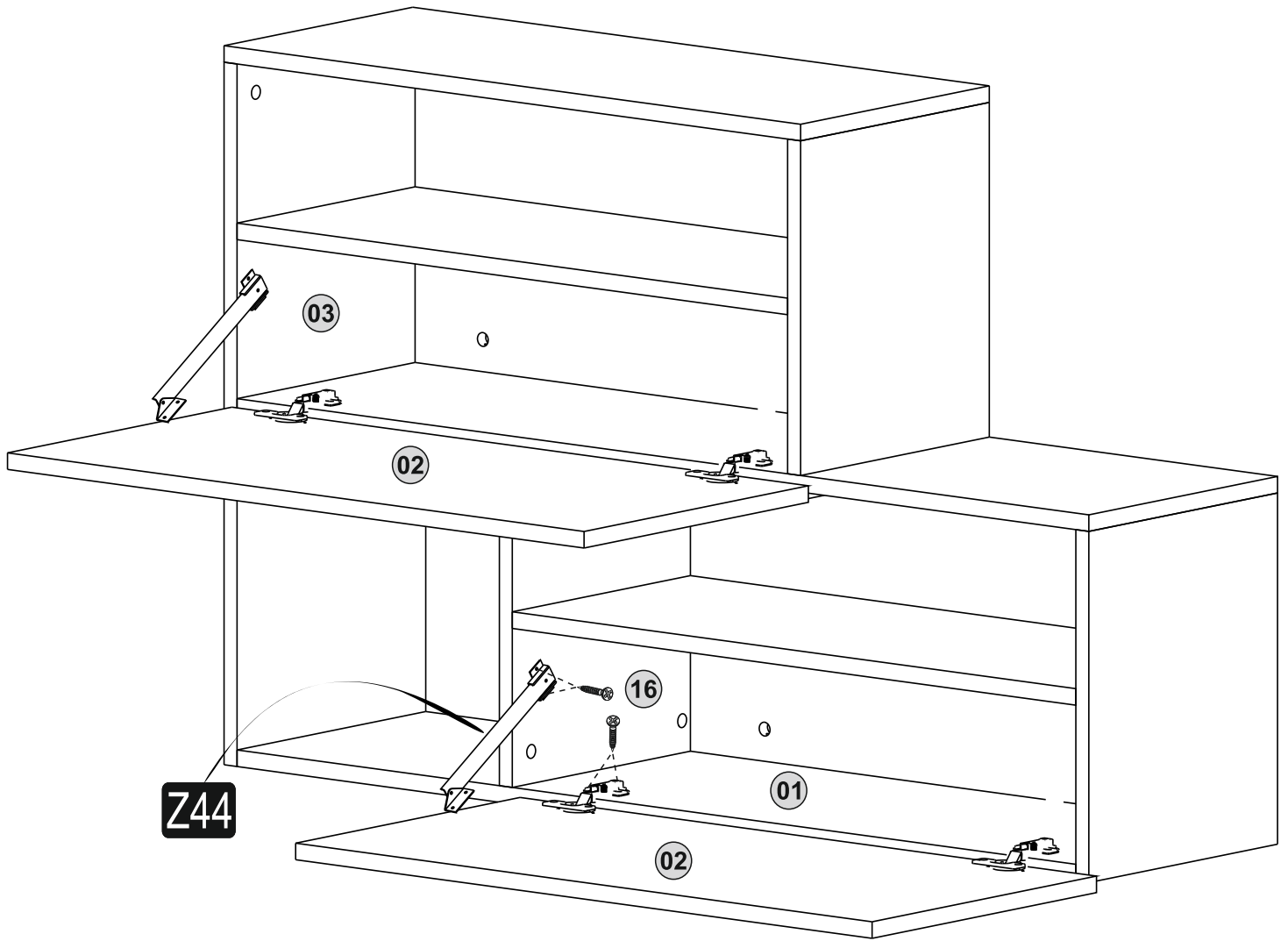
x2



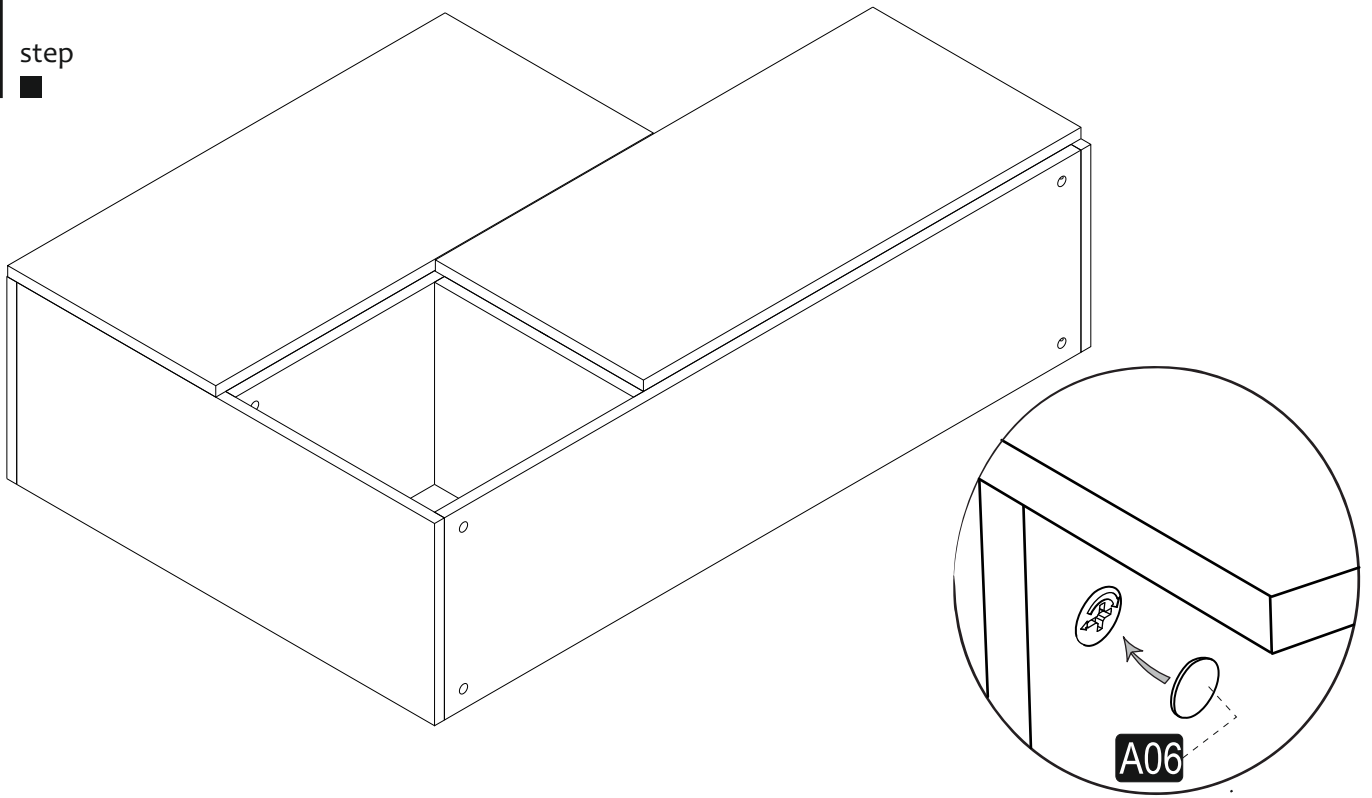
A = Menteşe bağlama vidası / to connect the hinge to the door
B = Kapak ayar vidası / to arrange the door

Arrows to show the directions for arrangement of doors

30^{step}



31.^{step}



32.^{step}

