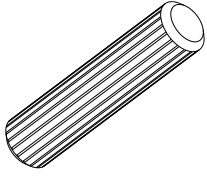


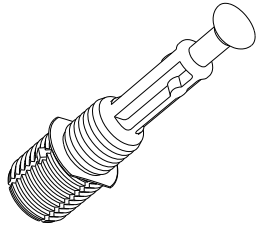
# ATTENTION !!

Minifix is the main connection material used in our products.  
Before starting assembly, please check the drawings below.

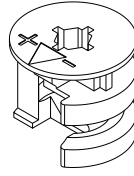
A04



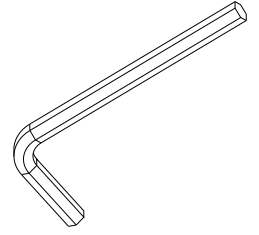
A23



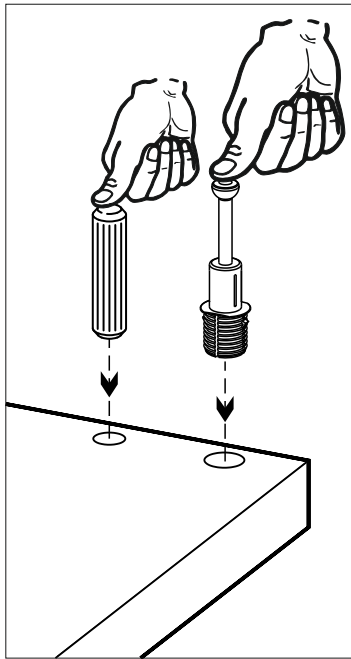
A22



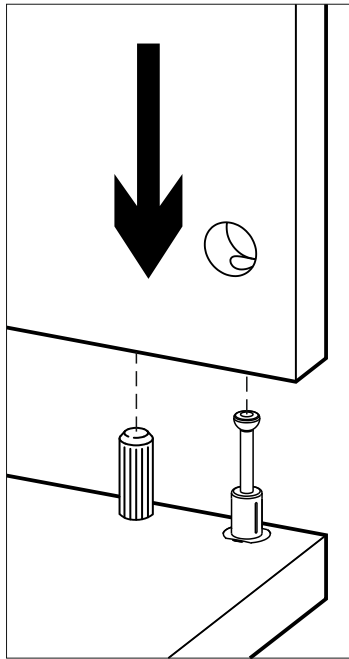
A12



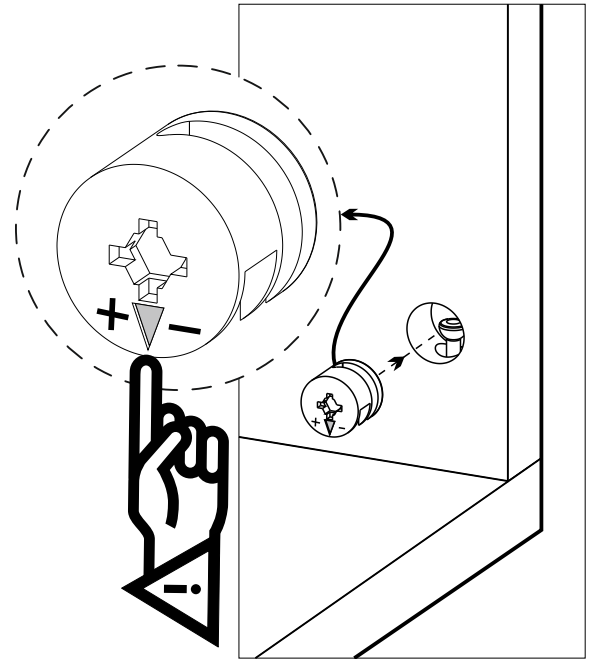
1



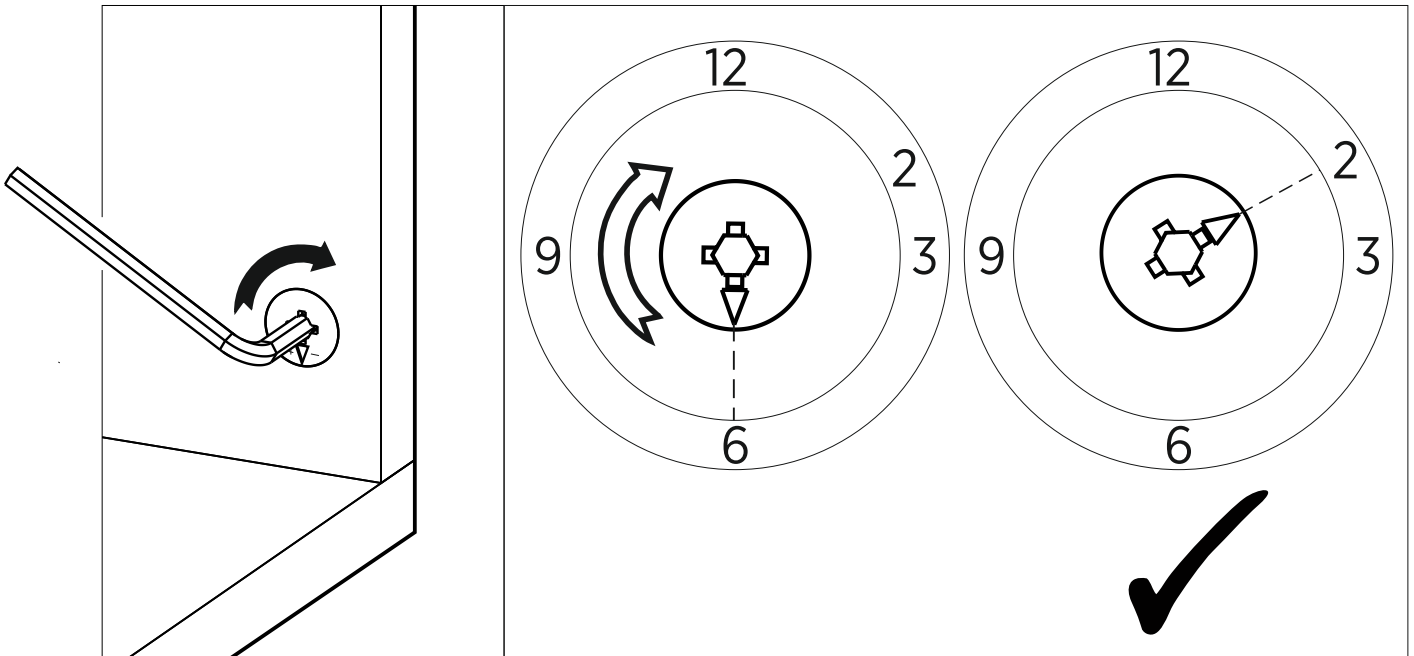
2



3




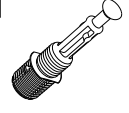
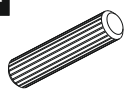
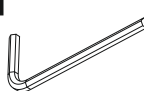
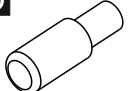

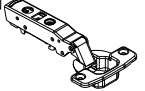
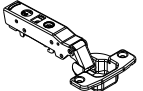




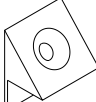
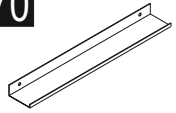

4

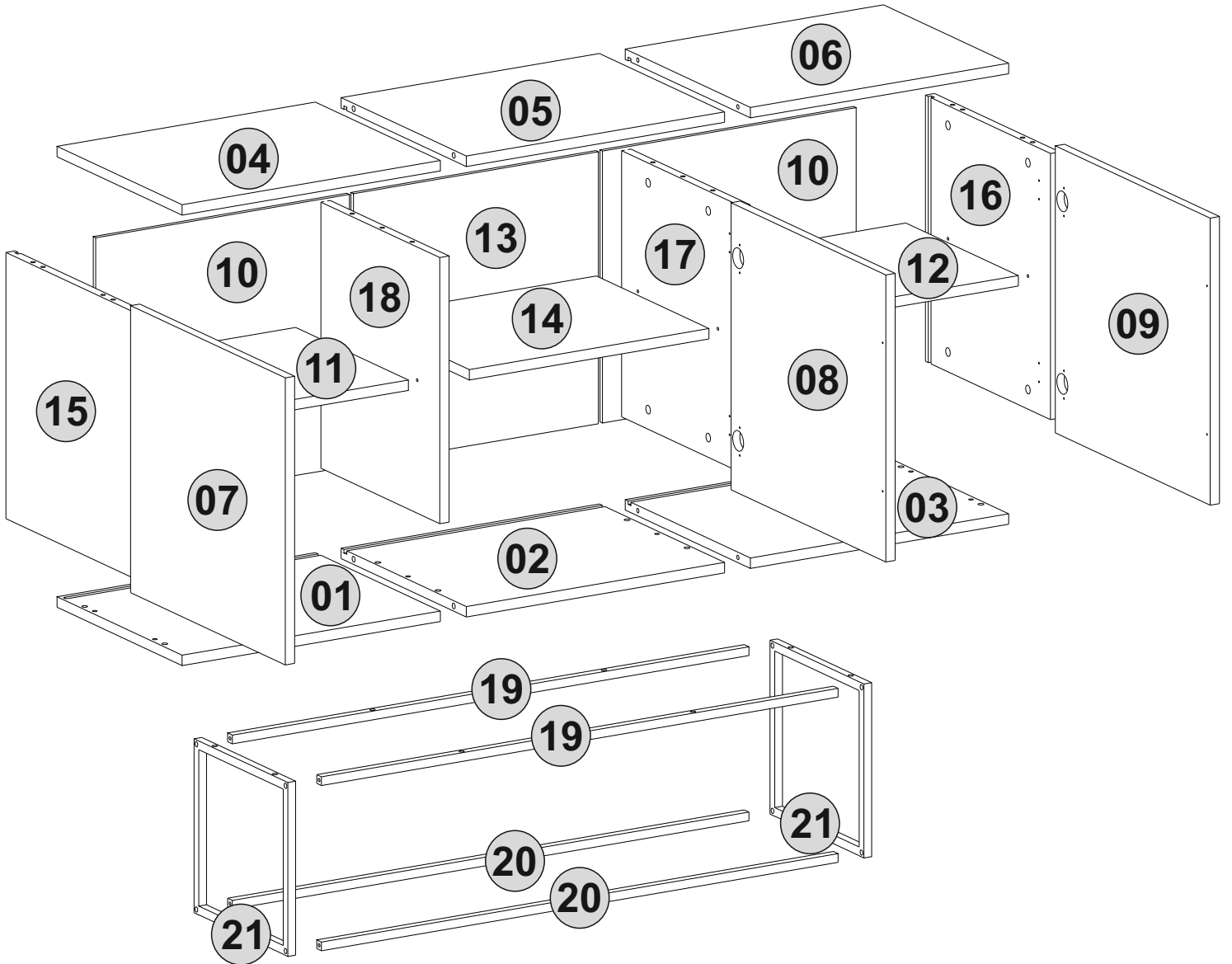


Follow the installation steps in the order as shown.  
Position the parts as shown in the installation guide steps.

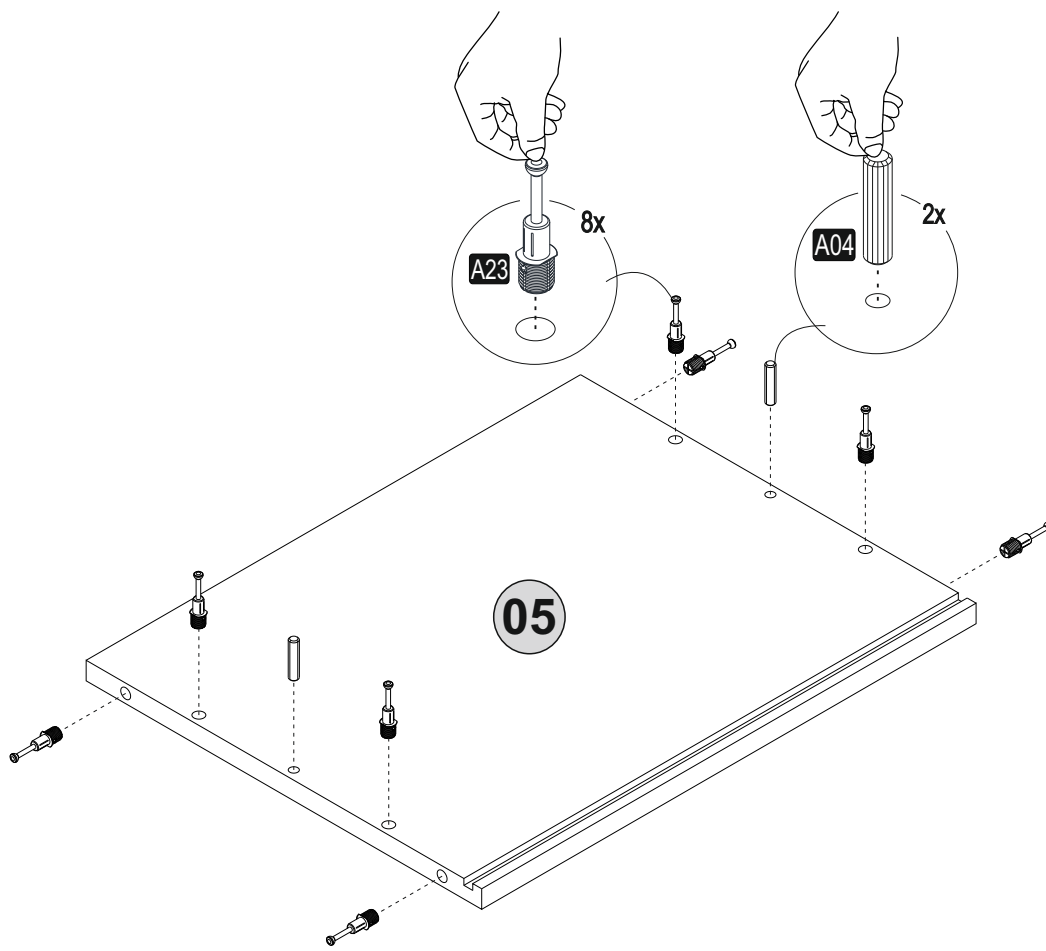


# ACCESSORY LIST

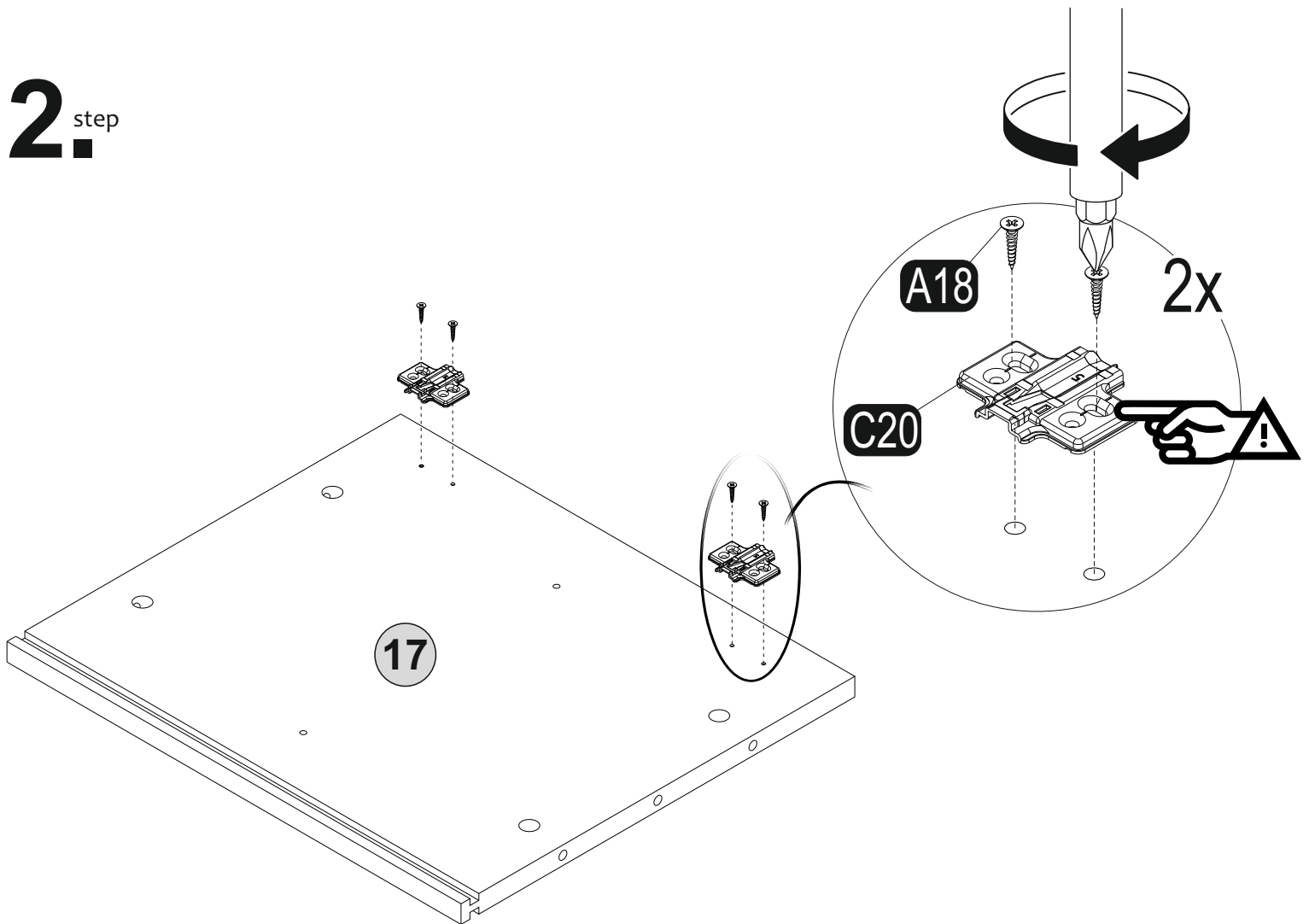
<b>A22</b> Minifix k18  24x	<b>A23</b> Minifix M10  24x	<b>A04</b> Ø8  12x	<b>A12</b> Allen  1x	<b>A48</b> Raf Pimi  12x
<b>A06</b> 18mm C1-8x C2-8x C3-8x 	<b>C14</b> Dm(S)  3x	<b>C17</b> DmF(S)  3x	<b>C20</b> Mtk(S)  6x	<b>A18</b>  48x
<b>A69</b> P.D.  8x	<b>B13</b> 25 (black)mm  16x	<b>A25</b> ARK.PL  12x	<b>Z70</b> Kulp 300mm  3x	<b>A50</b> 3,5x16 (Black)  6x



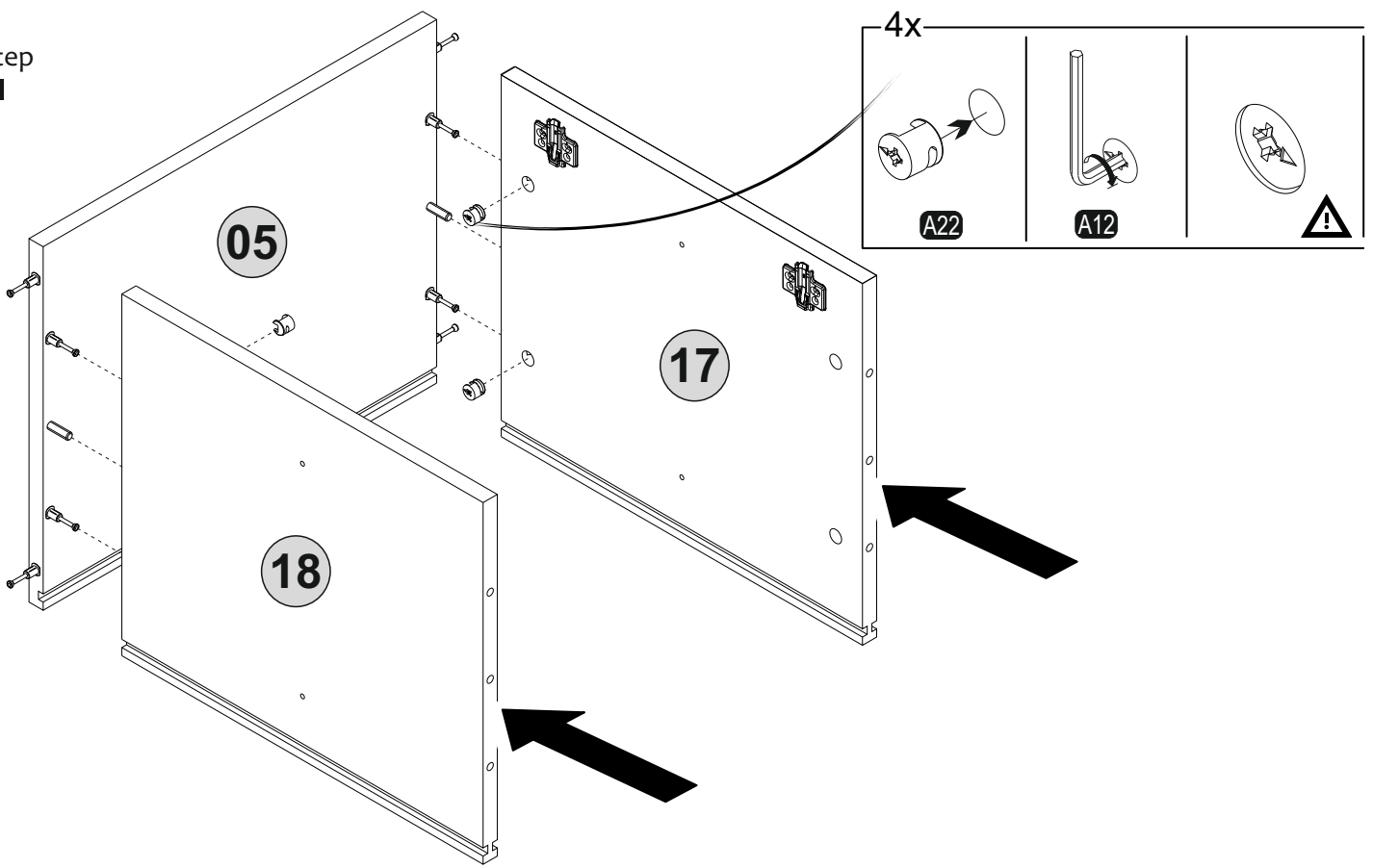
# 1. step



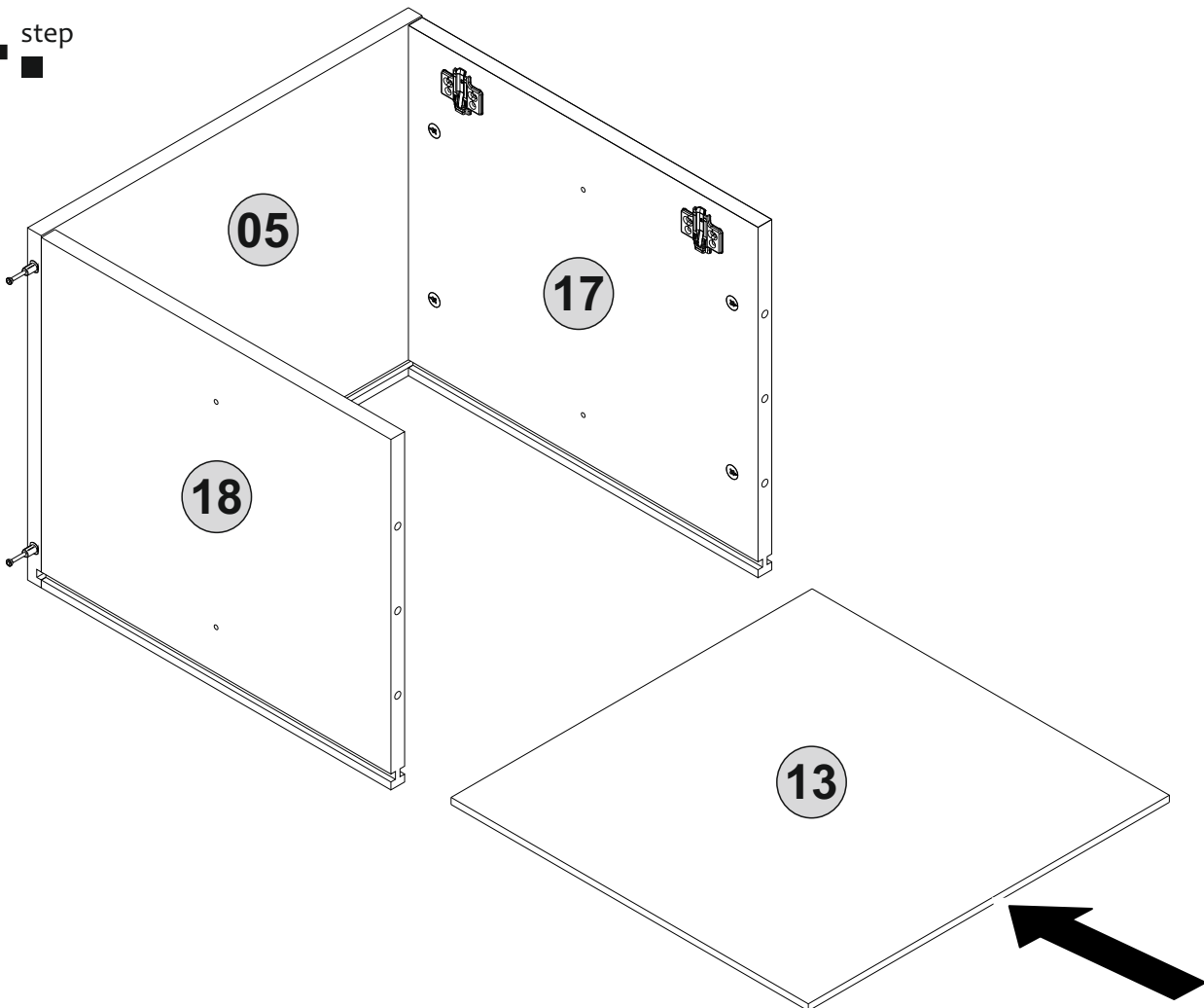
# 2. step



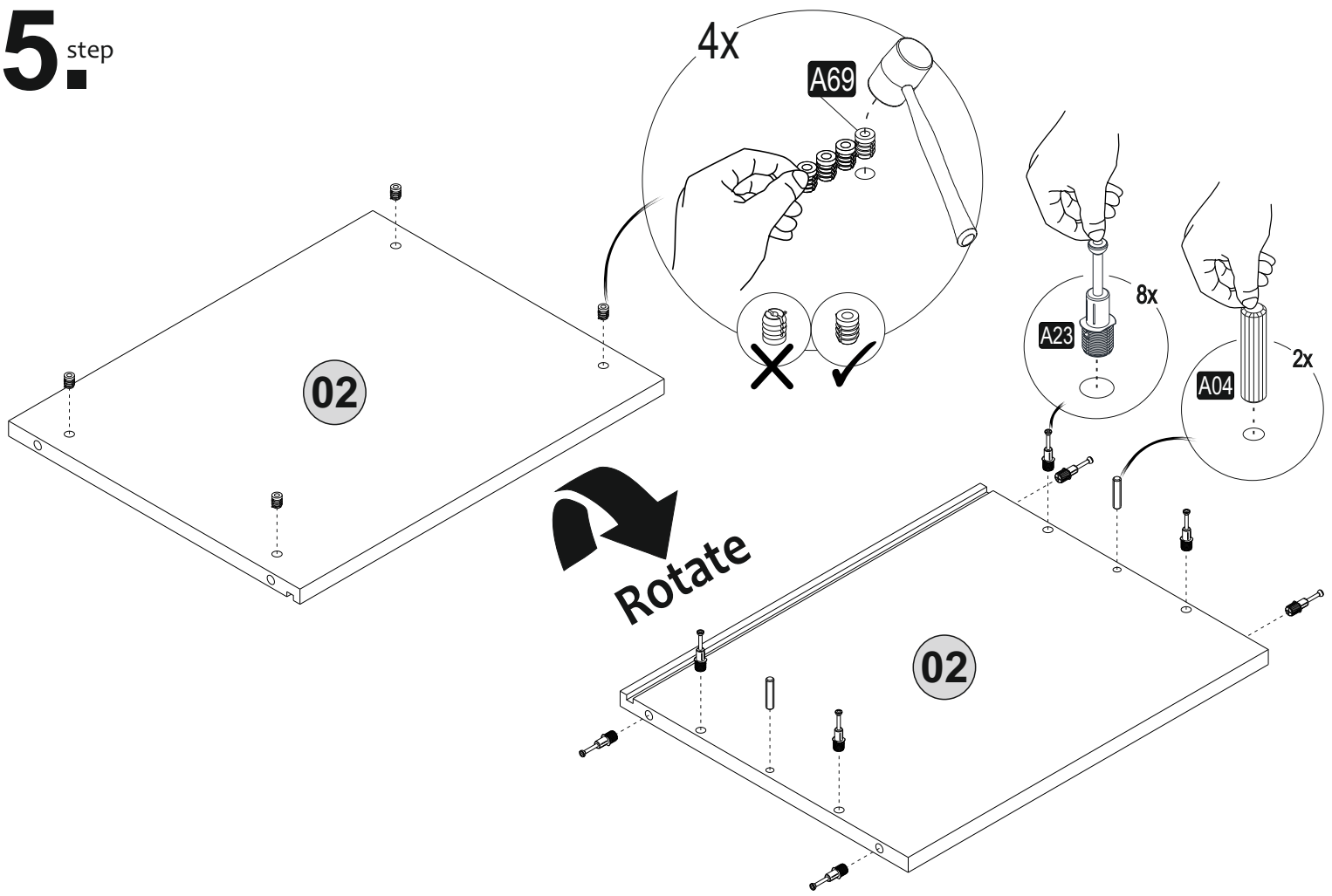
# 3 step



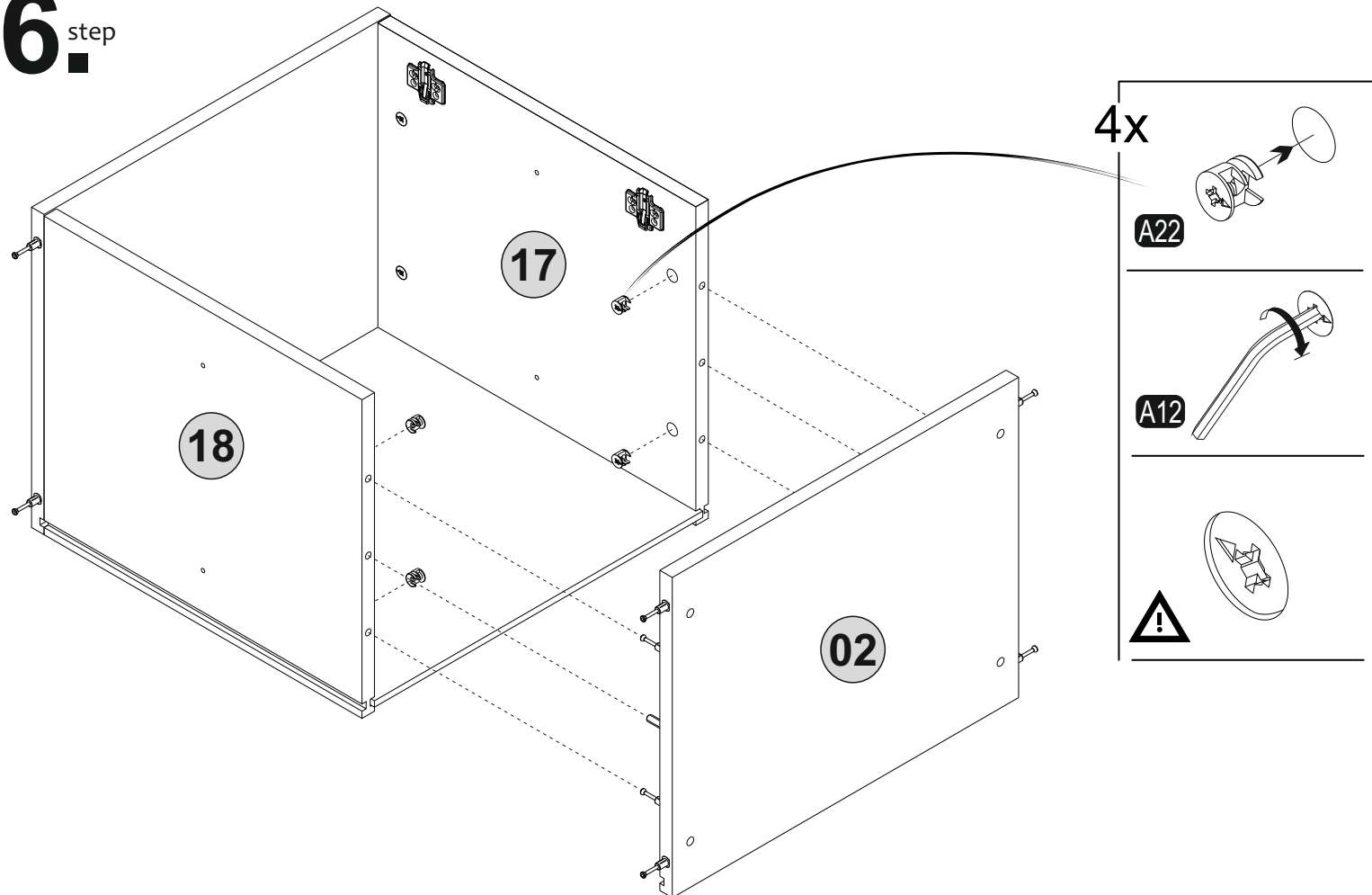
# 4 step



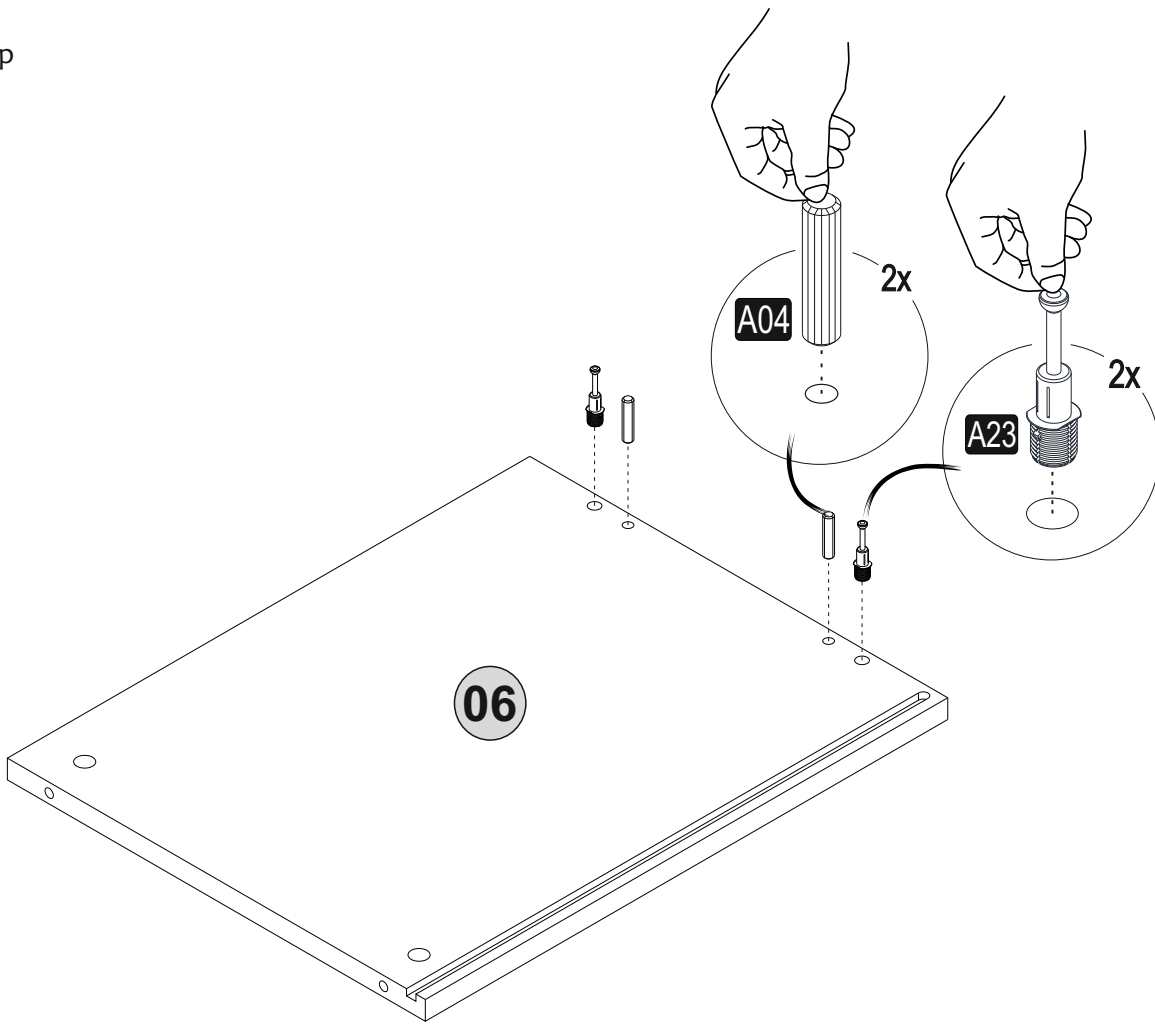
# 5. step



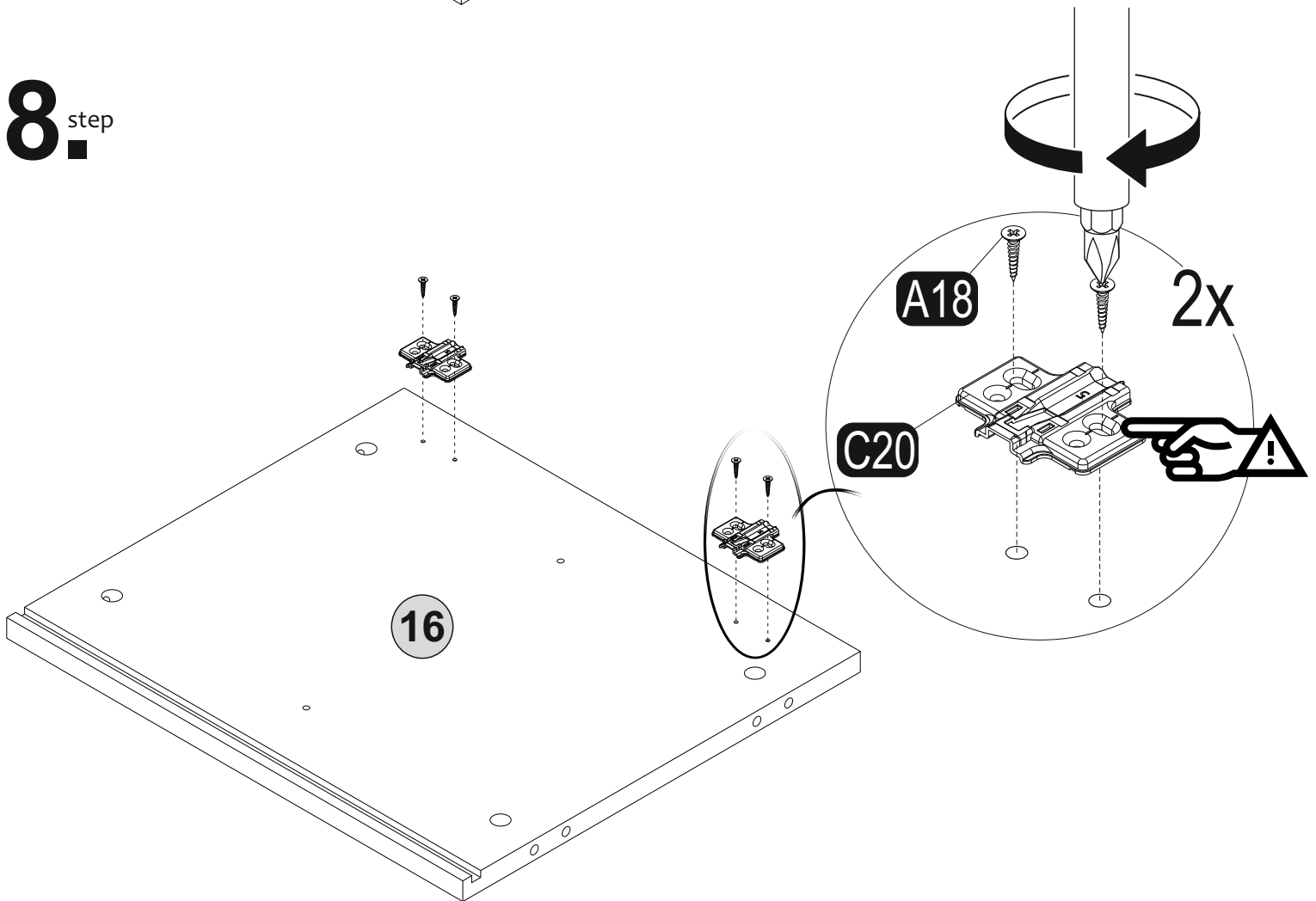
# 6. step



# 7. step

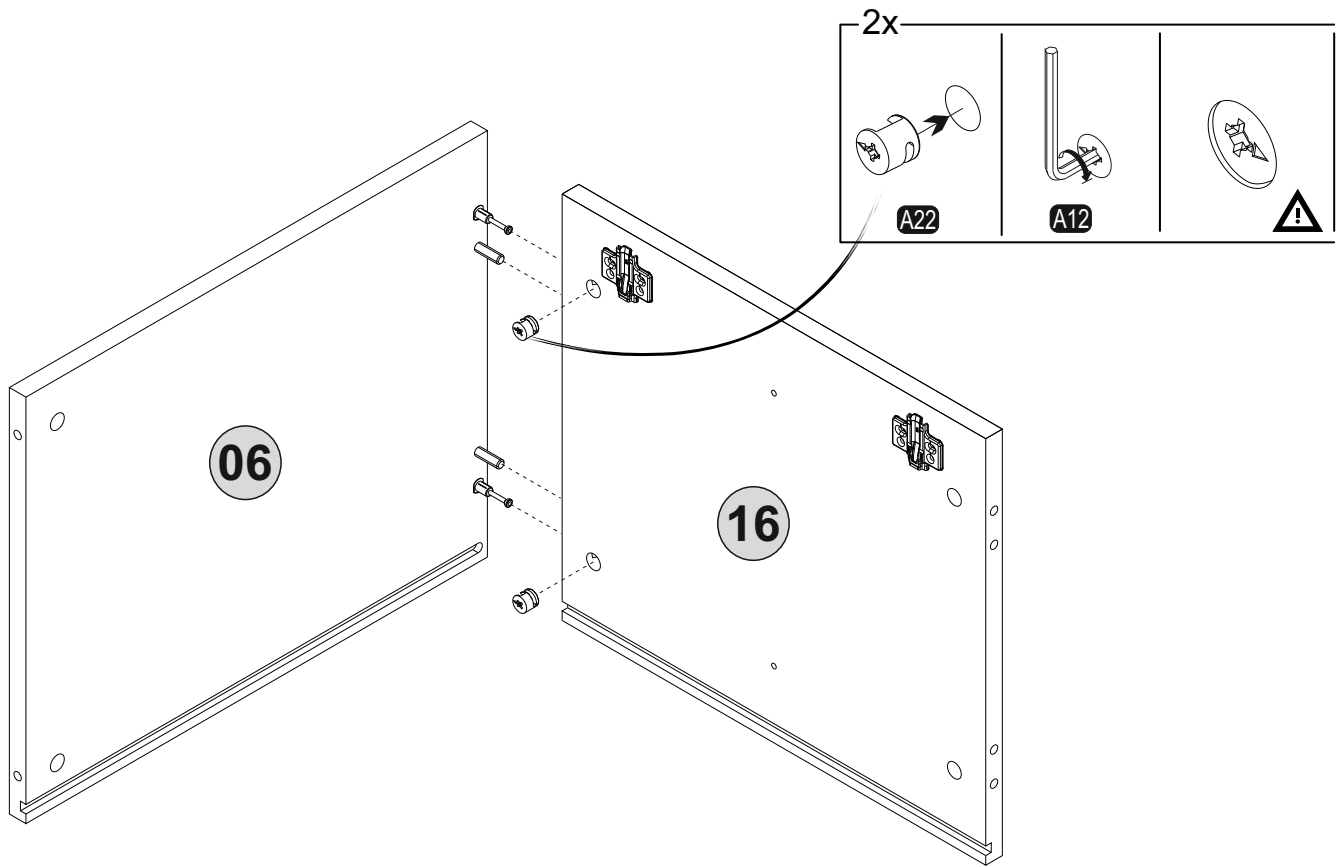


# 8. step

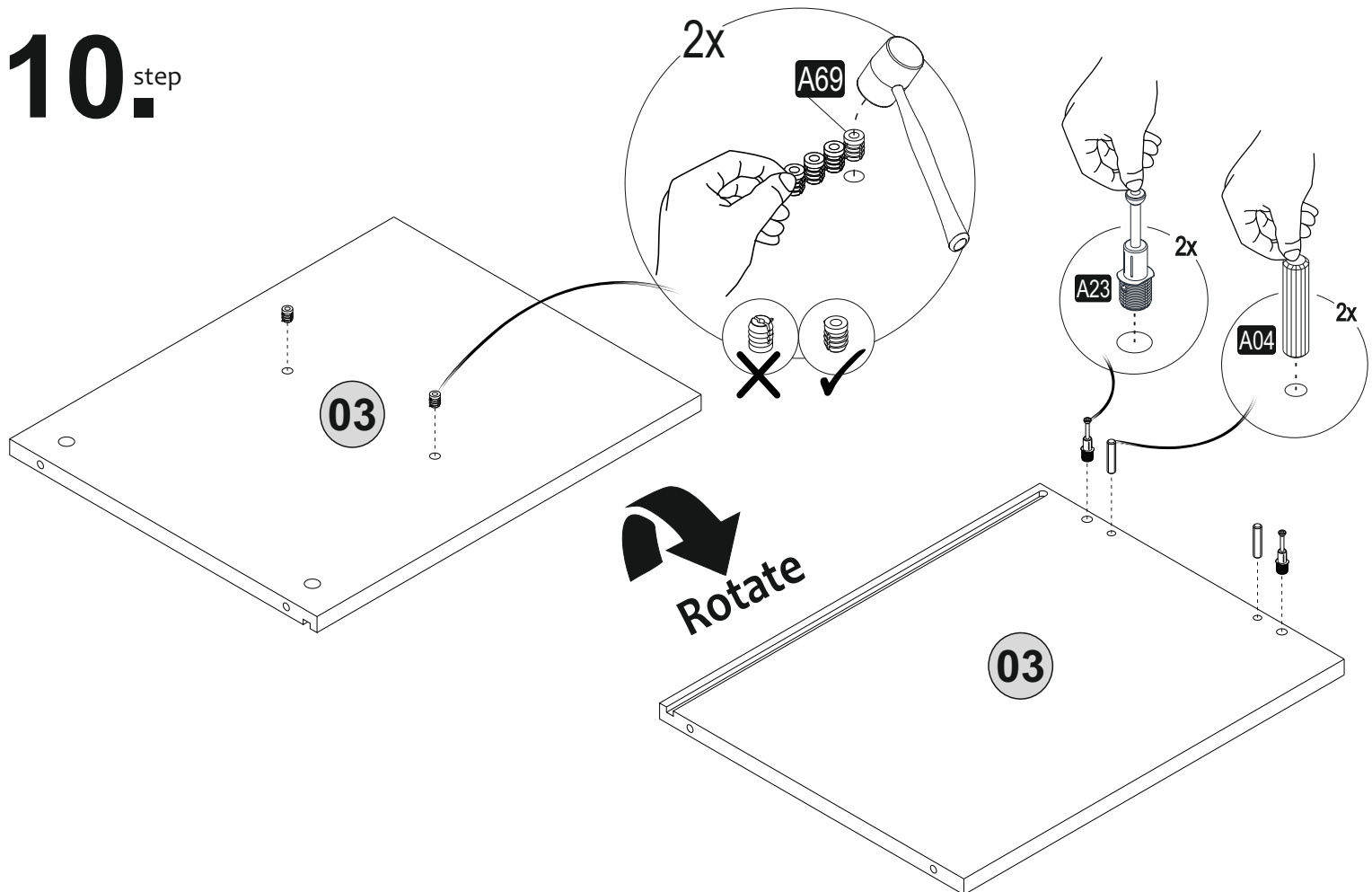




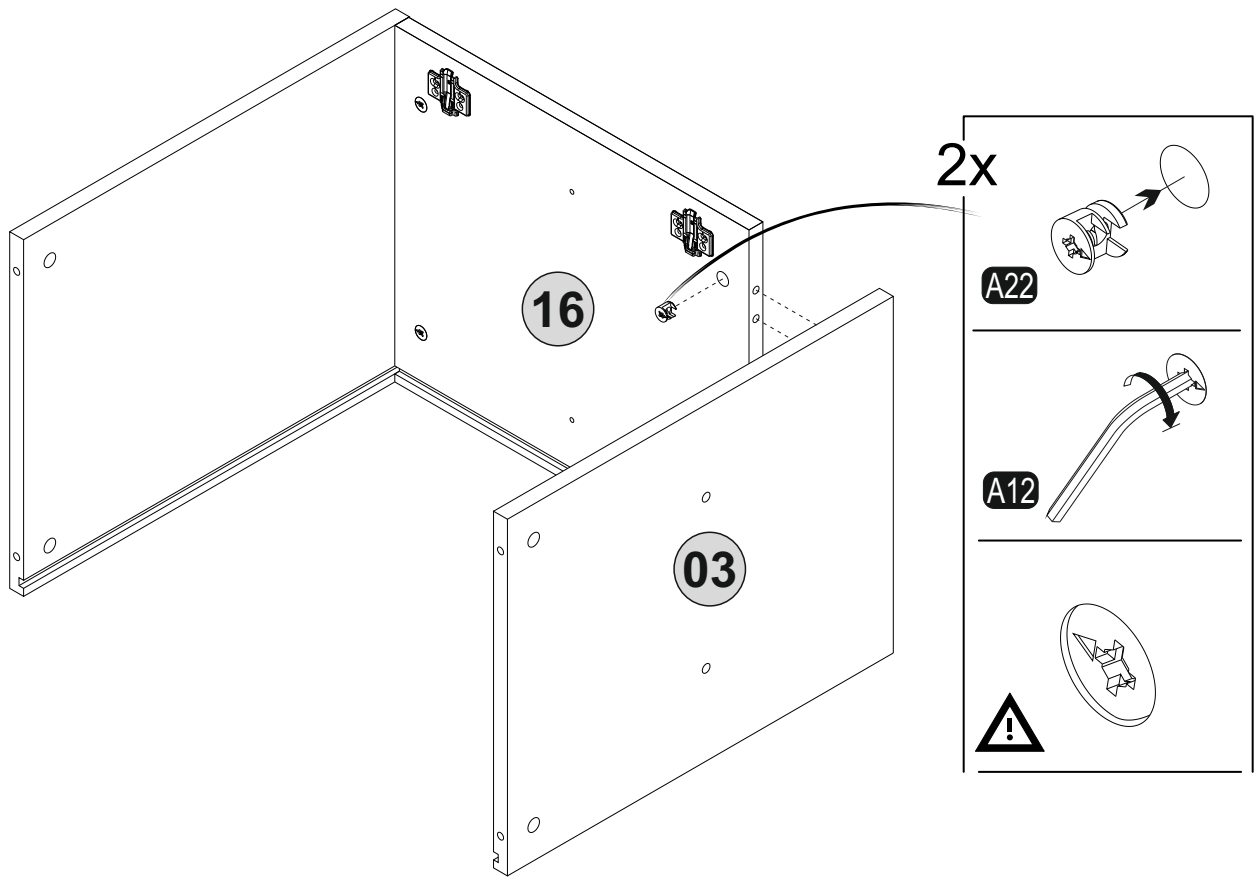
# 9<sub>step</sub>



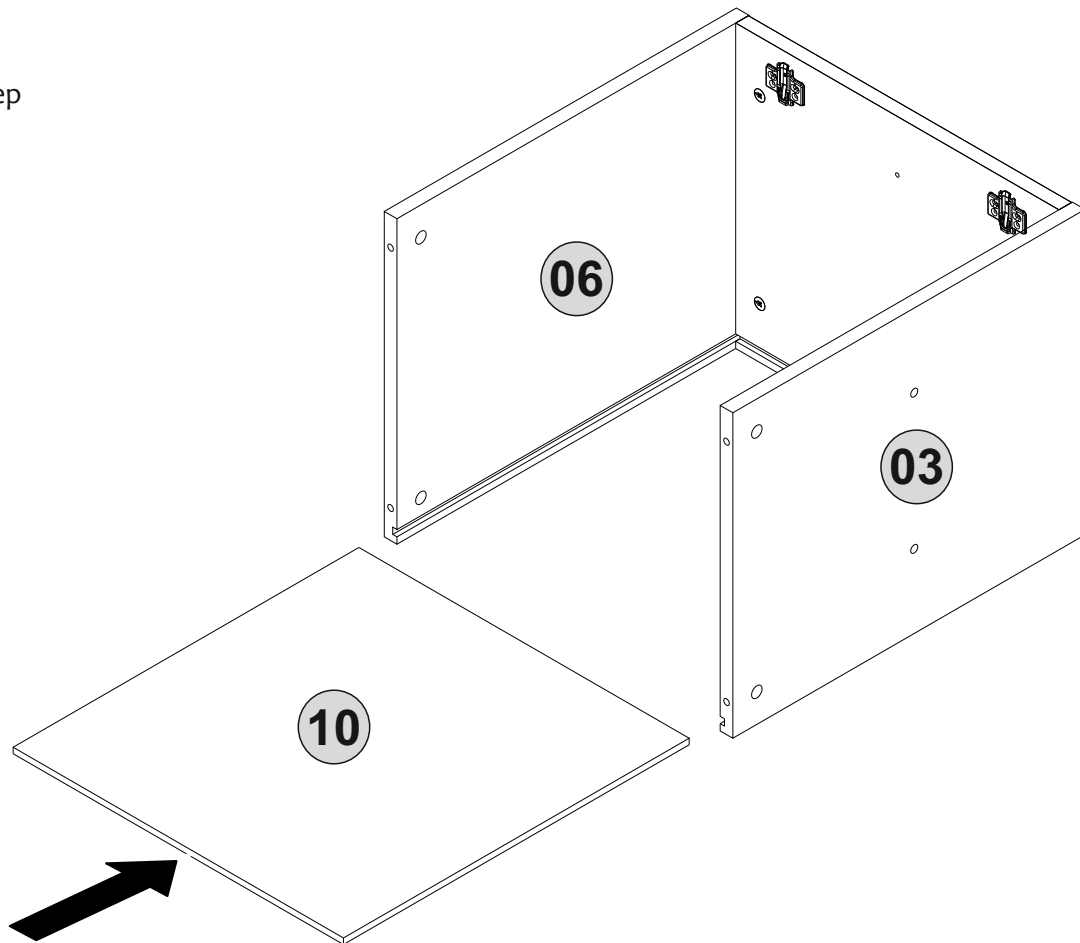
# 10<sub>step</sub>



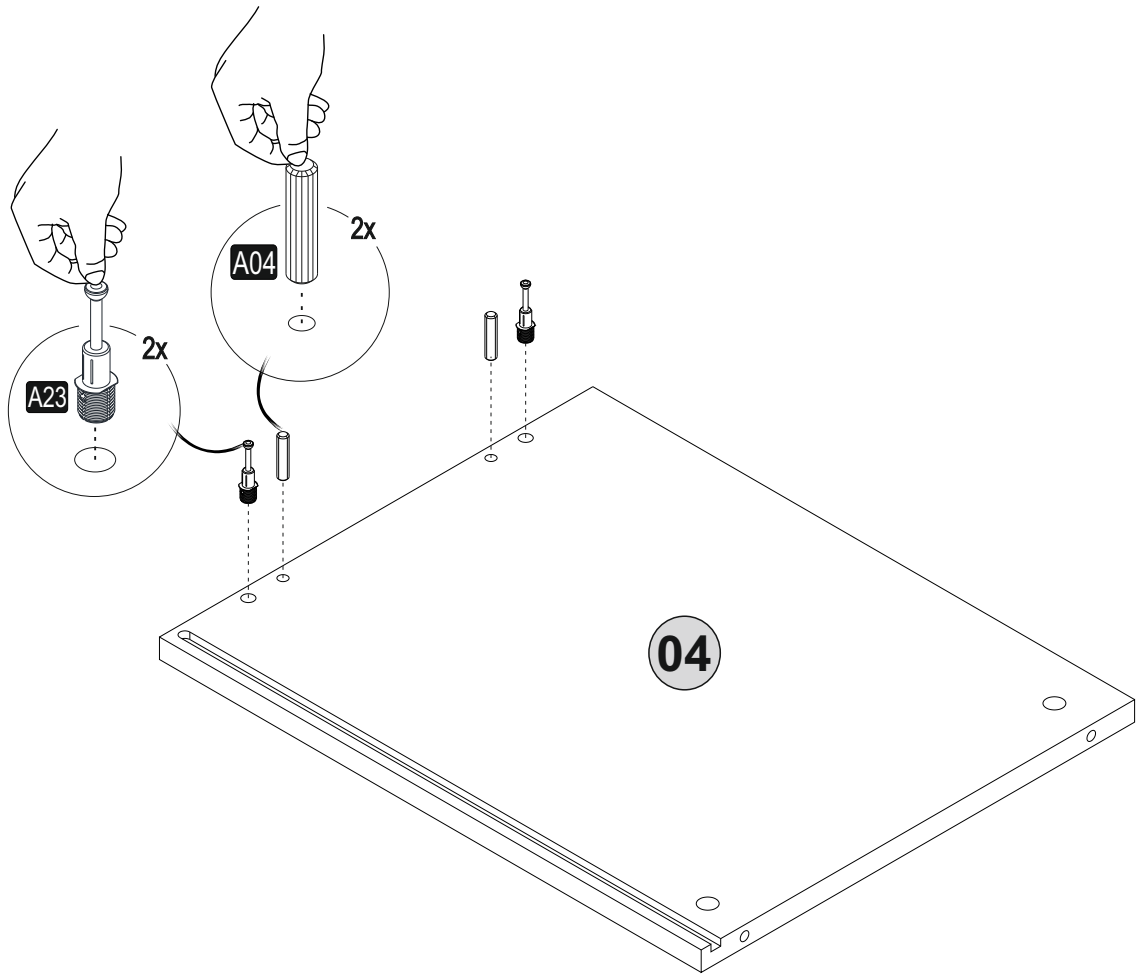
# 11.<sup>step</sup>



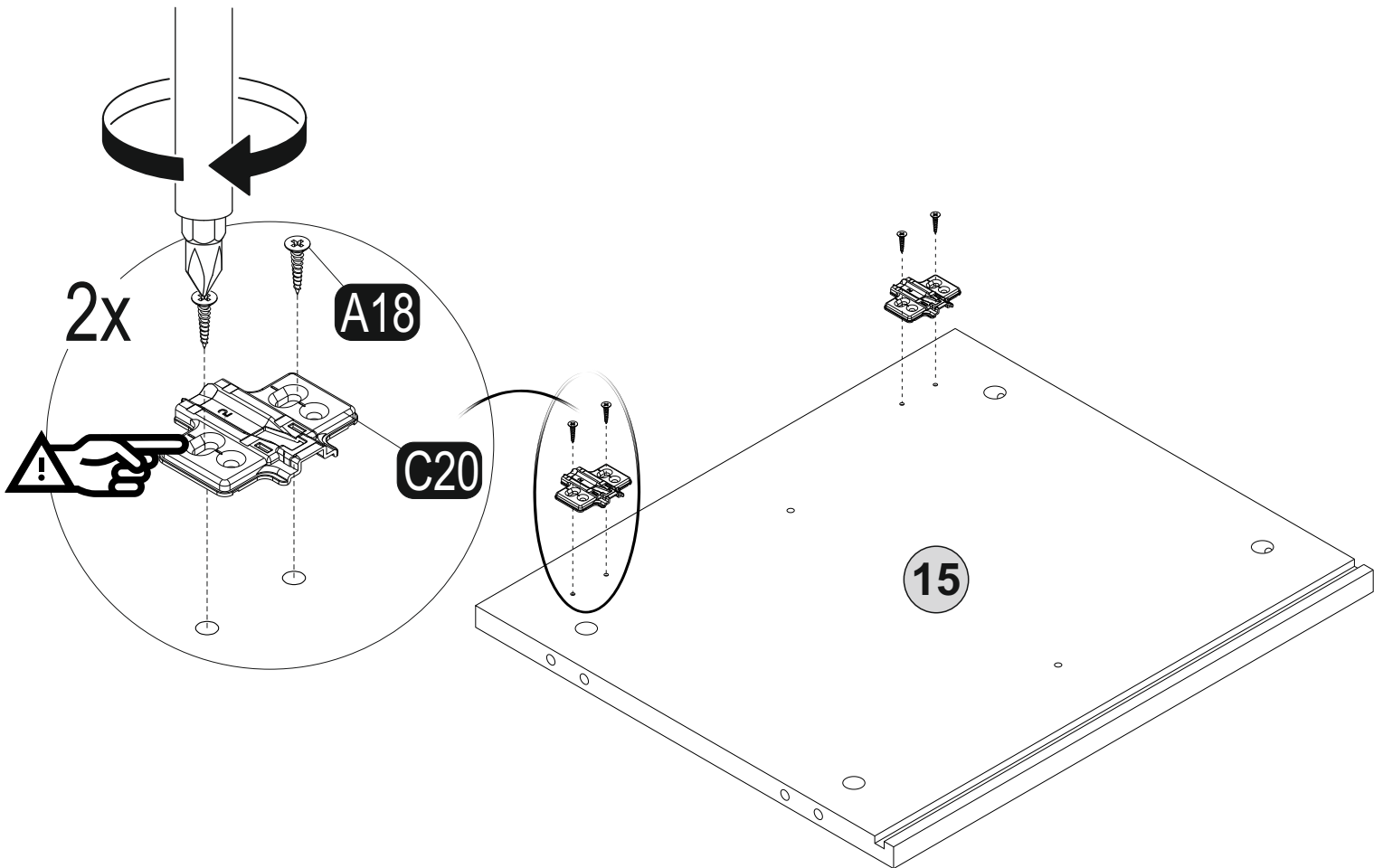
# 12.<sup>step</sup>



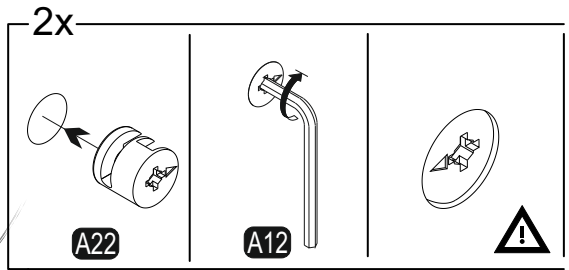
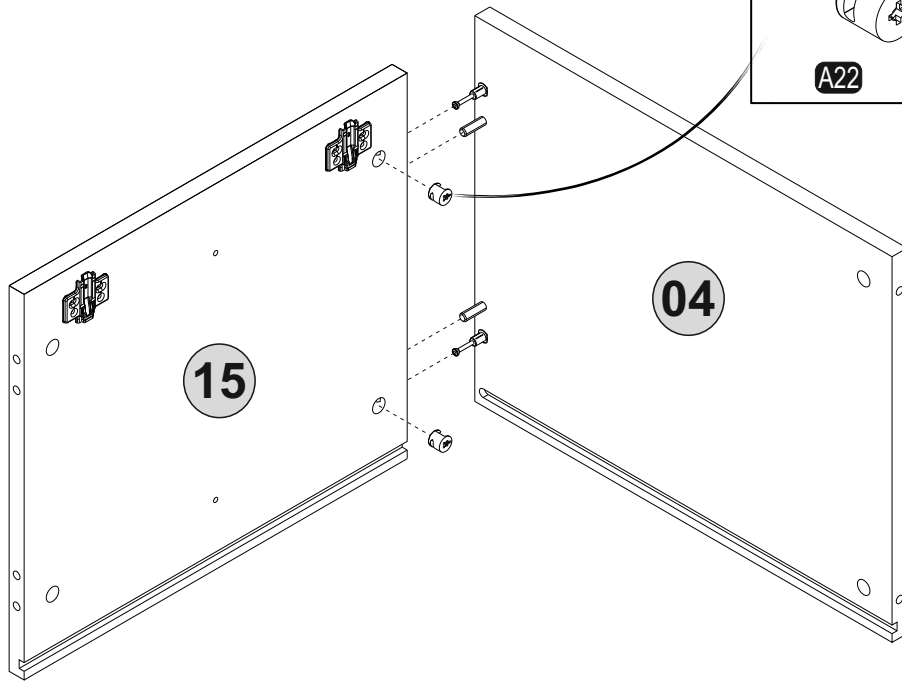
# 13.<sup>step</sup>



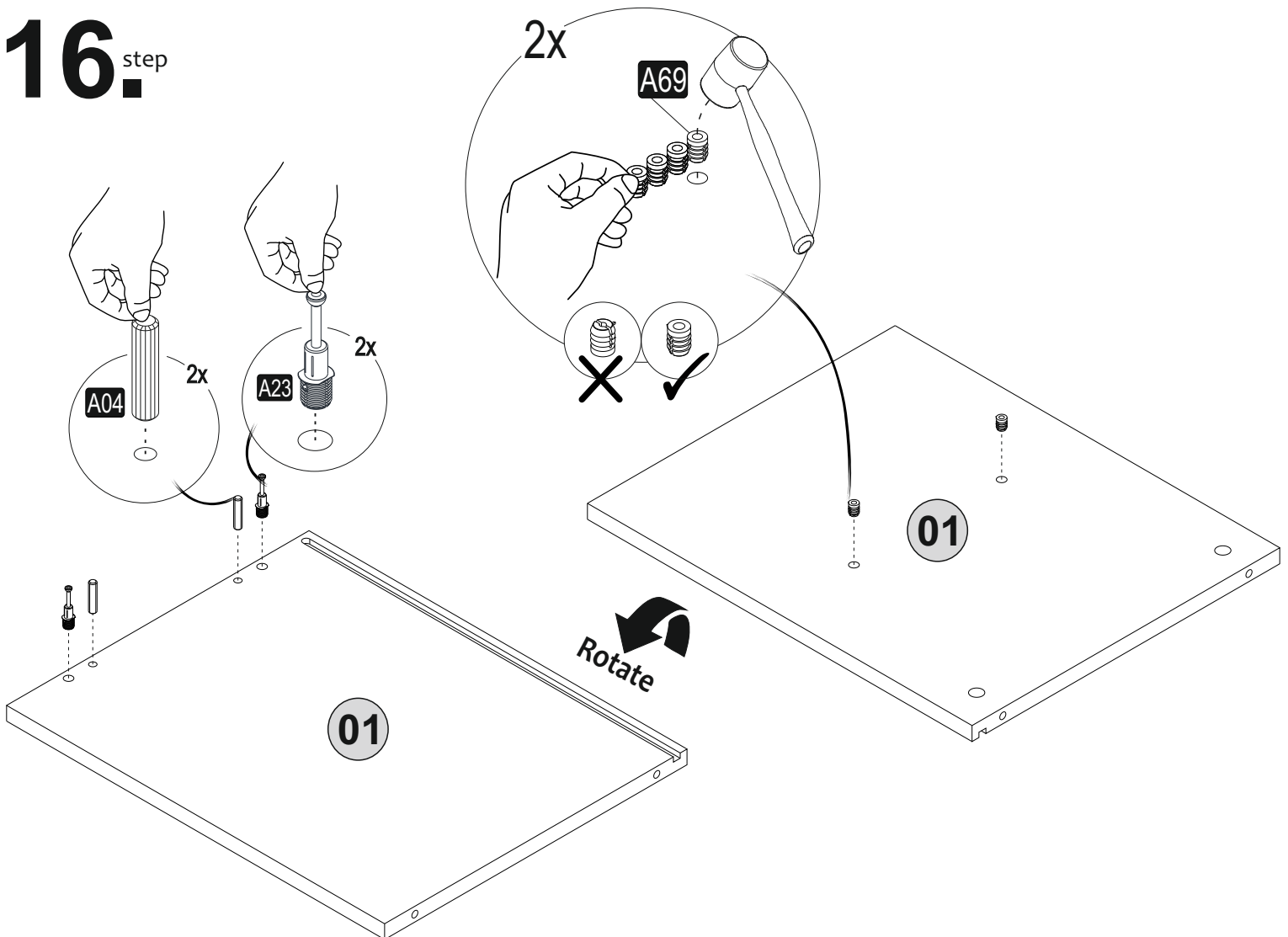
# 14.<sup>step</sup>



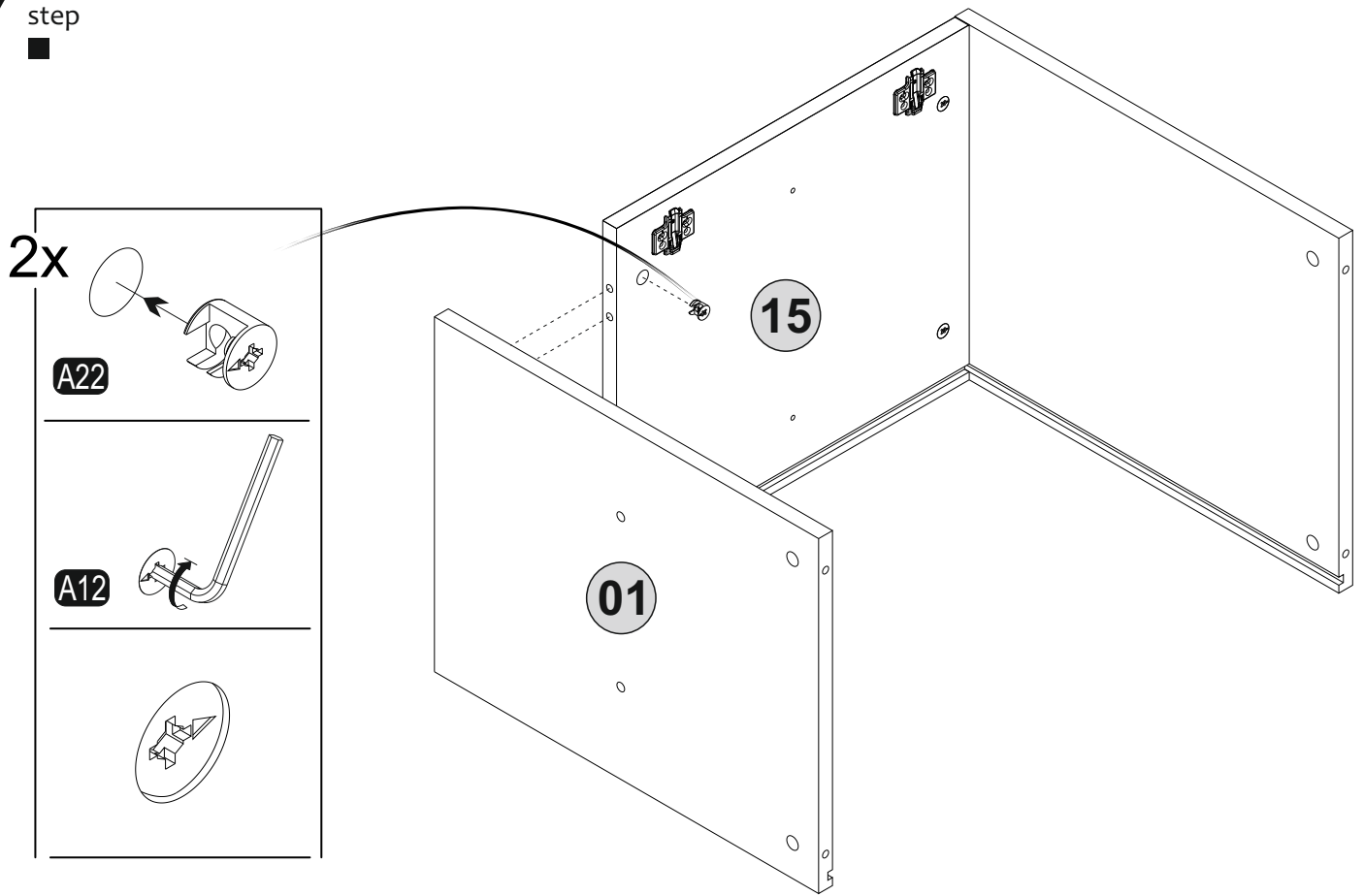
# 15.<sup>step</sup>



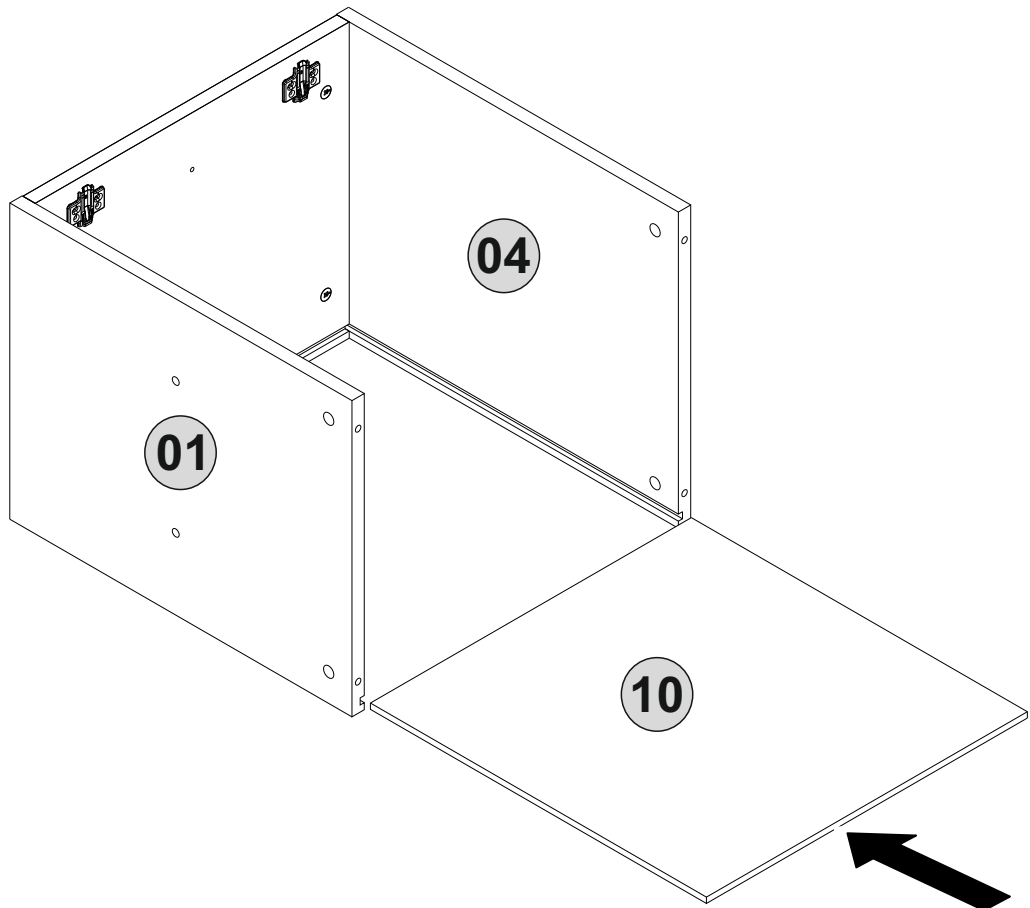
# 16.<sup>step</sup>



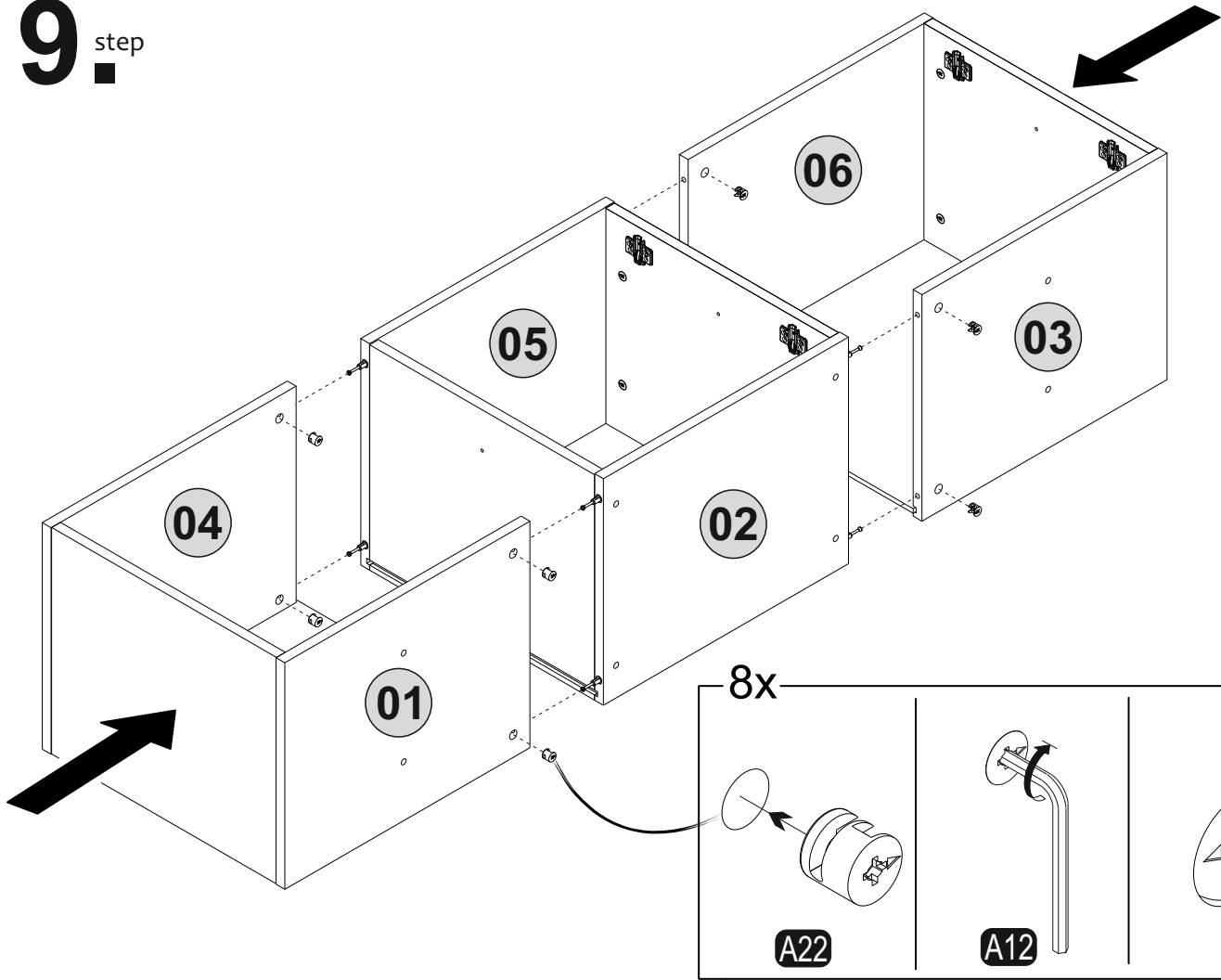
# 17. step



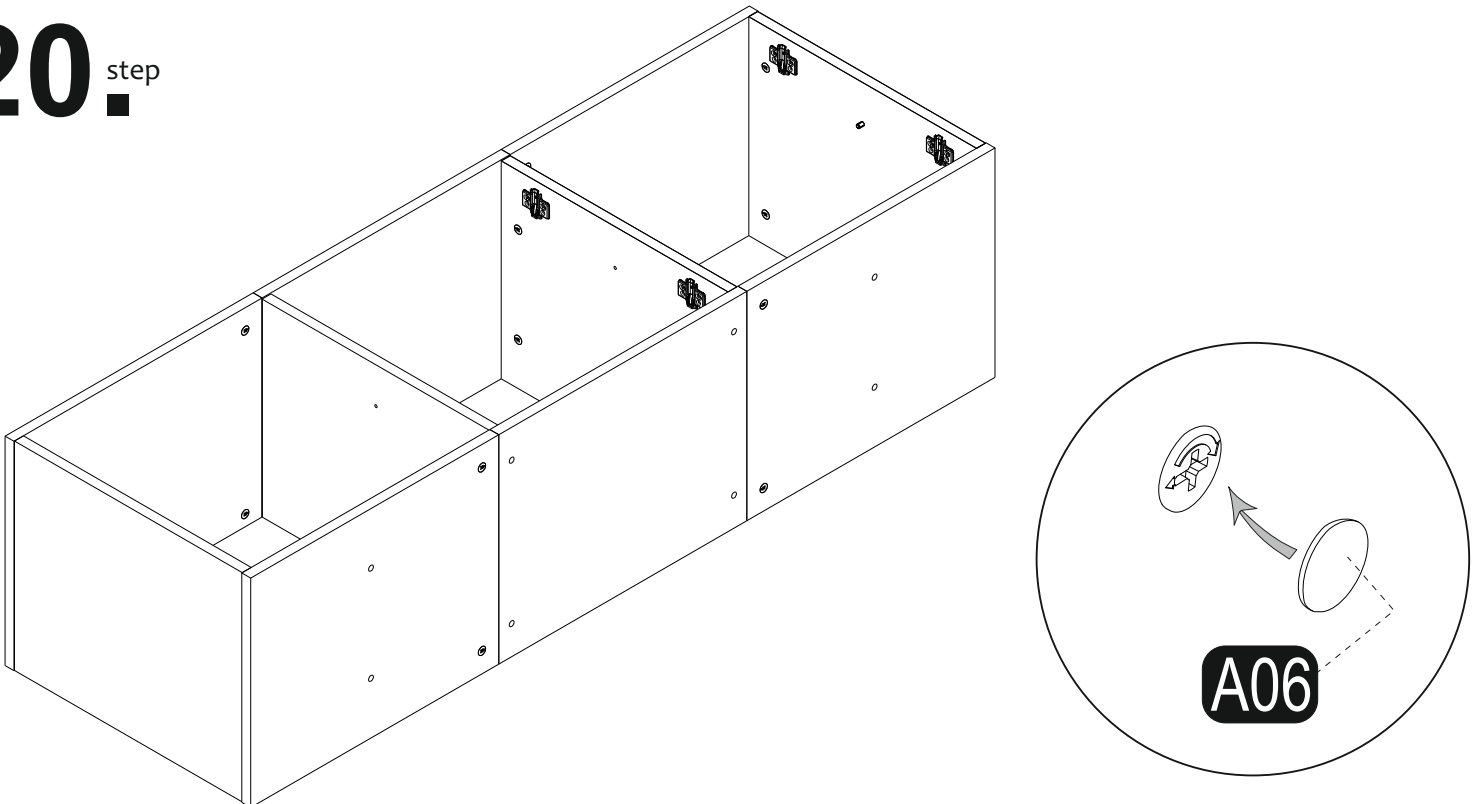
# 18. step



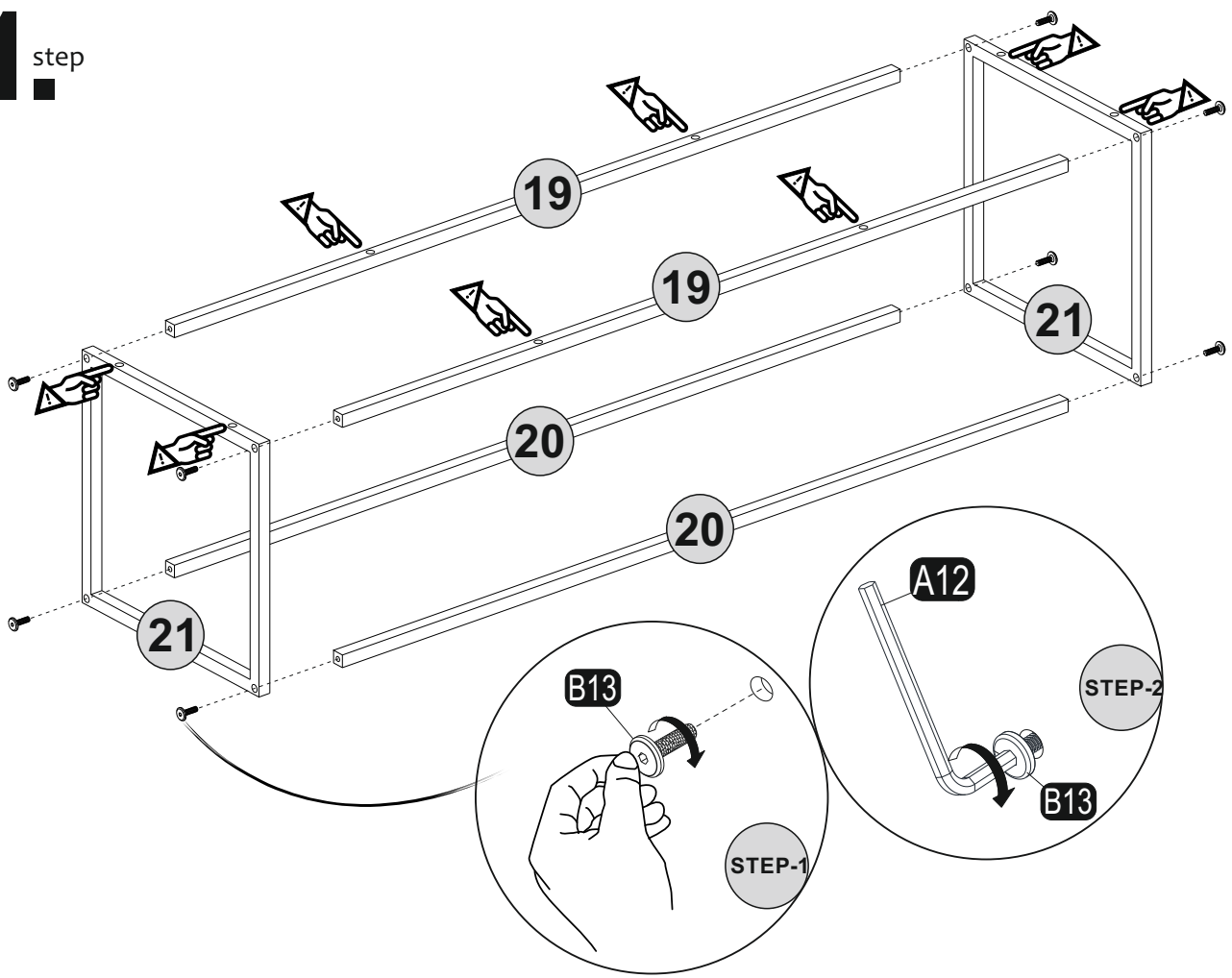
# 19<sup>step</sup>



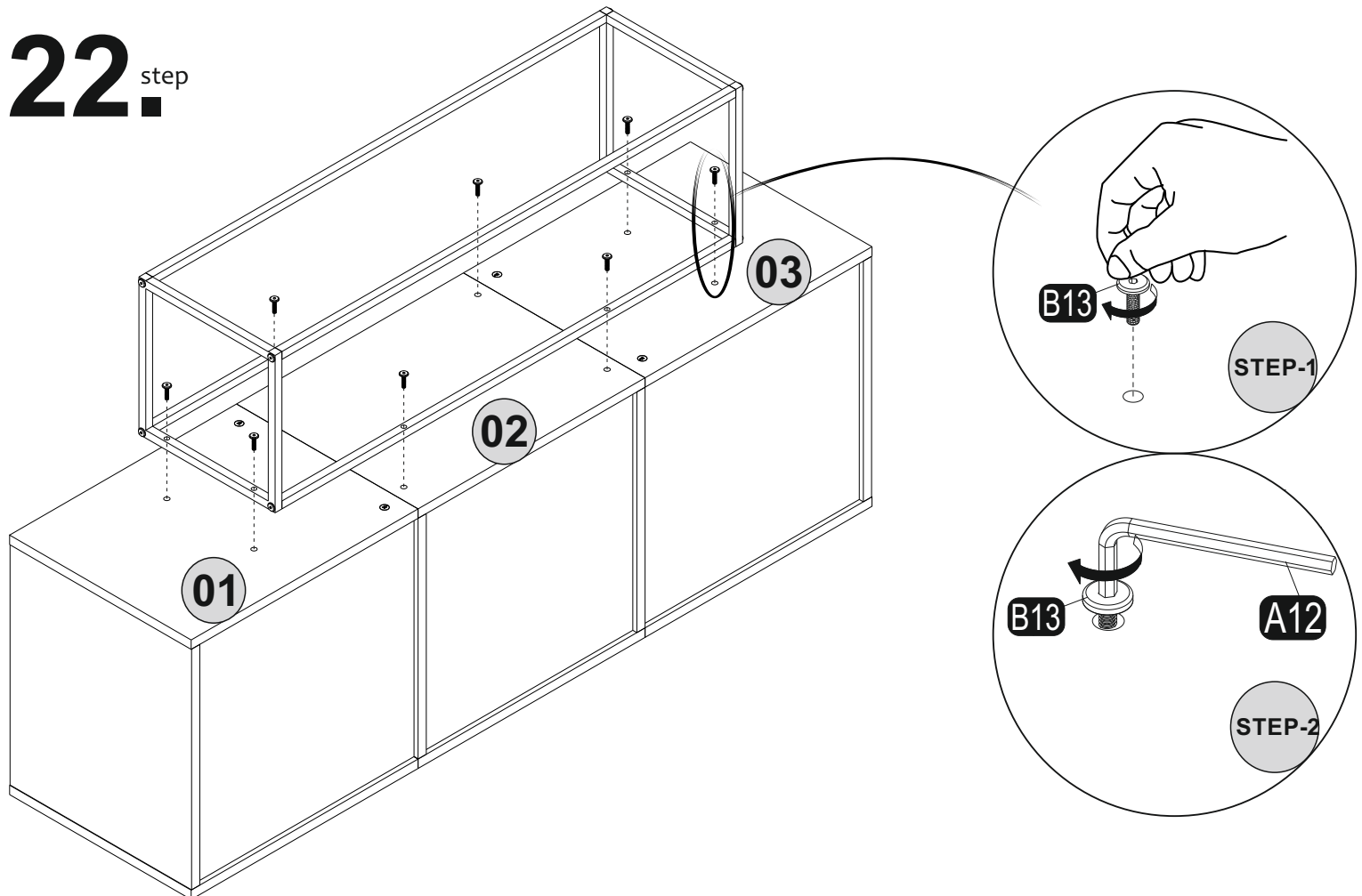
# 20<sup>step</sup>



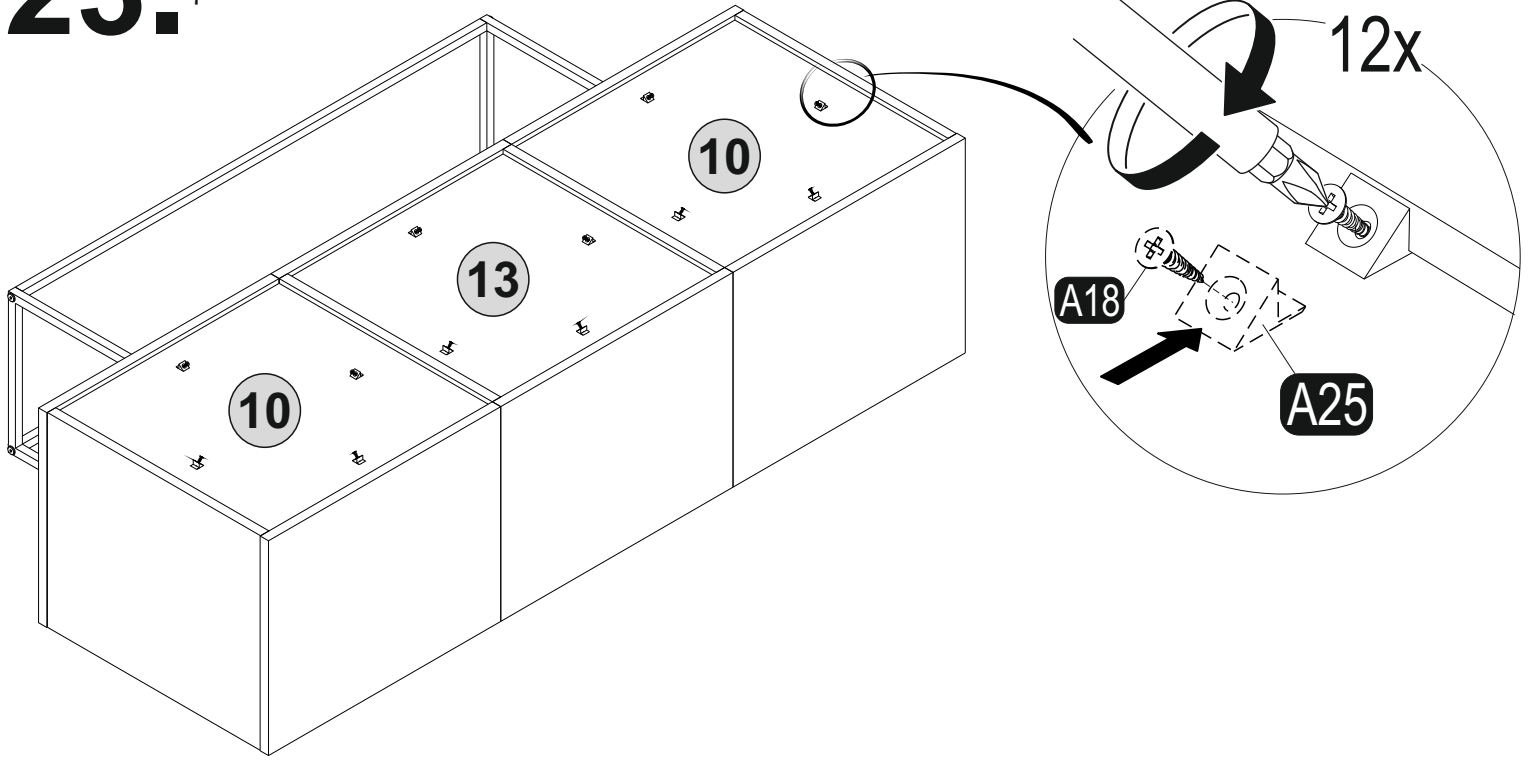
# 21<sup>step</sup>



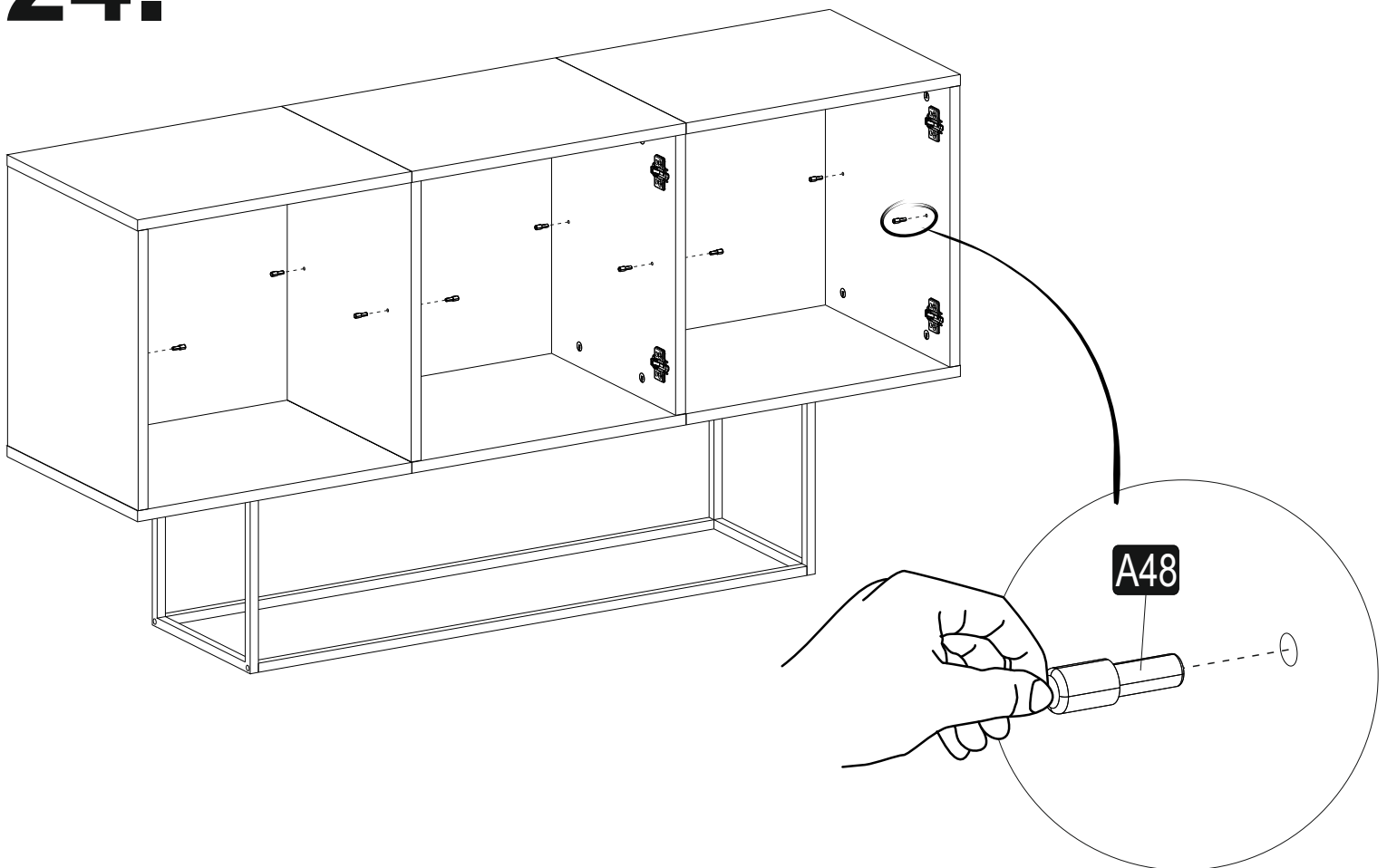
# 22<sup>step</sup>



# 23<sup>step</sup>

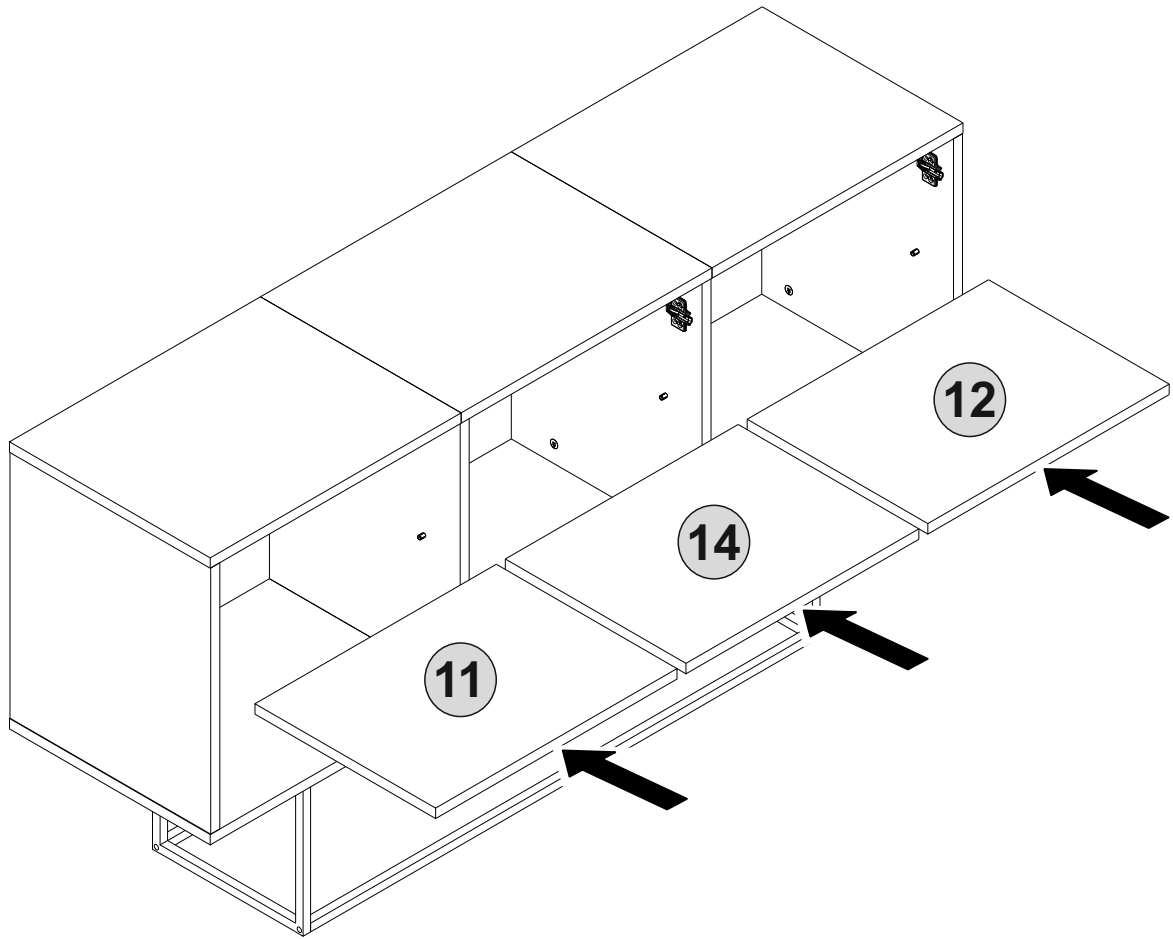


# 24<sup>step</sup>

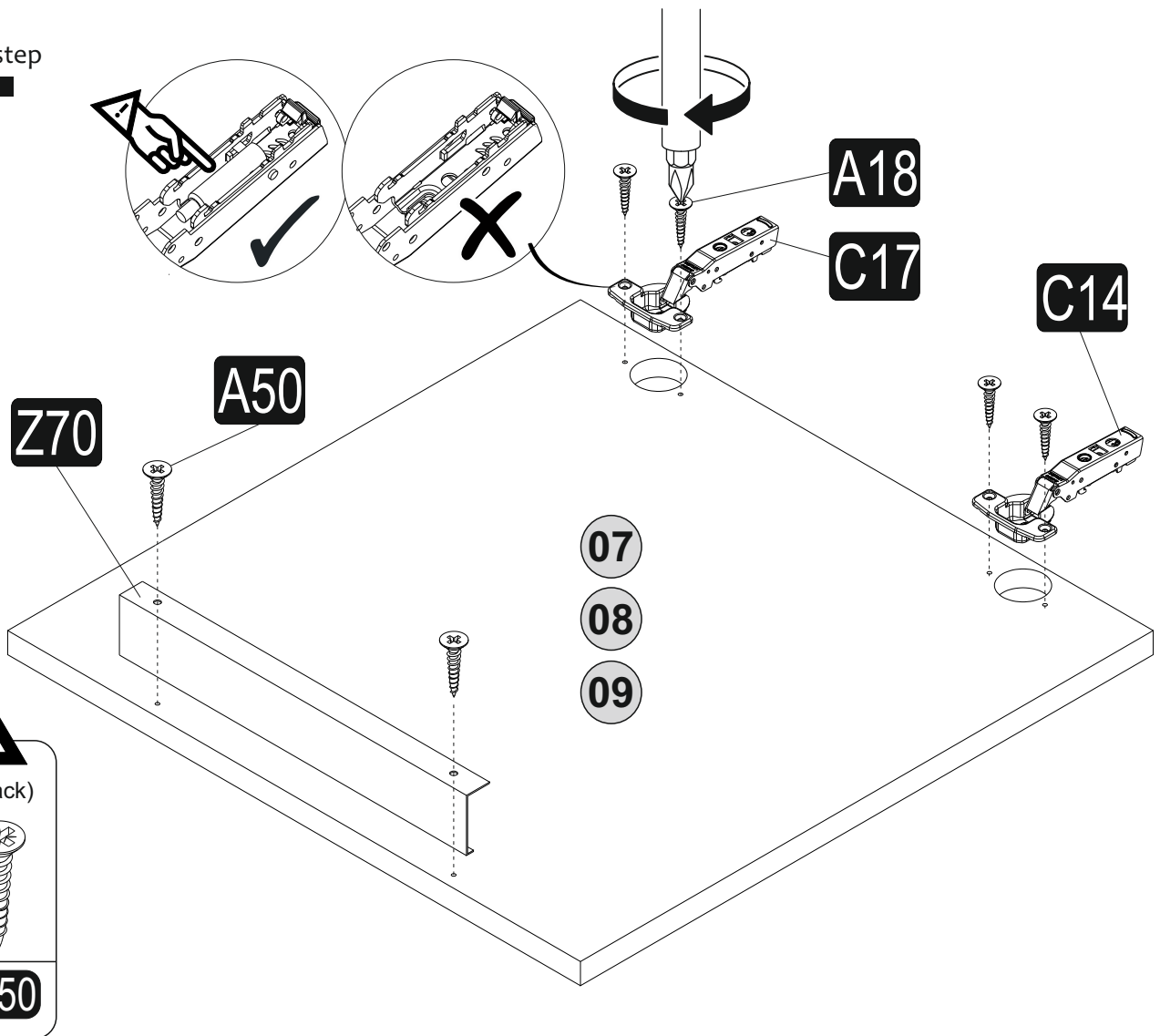




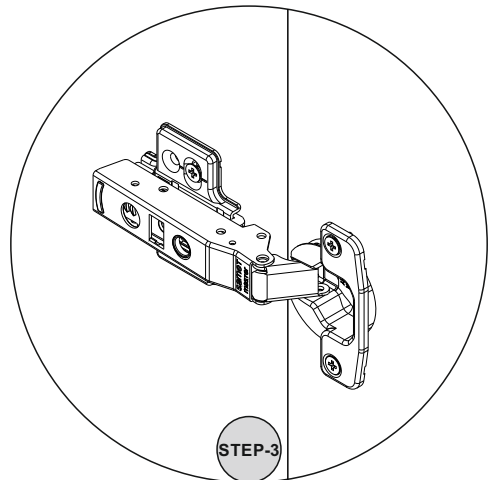
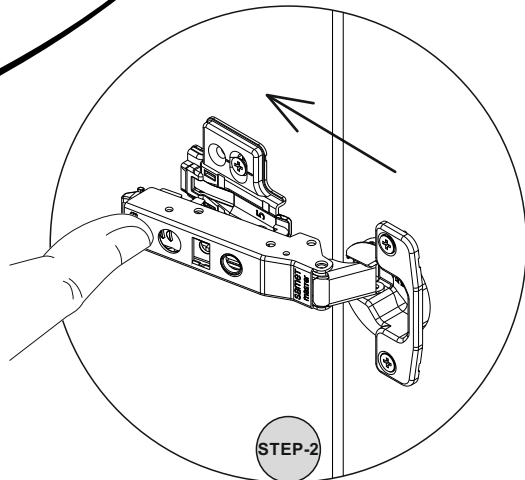
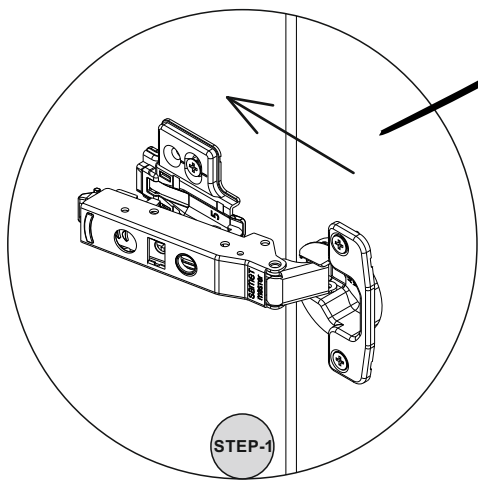
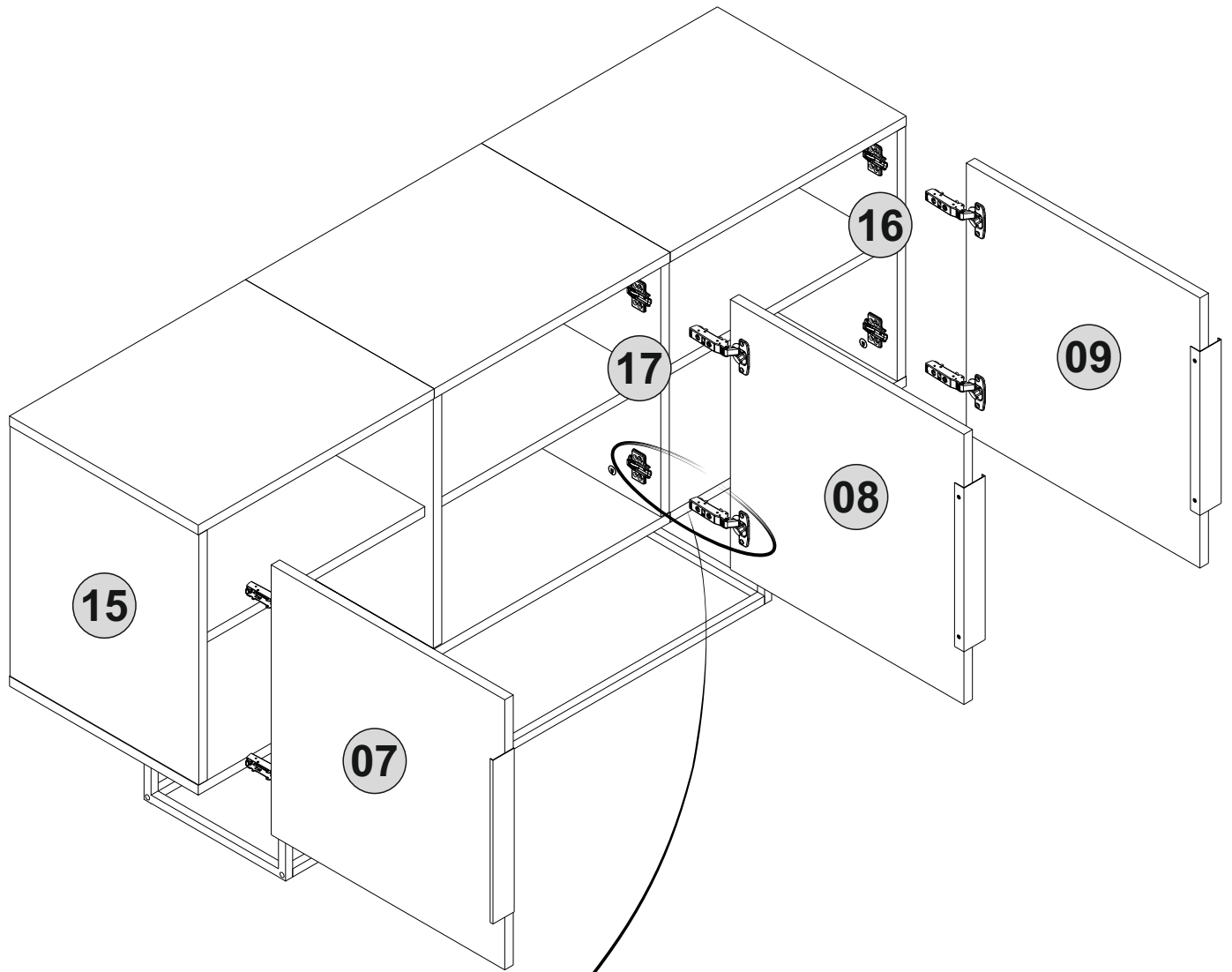
# 25<sup>step</sup>



# 26<sup>step</sup>



# 27. step



# 28.<sup>step</sup>

