

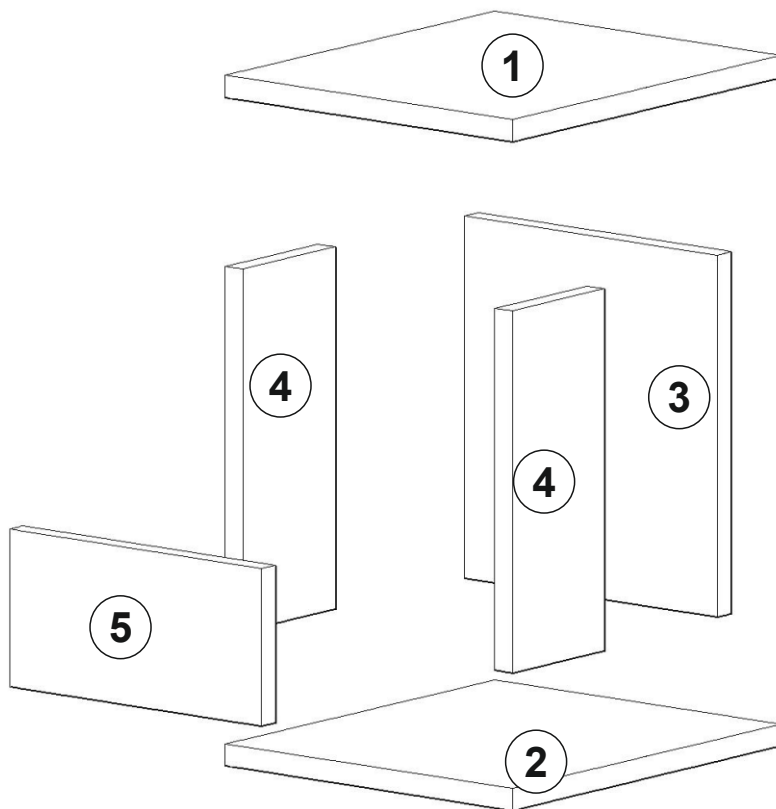


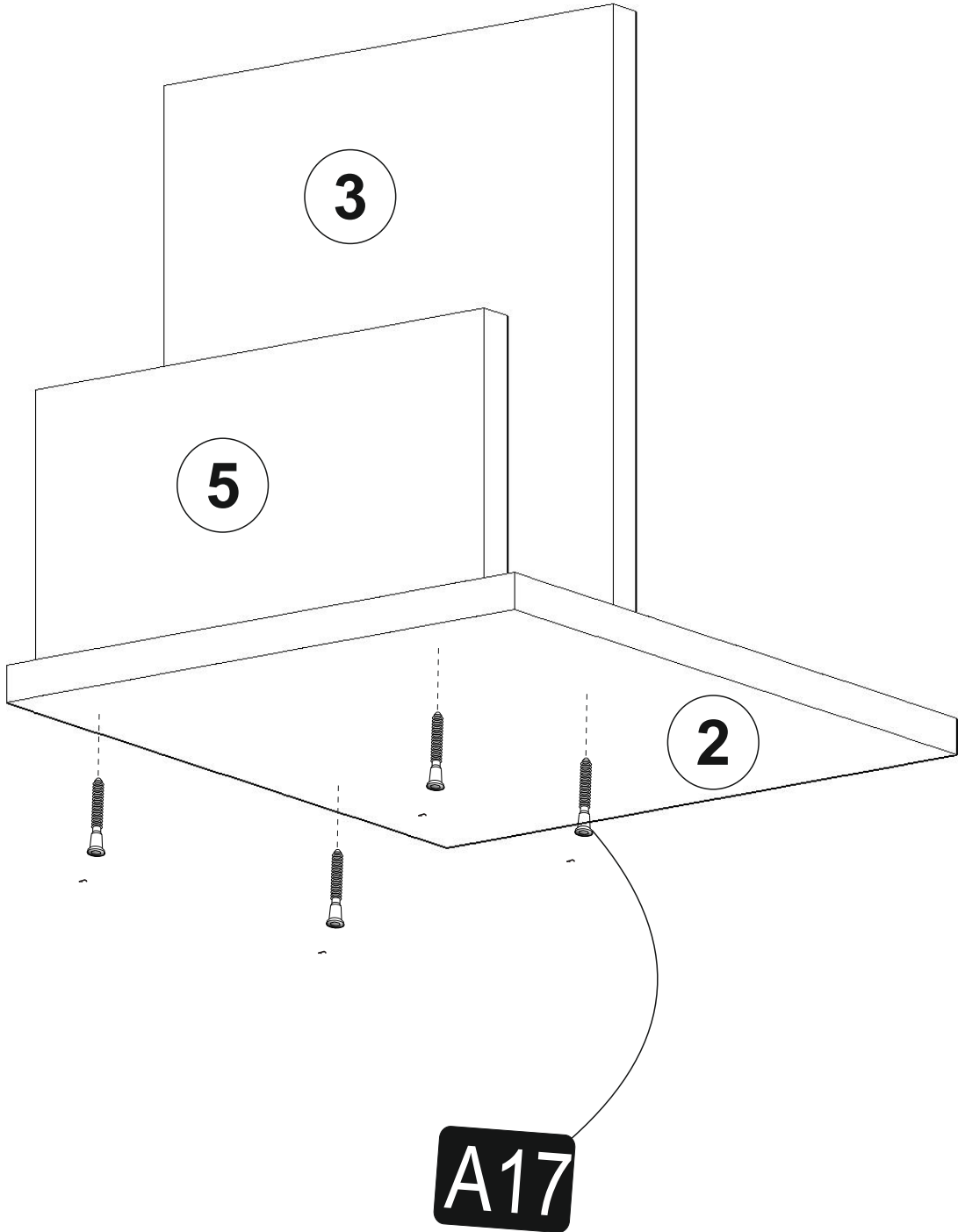
# / ACCESSORY LIST

|   |   |
|---|---|
| <b>A17</b><br><br>4x50<br><b>22x</b> | <b>A06</b><br>tapa<br><br><b>22x</b> |
|---|---|

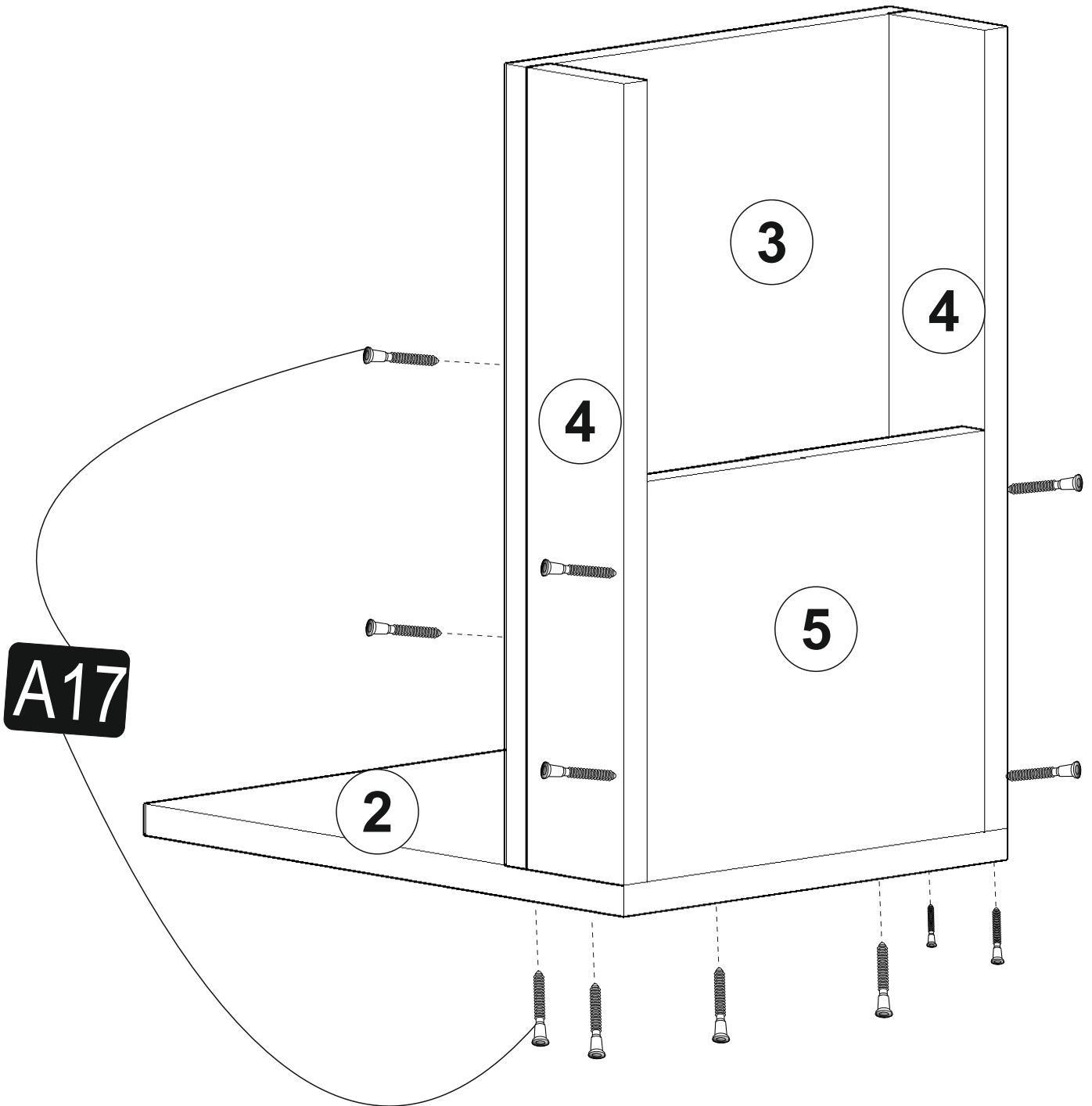
## GENERAL VIEW



# 1



# 2



3

