



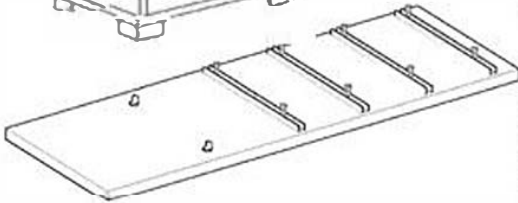
x4 shelf pin

x8 4.50
screws

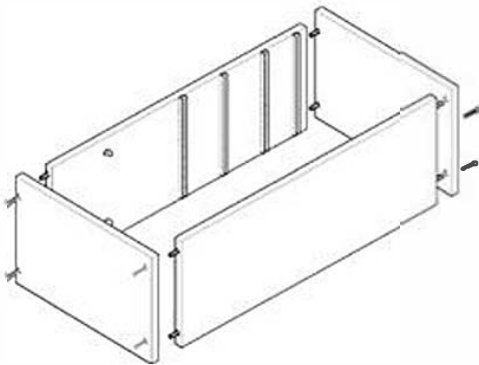
x24 3.5*18
screws

X12 4.30 screws

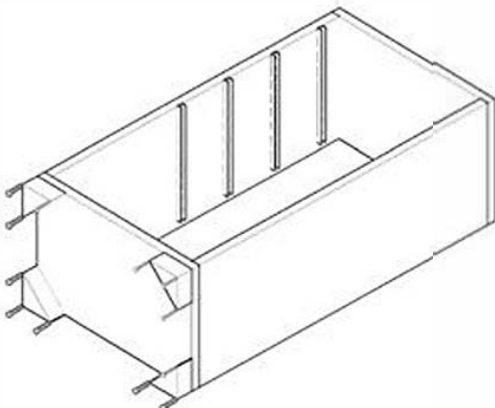
X8 DOWELS



STEP 1
INSTALL THE RAILS WITH
3.5*18 SCREWS IN THE SIDE
PARTS THAT THE CUT
SECTIONS OF THE RAILS
REMAIN ON THE TOP.



STEP 2
ASSEMBLE THE UPPER AND
BOTTOM PLATE WITH THE
ASSIST OF 4.50 AND THE
CASE AS IN THE FIGURE



STEP 3
MOUNT THE FEET TO
THE BOTTOM WITH
4.30 SCREWS. AND
FINALLY, ATTACH THE
BASKETS TO THE
RAILS AND OVER THE
LOCATED SHELF PINS.