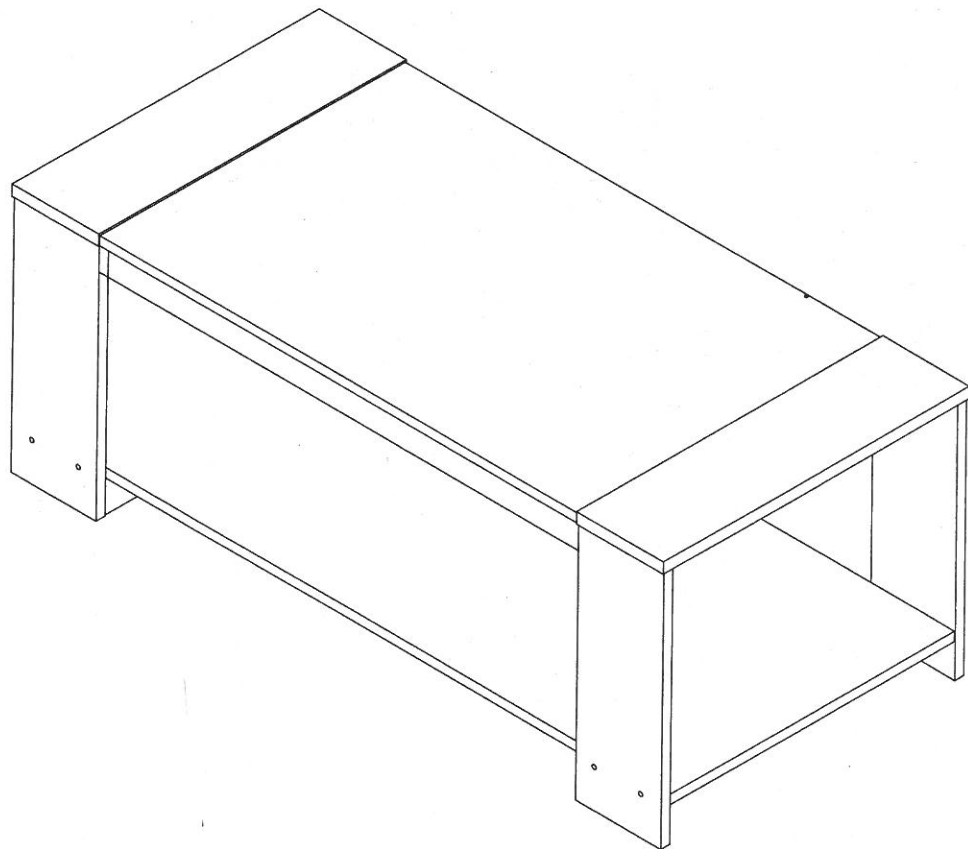


**CAUTION:**

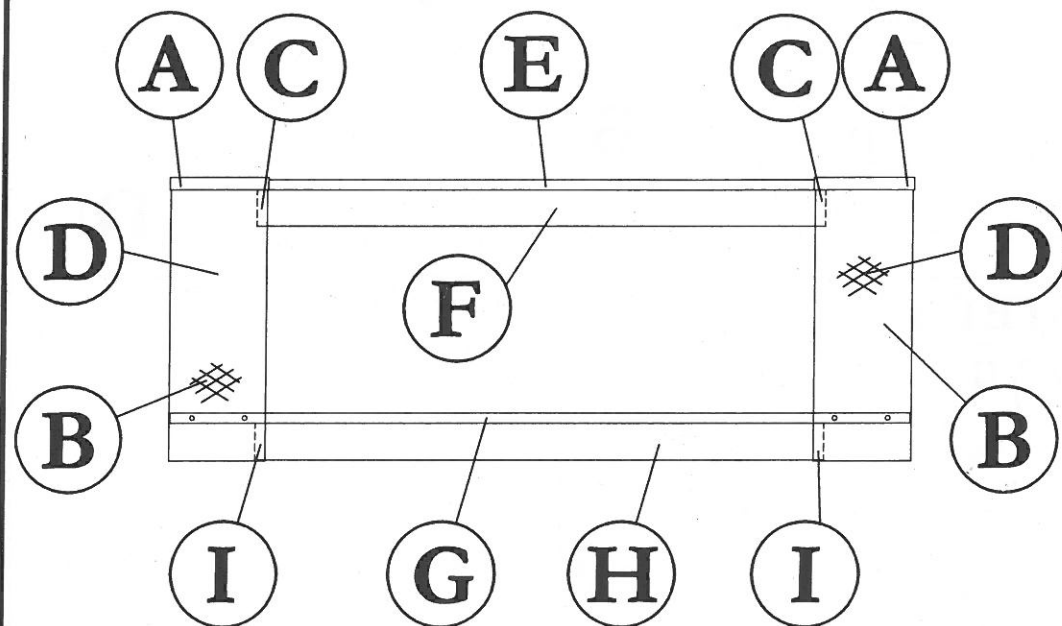
To clean use soft, dry cloth. Do not use detergent or chemicals  
Avoid contact with water and direct sunlight.  
To be assembled on a soft, dry, clean and smooth surface.



# COMPLETE SET

**ORDERING REPAIR PARTS**

In order to obtain smooth and rapid service when ordering repair parts, please give full attention to the following of PART NUMBER.



| NO | DESCRIPTION                   | QTY |
|----|-------------------------------|-----|
| A  | TOP (Left/Right)              | 02  |
| B  | LEFT/RIGHT SIDE               | 02  |
| C  | LEFT/RIGHT SIDE SUPPORT (Top) | 02  |
| D  | LEFT/RIGHT SIDE               | 02  |
| E  | TOP (Centre)                  | 01  |

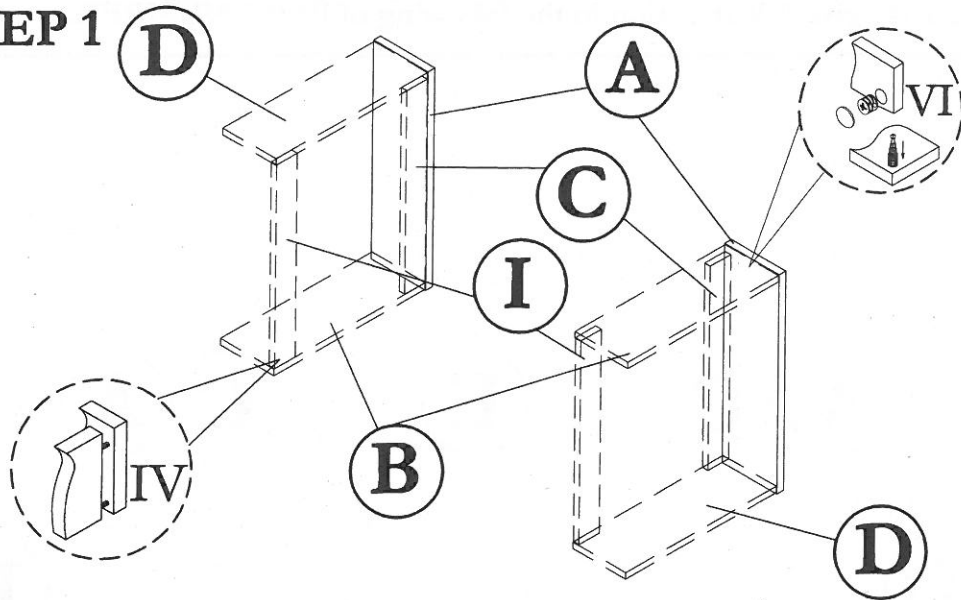
| NO | DESCRIPTION                      | QTY |
|----|----------------------------------|-----|
| F  | TOP SUPPORT                      | 02  |
| G  | SHELF                            | 01  |
| H  | LEG                              | 01  |
| I  | LEFT/RIGHT SIDE SUPPORT (Bottom) | 02  |

# ASSEMBLY INSTRUCTION

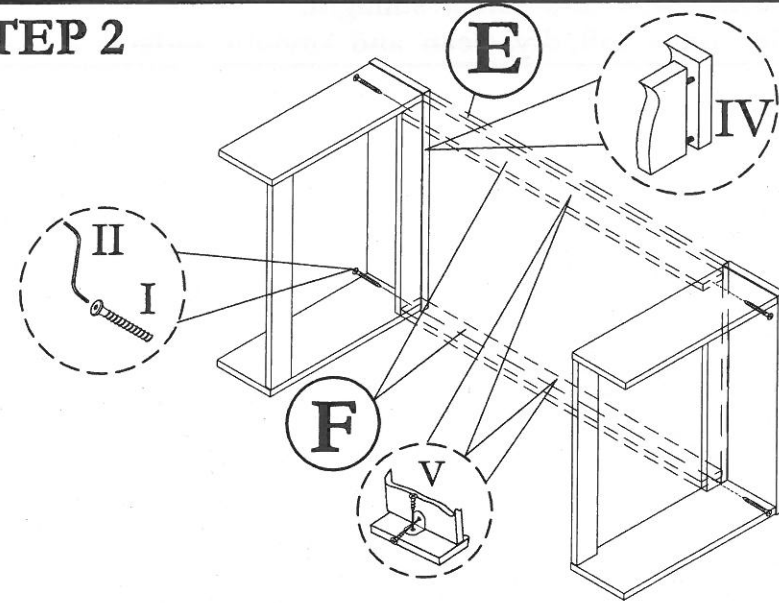
## MODEL : 2151 / COFFEE TABLE

Before you begin, please follow assembly instruction carefully.  
Then follow them step by step.

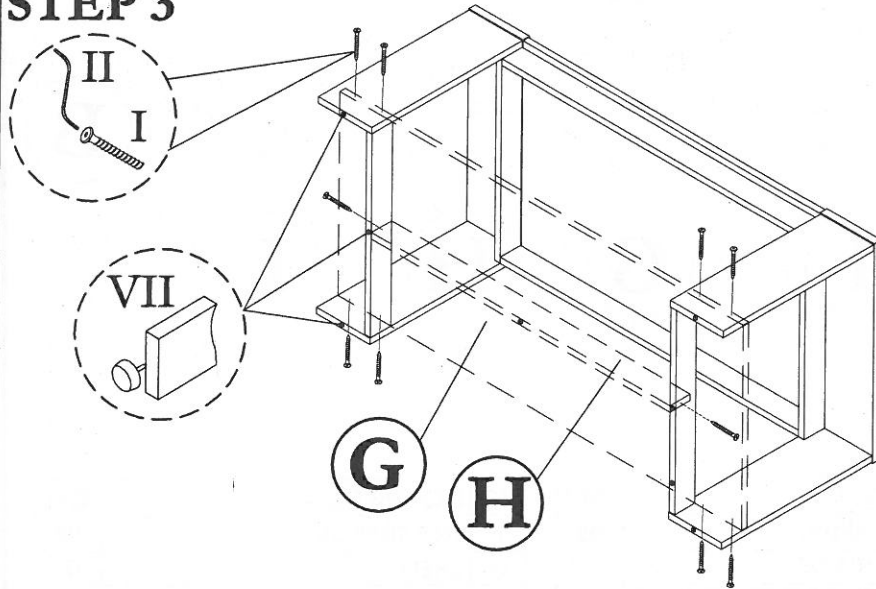
### STEP 1



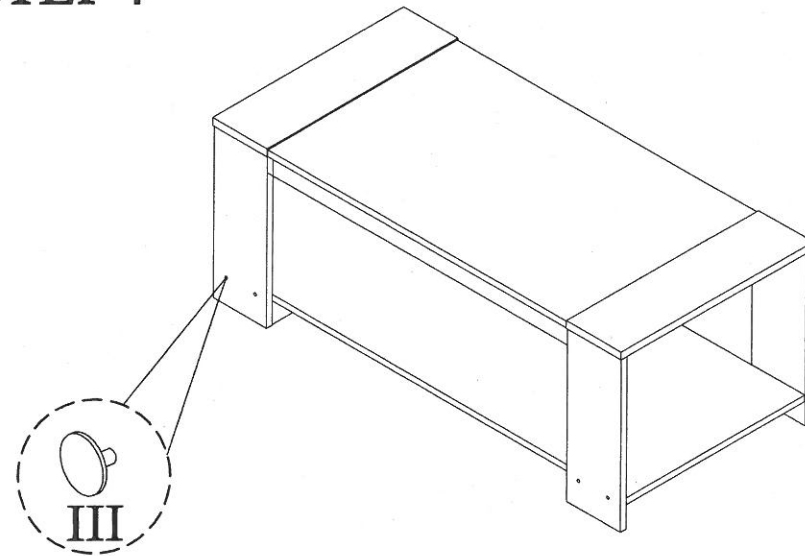
### STEP 2



### STEP 3


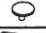





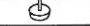
### STEP 4



#### HARDWARE LIST

| NO | DESCRIPTION         | QTY   |
|----|---------------------|-------|
| I  | JCBCW SCREW M6 x 45 | 14pcs |

|     |                       |   |       |
|-----|-----------------------|---|-------|
| II  | M4 ALLEN KEY          |  | 1pc   |
| III | CAP SMALL             |  | 8pcs  |
| IV  | M8 X 30 PLASTIC DOWEL |  | 30pcs |

|     |                             |   |       |
|-----|-----------------------------|---|-------|
| V   | L BRACKET & SCREW M3.5 x 12 |  | 4sets |
| VI  | Q-FIT                       |  | 4sets |
| VII | PVC NAIL WITH PIN           |  | 7pcs  |