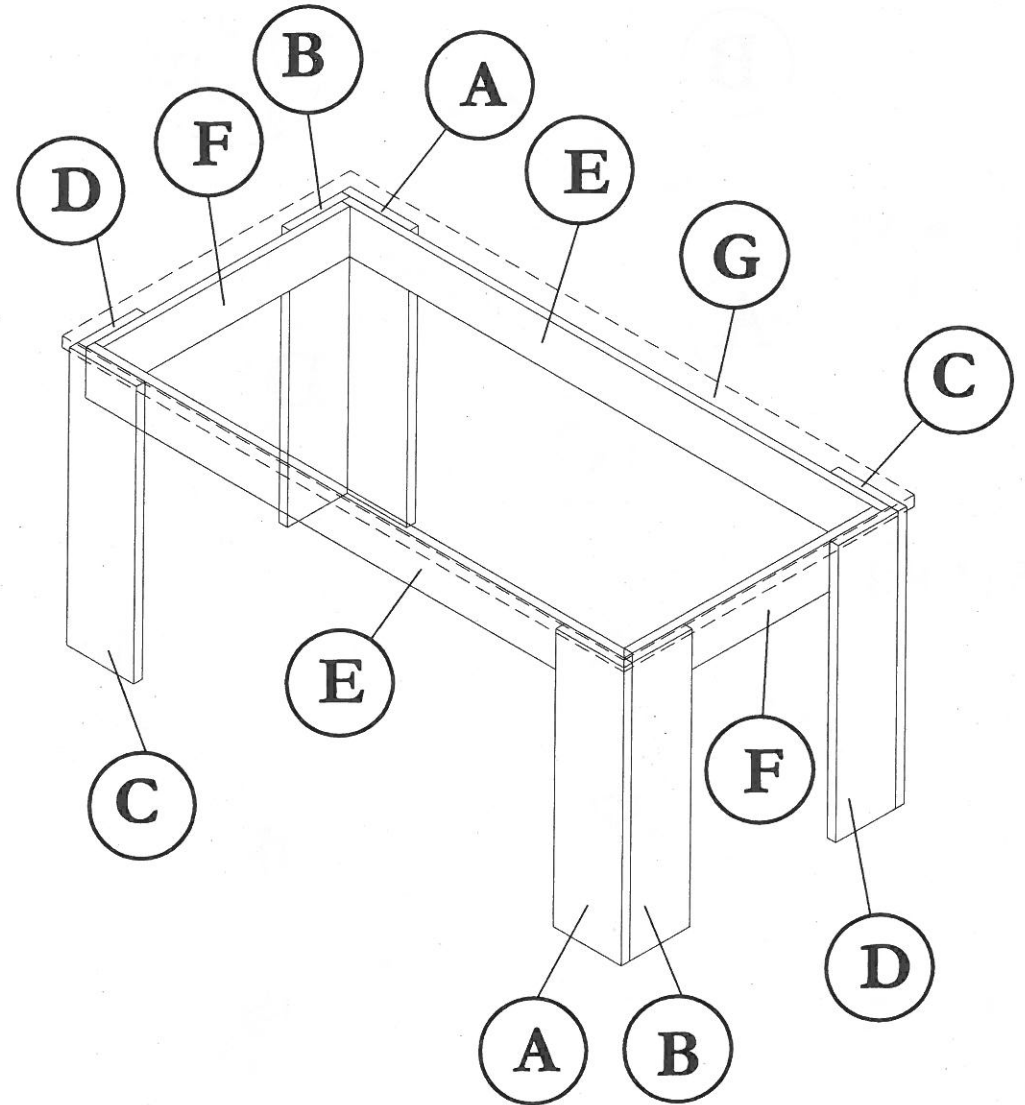
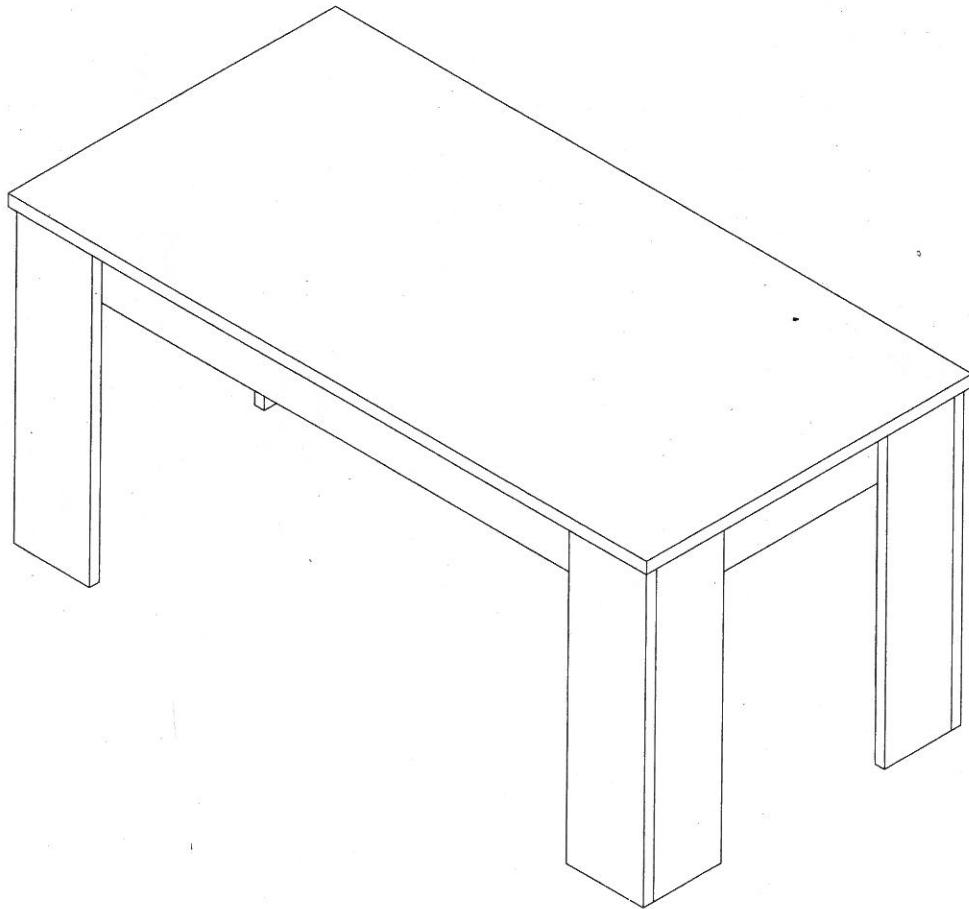


CAUTION:

To clean use soft, dry cloth. Do not use detergent or chemicals
Avoid contact with water and direct sunlight.
To be assembled on a soft, dry, clean and smooth surface.

ORDERING REPAIR PARTS

In order to obtain smooth and rapid service when ordering repair parts,
please give full attention to the following of PART NUMBER.



COMPLETE SET

NO	DESCRIPTION	QTY
A	LEG (Front/Back)	02
B	LEG (Left/Right)	02
C	LEG (Front/Back)	02
D	LEG (Left/Right)	02

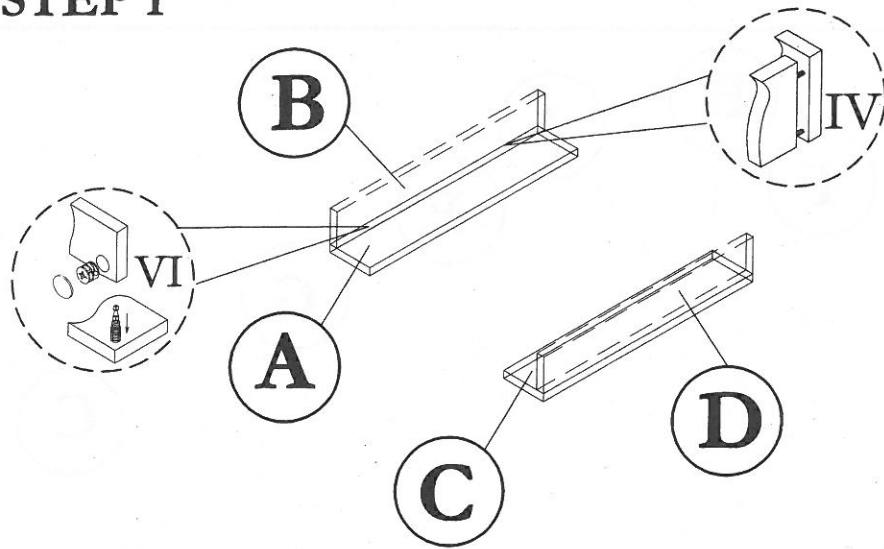
NO	DESCRIPTION	QTY
E	HORIZONTAL SHELF	02
F	HORIZONTAL SHELF	02
G	TABLE TOP	01

ASSEMBLY INSTRUCTION

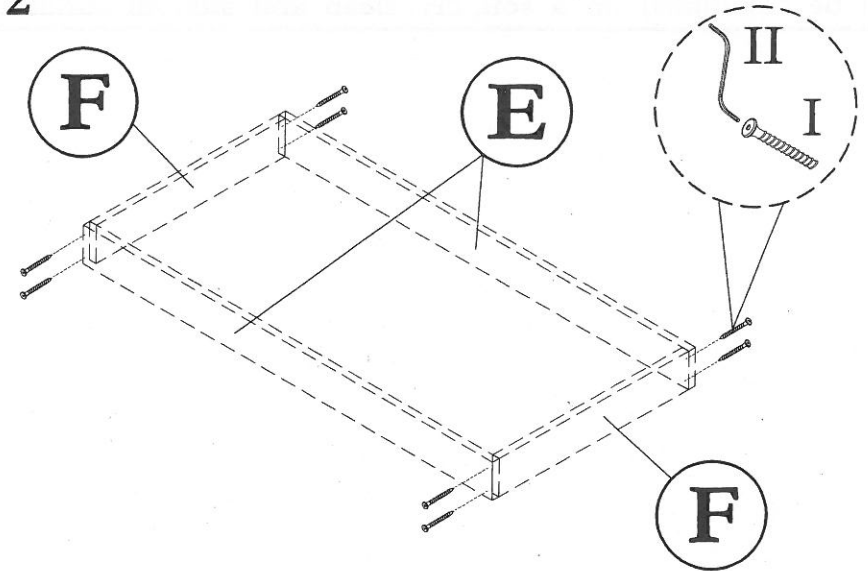
MODEL : 2153/ COFFEE TABLE

Before you begin, please follow assembly instruction carefully.
Then follow them step by step.

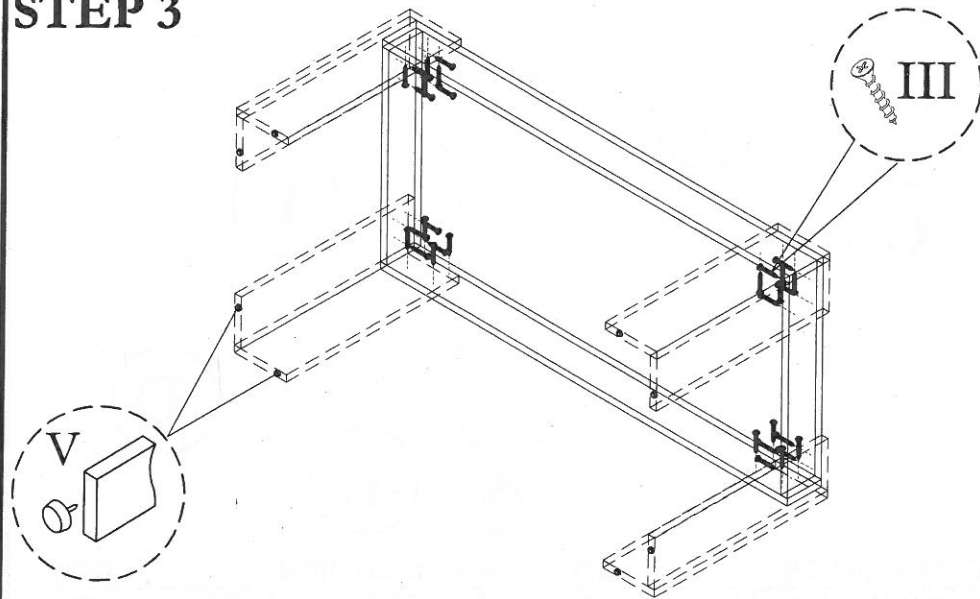
STEP 1



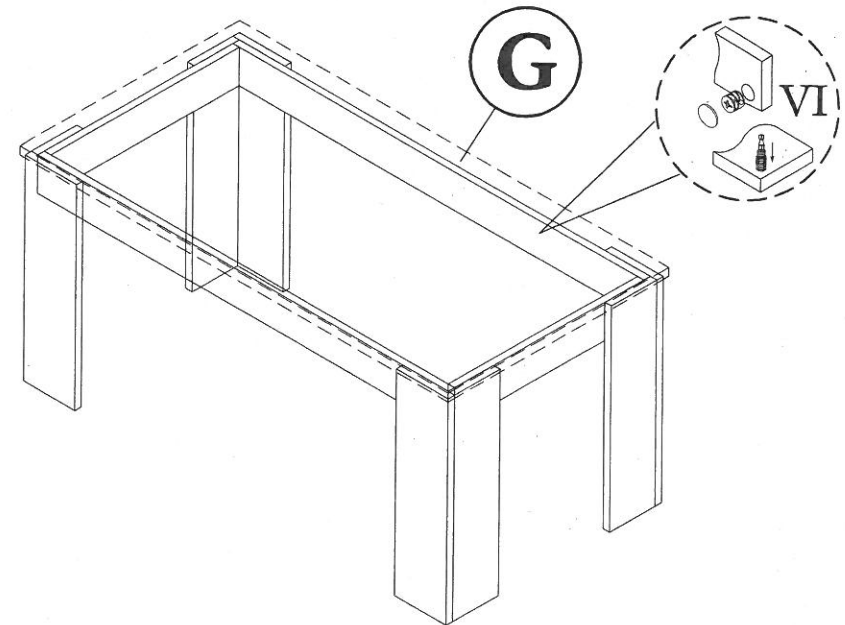
STEP 2



STEP 3





STEP 4



HARDWARE LIST

NO	DESCRIPTION	QTY
I	JCBCW SCREW M6 x 45	8pcs

II	M4 ALLEN KEY		1pc
III	M3.5 x 30 CHIPBOARD SCREW		32pcs
IV	PLASTIC DOWEL		4pcs

V	PVC NAIL WITH PIN		8pcs
VI	Q-FIT, CAP-4PCS		12sets