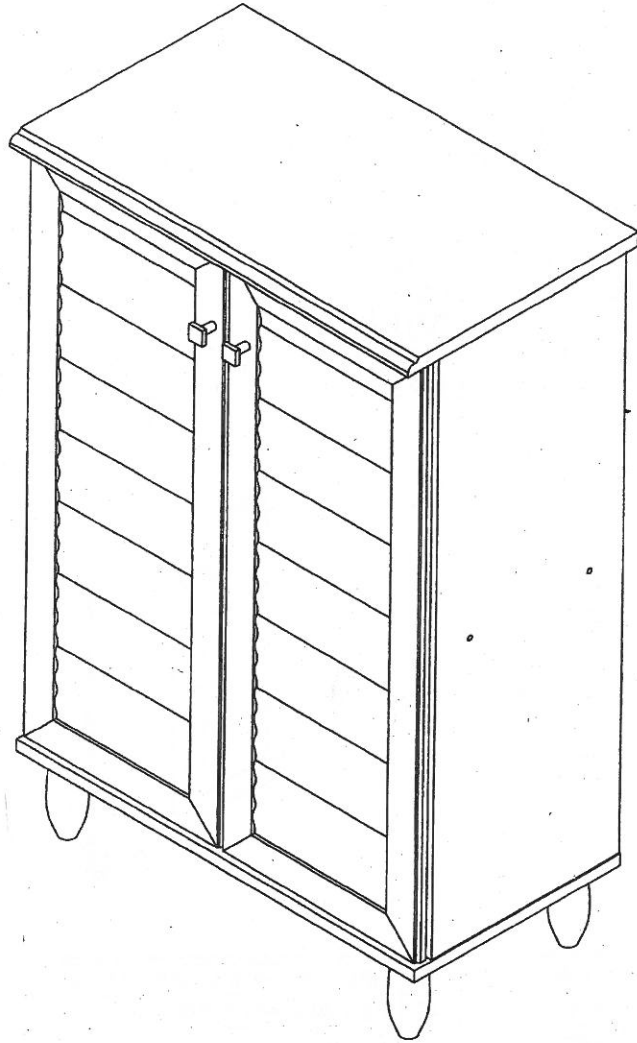


CAUTION:

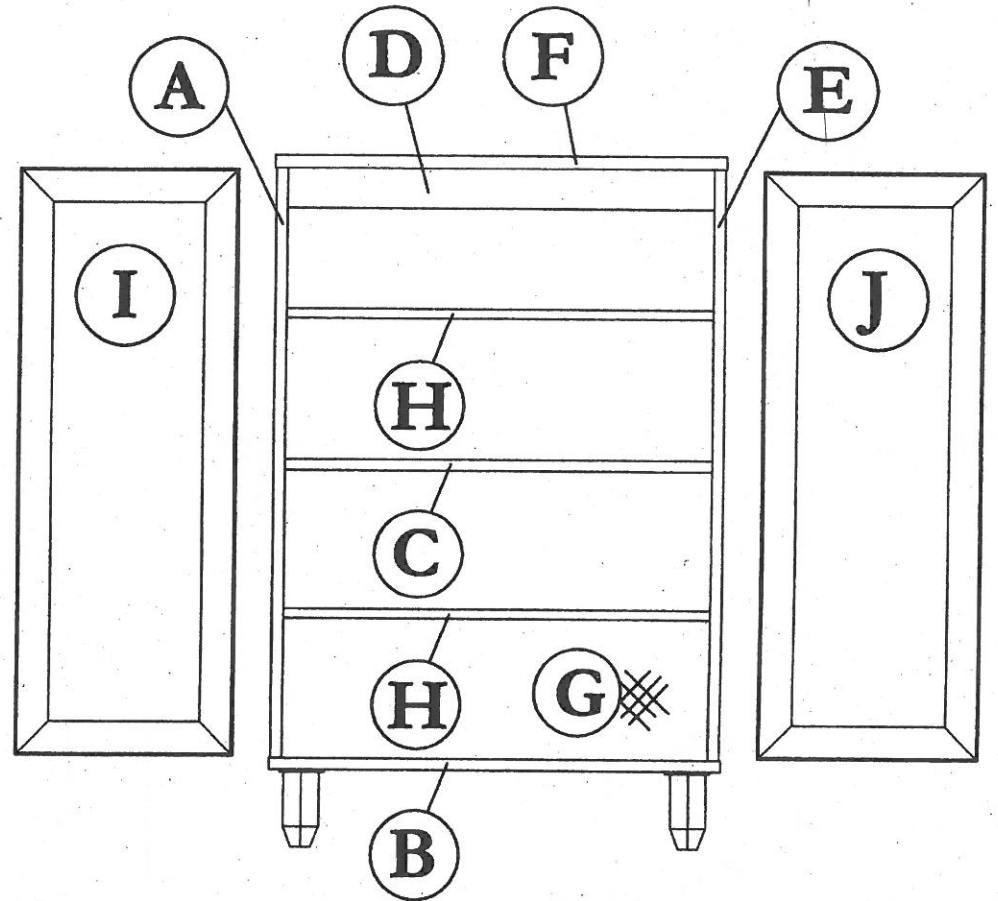
To clean use soft, dry cloth. Do not use detergent or chemicals
Avoid contact with water and direct sunlight.
To be assembled on a soft, dry, clean and smooth surface.



COMPLETE SET

ORDERING REPAIR PARTS

In order to obtain smooth and rapid service when ordering repair parts,
please give full attention to the following of PART NUMBER.



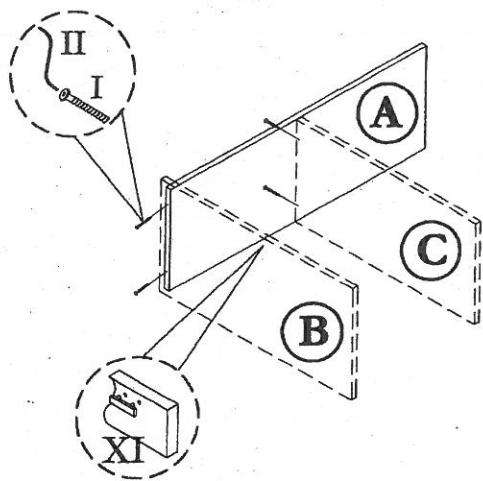
NO	DESCRIPTION	QTY
A	LEFT SIDE	01
B	LOWER SHELF	01
C	CENTRE SHELF	01
D	TOP SUPPORT	01
E	RIGHT SIDE	01

NO	DESCRIPTION	QTY
F	TOP	02
G	BACK	02
H	MOVABLE SHELF	02
I	LEFT SIDE DOOR	01
J	RIGHT SIDE DOOR	01

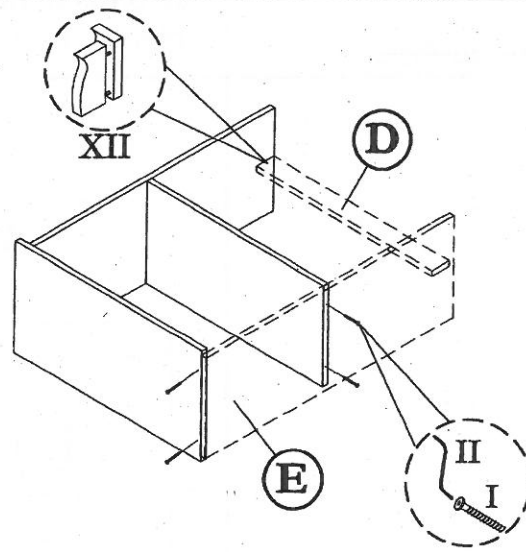
ASSEMBLY INSTRUCTION
MODEL : 7026 / SHOE RACK

Before you begin, please follow assembly instruction carefully.
 Then follow them step by step.

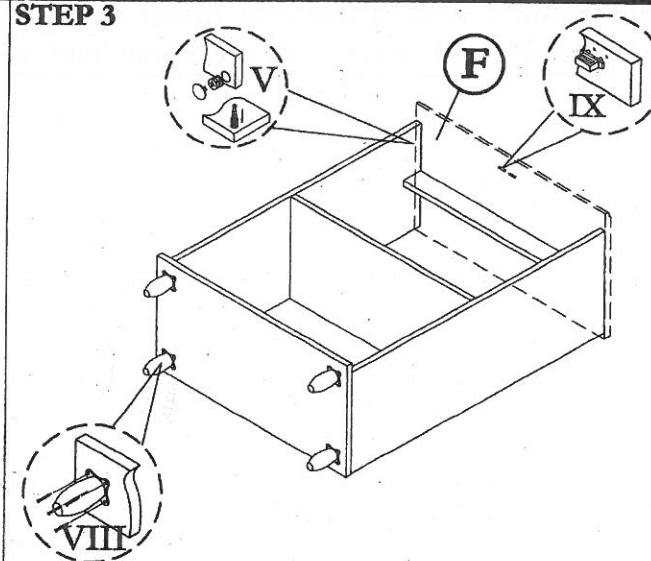
STEP 1



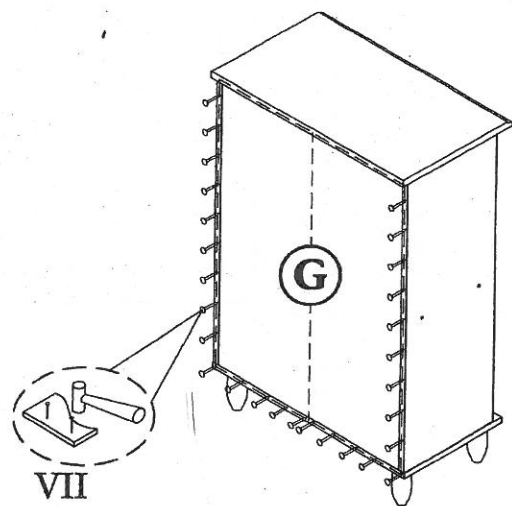
STEP 2



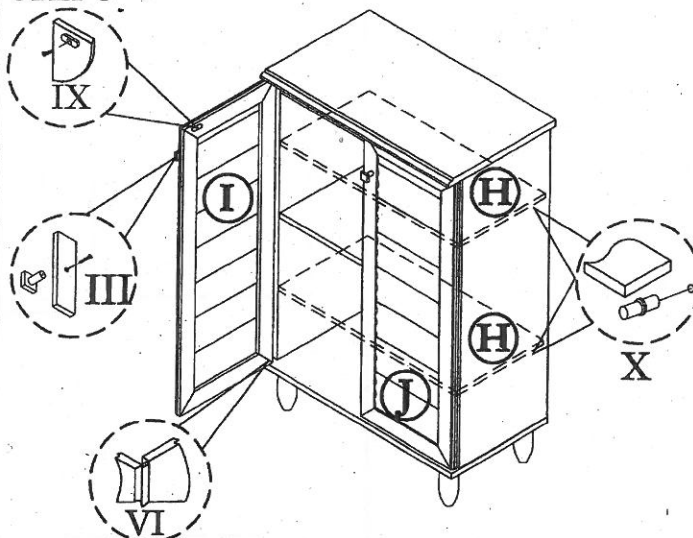
STEP 3



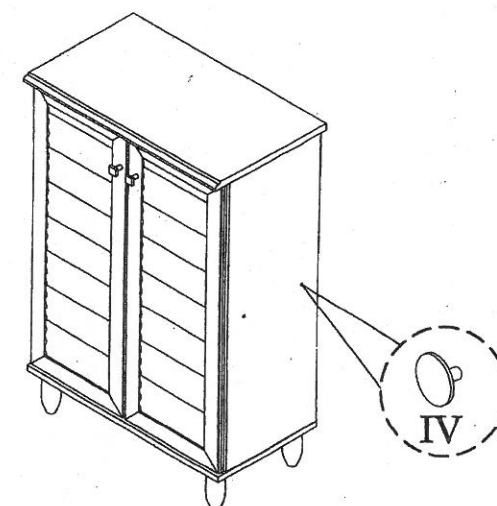
STEP 4



STEP 5



STEP 6



HARDWARE LIST			
NO	DESCRIPTION		QTY
I	JCBCW SCREW M6 x 45		8pcs
II	M4 ALLEN KEY		1pc
III	HANDLE & SCREW M3.5 x 30		2sets
IV	CAP SMALL		4pcs

V	Q-FIT		4sets
VI	SPRING DOOR SUPPORT		4pcs
VII	NAIL		40pcs
VIII	PVC LEG & SCREW M3.5 x 16		4sets
IX	MAGNET WITH PLATE & SCREW		2sets
X	SHELF SUPPORT		8pcs

XI	HIPS STOPPER & SCREW M3.5 x 16		1set
XII	M8 x 30 PLASTIC DOWEL		4pcs