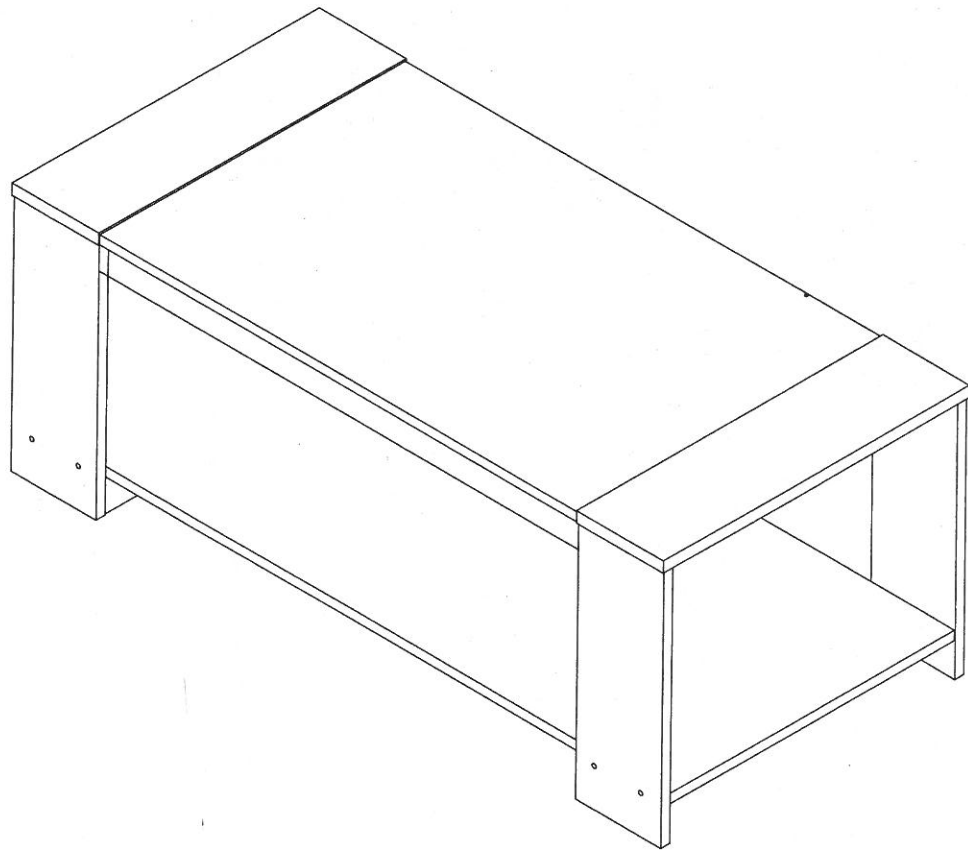


**CAUTION:**

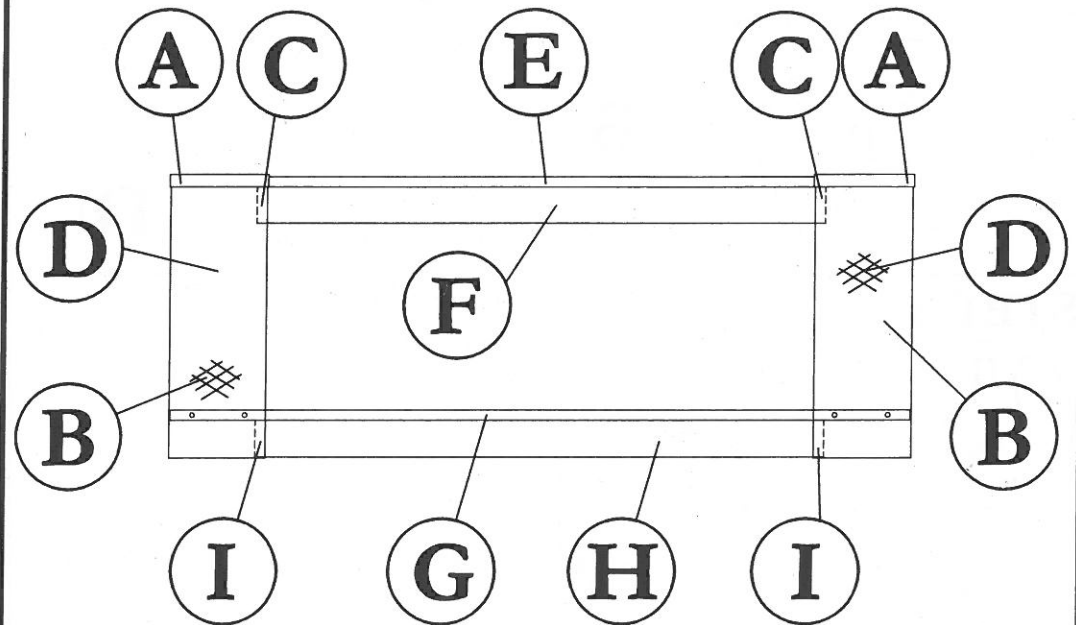
To clean use soft, dry cloth. Do not use detergent or chemicals  
Avoid contact with water and direct sunlight.  
To be assembled on a soft, dry, clean and smooth surface.



**COMPLETE SET**

**ORDERING REPAIR PARTS**

In order to obtain smooth and rapid service when ordering repair parts,  
please give full attention to the following of PART NUMBER.



NO	DESCRIPTION	QTY
A	TOP (Left/Right)	02
B	LEFT/RIGHT SIDE	02
C	LEFT/RIGHT SIDE SUPPORT (Top)	02
D	LEFT/RIGHT SIDE	02
E	TOP (Centre)	01

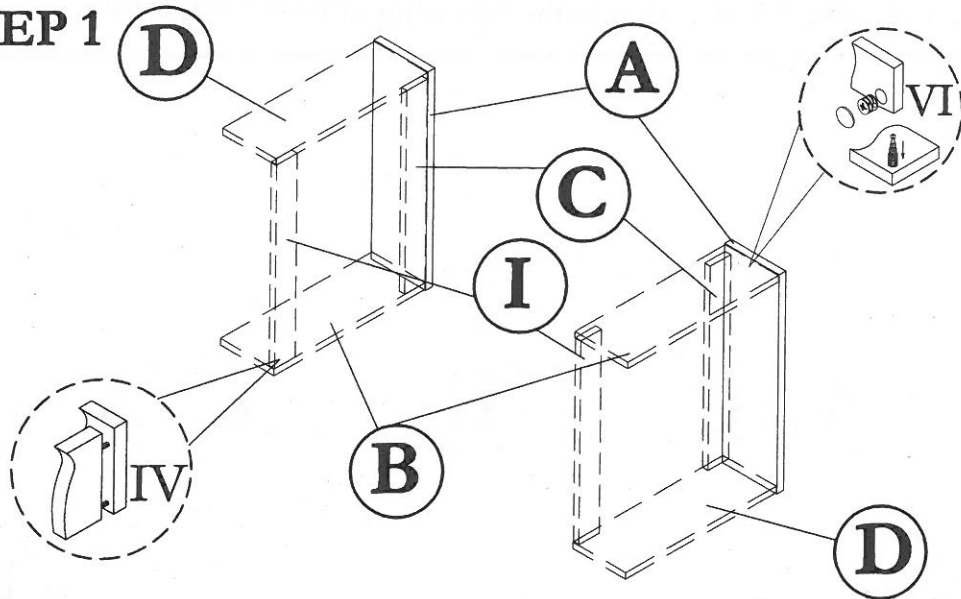
NO	DESCRIPTION	QTY
F	TOP SUPPORT	02
G	SHELF	01
H	LEG	01
I	LEFT/RIGHT SIDE SUPPORT (Bottom)	02

# ASSEMBLY INSTRUCTION

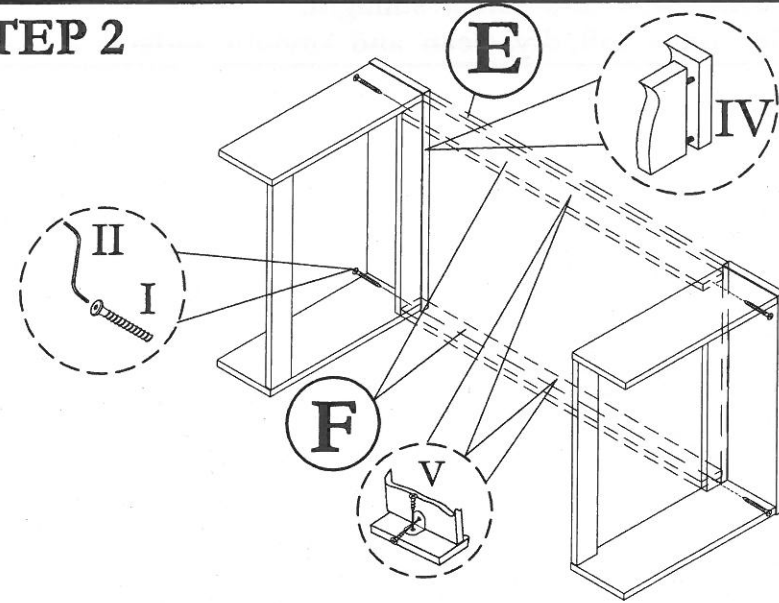
## MODEL : 2151 / COFFEE TABLE

Before you begin, please follow assembly instruction carefully.  
Then follow them step by step.

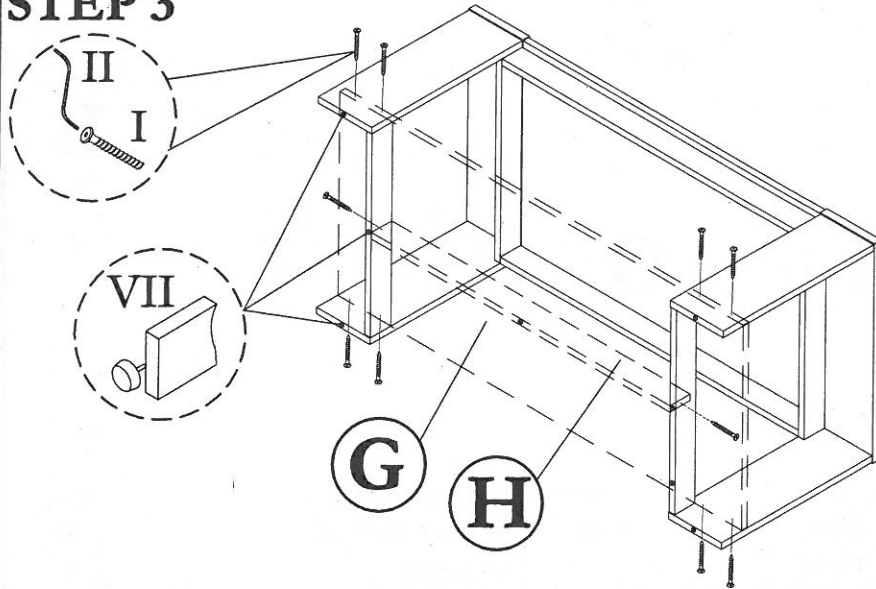
### STEP 1



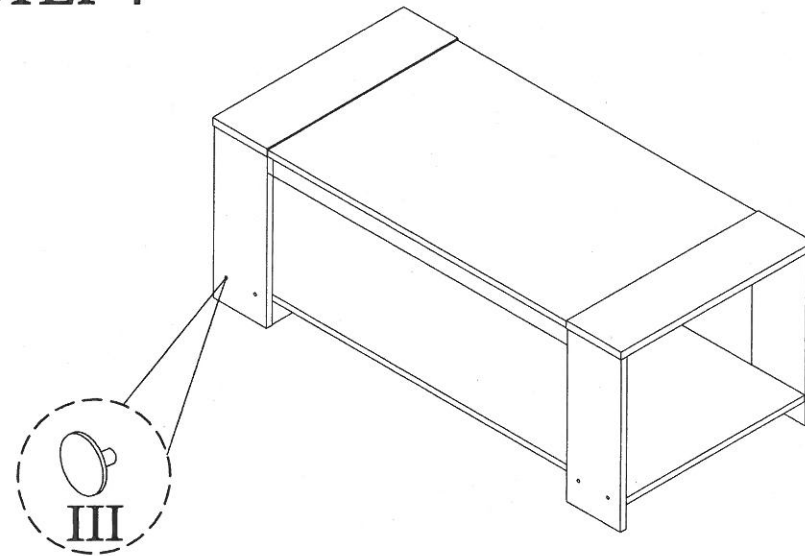
### STEP 2



### STEP 3








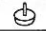
### STEP 4



#### HARDWARE LIST

NO	DESCRIPTION	QTY
I	JCBCW SCREW M6 x 45	14pcs

II	M4 ALLEN KEY		1pc
III	CAP SMALL		8pcs
IV	M8 X 30 PLASTIC DOWEL		30pcs

V	L BRACKET & SCREW M3.5 x 12		4sets
VI	Q-FIT		4sets
VII	PVC NAIL WITH PIN		7pcs