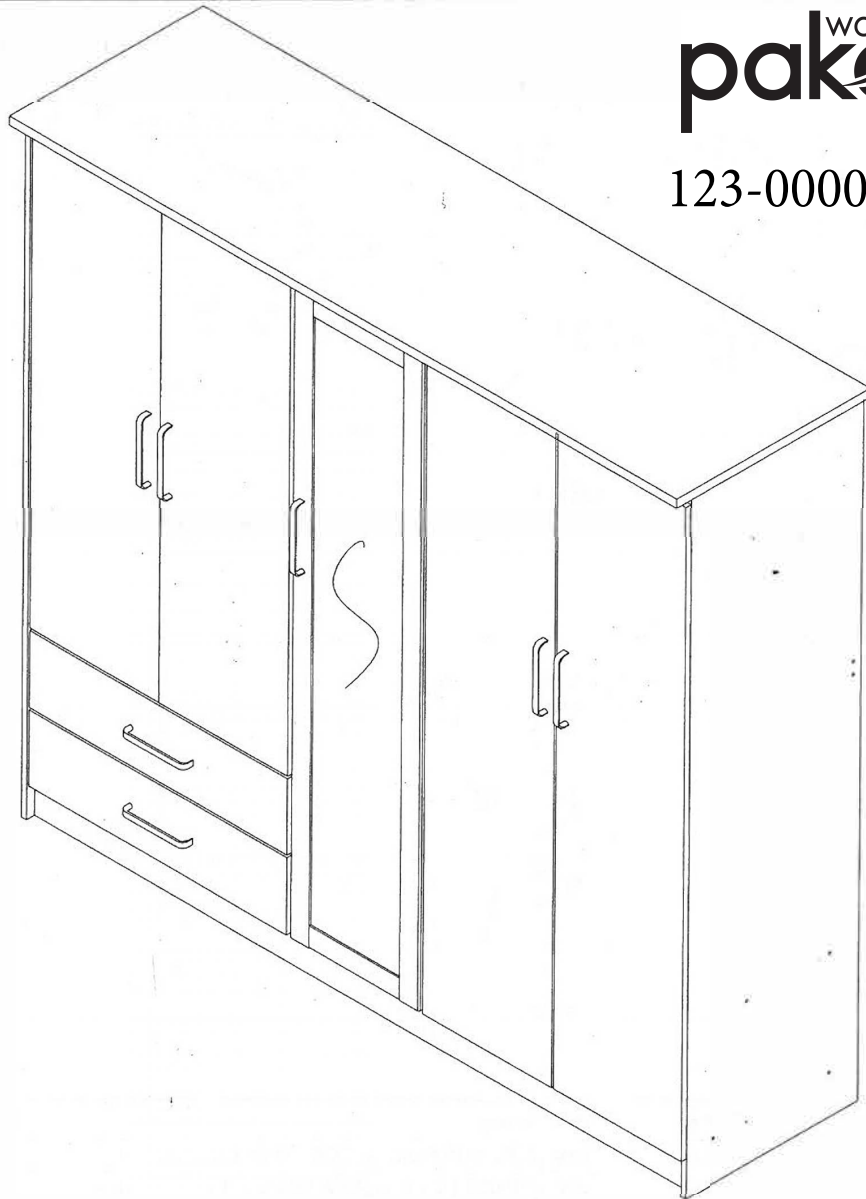


CAUTION:

To clean use soft, dry cloth. Do not use detergent or chemicals
 Avoid contact with water and direct sunlight.
 To be assembled on a soft, dry, clean and smooth surface.

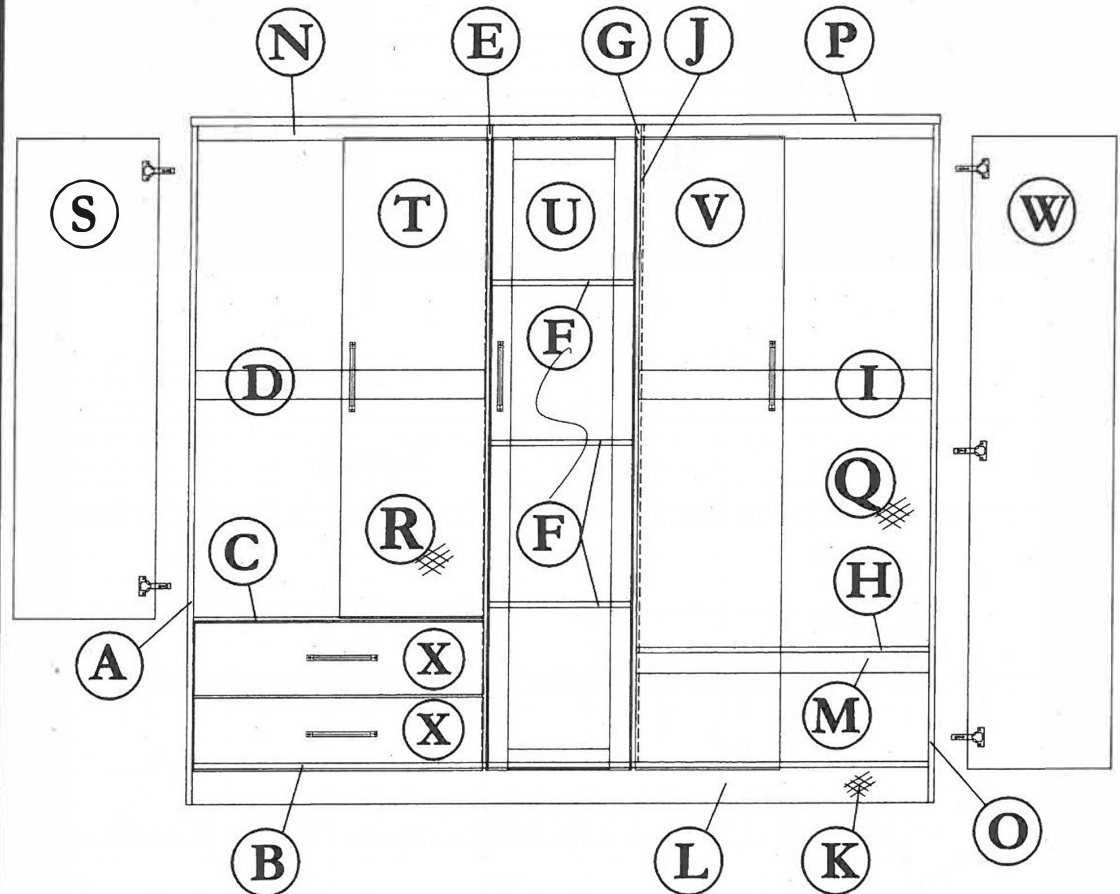
ORDERING REPAIR PARTS

In order to obtain smooth and rapid service when ordering repair parts,
 please give full attention to the following of PART NUMBER.



world
pako

123-000047



COMPLETE SET

NO	DESCRIPTION	QTY
A	LEFT SIDE	01
B	LOWER SHELF	01
C	CENTRE SHELF (Left)	01
D	BACK SUPPORT (Left)	01
E	CENTRE VERTICAL	01
F	CENTRE SHELF (Centre)	03
G	CENTRE VERTICAL	01
H	CENTRE SHELF (Right)	01
I	BACK SUPPORT (Right)	01

NO	DESCRIPTION	QTY
J	CENTRE VERTICAL SUPPORT	01
K	LEG (Back)	01
L	LEG (Front)	01
M	CENTRE SHELF SUPPORT	01
N	TOP SUPPORT	01
O	RIGHT SIDE	01
P	TOP	01
Q	BACK (Right)	02
R	BACK (Left/Centre)	03

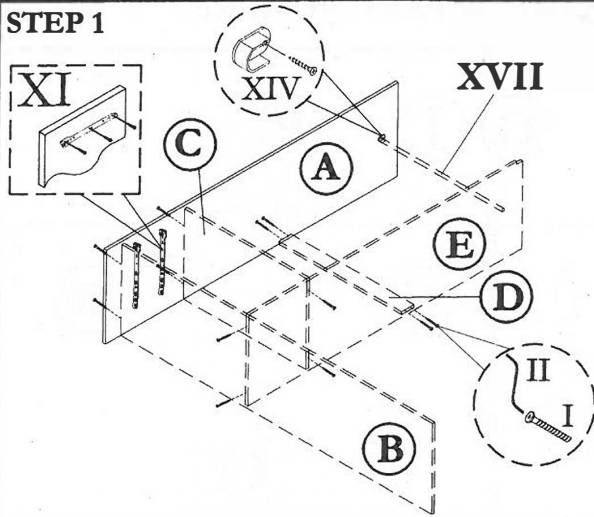
NO	DESCRIPTION	QTY
S	LEFT SIDE DOOR	01
T	CENTRE DOOR	01
U	CENTRE DOOR	01
V	CENTRE DOOR	01
W	RIGHT SIDE DOOR	01
X	DRAWER FACE	02

ASSEMBLY INSTRUCTION

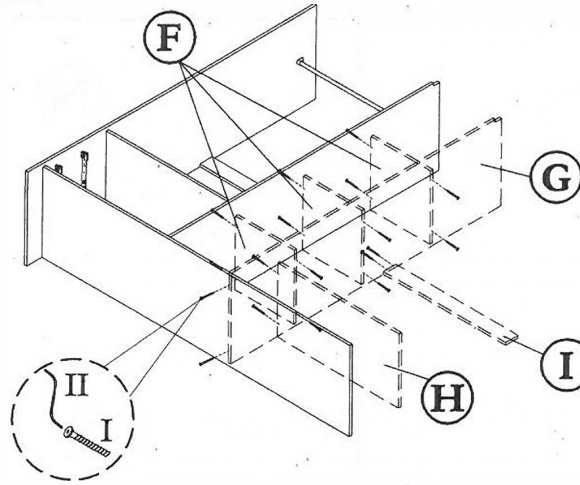
MODEL : 9267 DM / WARDROBE

Before you begin, please follow assembly instruction carefully.
Then follow them step by step.

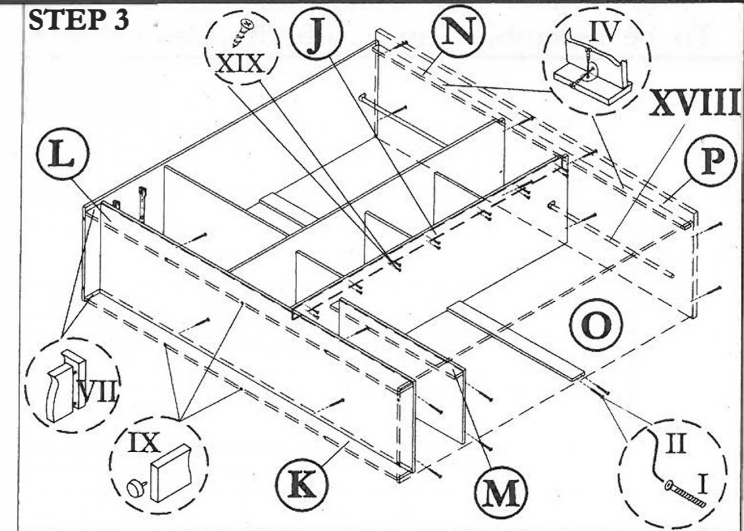
STEP 1



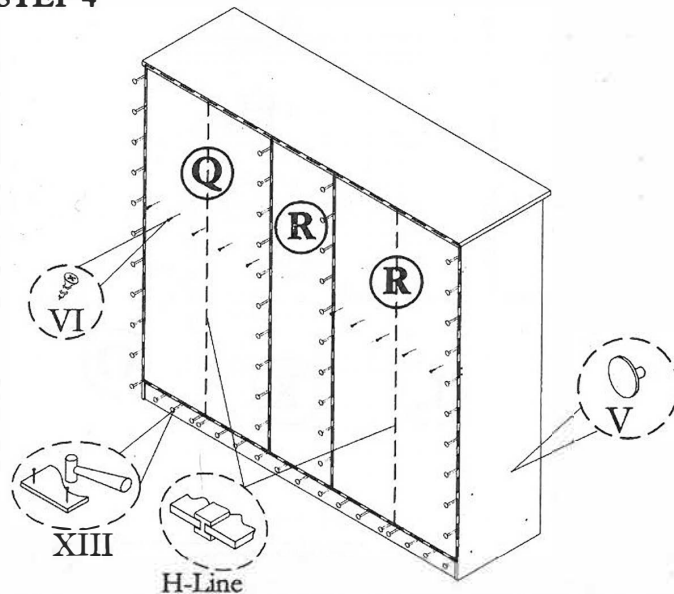
STEP 2



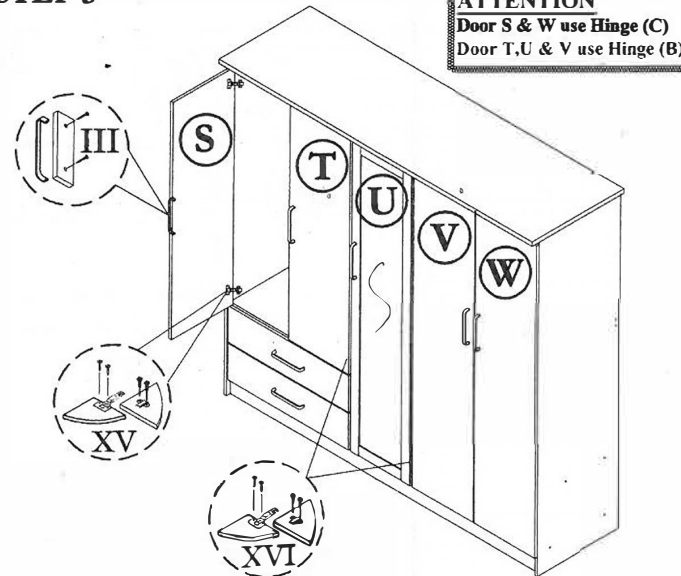
STEP 3



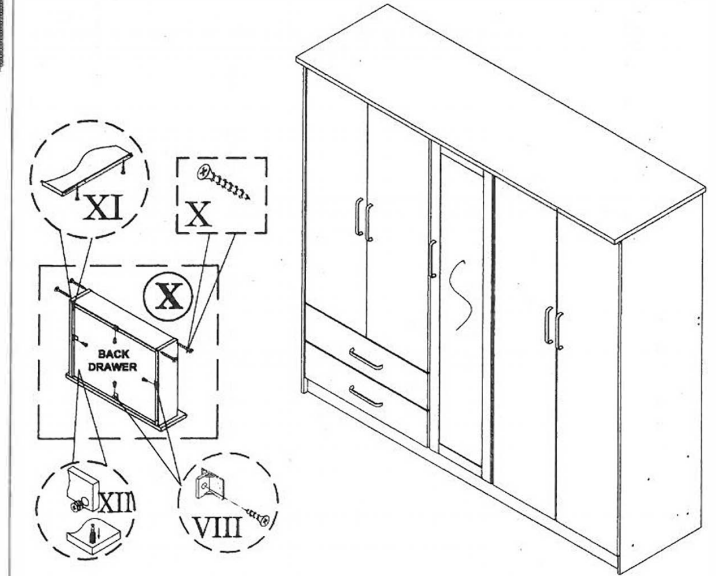
STEP 4



STEP 5



STEP 6



HARDWARE LIST

NO	DESCRIPTION	QTY
I	JCBCW SCREW M6 x 45	48pcs
II	M4 ALLEN KEY	1pc
III	HANDLE & SCREW M3.5 x 30	7sets
IV	L BRACKET & SCREW M3.5 x 12	2sets
V	CAP SMALL	12pcs

VI	M3.5 x 12 CHIPBOARD SCREW	10pcs
VII	PLASTIC DOWEL	14pcs
VIII	DRAWER SUPPORT & SCREW M3.5 x 12	8sets
IX	PVC NAIL WITH PIN	10pcs
X	M8 x 32 CHIPBOARD SCREW	8pcs
XI	14" DRAWER SLIDER & SCREW M3.5 x 12	2sets
XII	Q-FIT	8sets

XIII	NAIL	100pcs
XIV	PIPE SUPPORT & SCREW M3.5 x 16	4sets
XV	HINGE (C) & SCREW M3.5 x 16	5sets
XVI	HINGE (B) & SCREW M3.5 x 16	8sets
XVII	PIPE SIZE : 29 6.5/8"	1pc
XVIII	PIPE SIZE : 30 0.5/8"	1pc
XIX	M3.5 x 16 CHIPBOARD SCREW	14pcs