

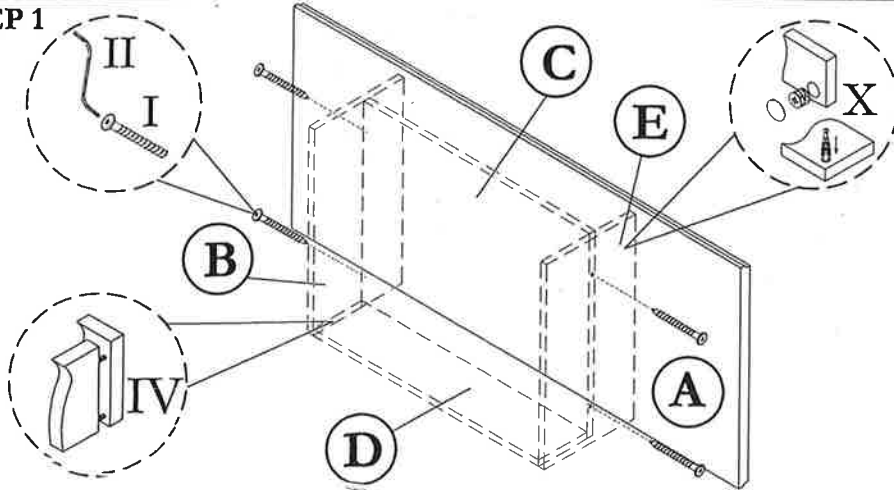
ASSEMBLY INSTRUCTION

MODEL: / COFFEE TABLE

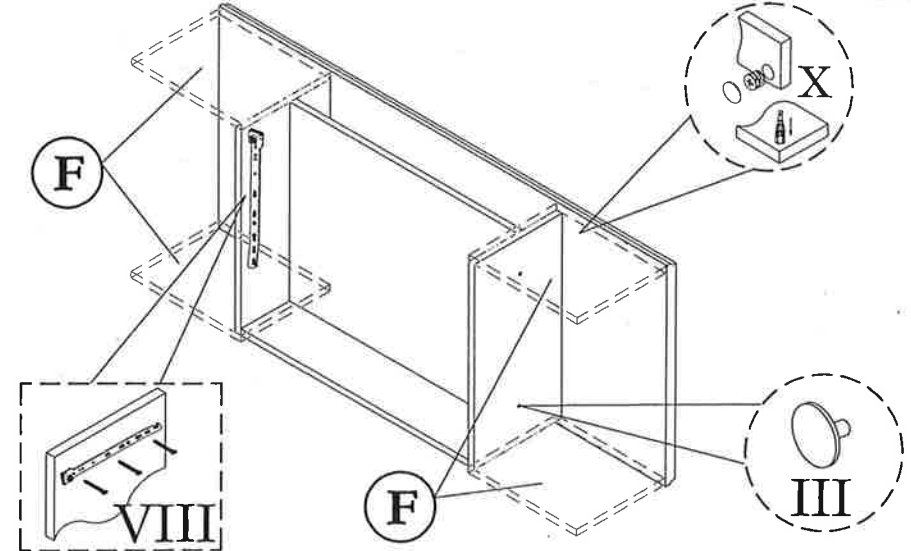
123-000090

Before you begin, please follow assembly instruction carefully. Then follow them step by step.

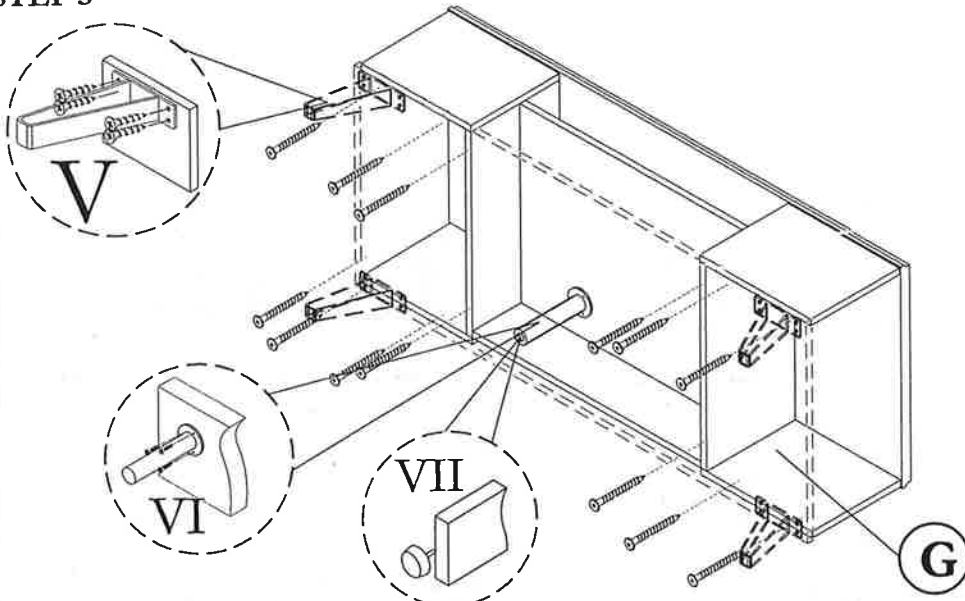
STEP 1



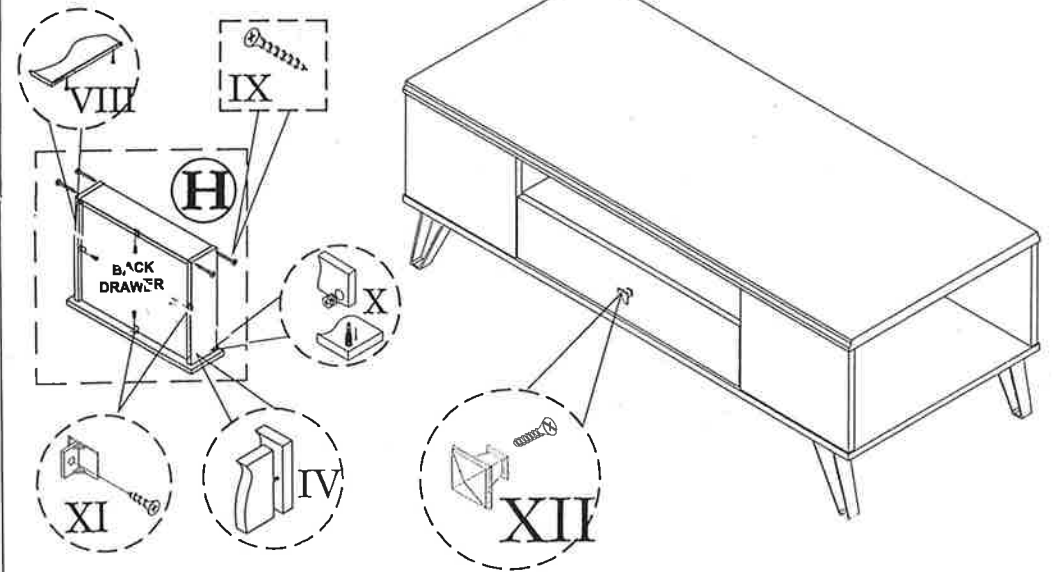
STEP 2



STEP 3



STEP 4



HARDWARE LIST

NO	DESCRIPTION	QTY
I	JCBCW SCREW M6 x 45	16pcs
II	M4 ALLEN KEY	1pc
III	CAP SMALL	4pcs

IV	M8 x 30 PLASTIC DOWEL	6pcs
V	150mm METAL LEG & SCREW M4 x 18	4sets
VI	PVC LEG & SCREW M3.5 x 16	1sets
VII	PVC NAIL WITH PIN	1pc
VIII	12" DRAWER SLIDER & SCREW M3.5 x 12	1sets

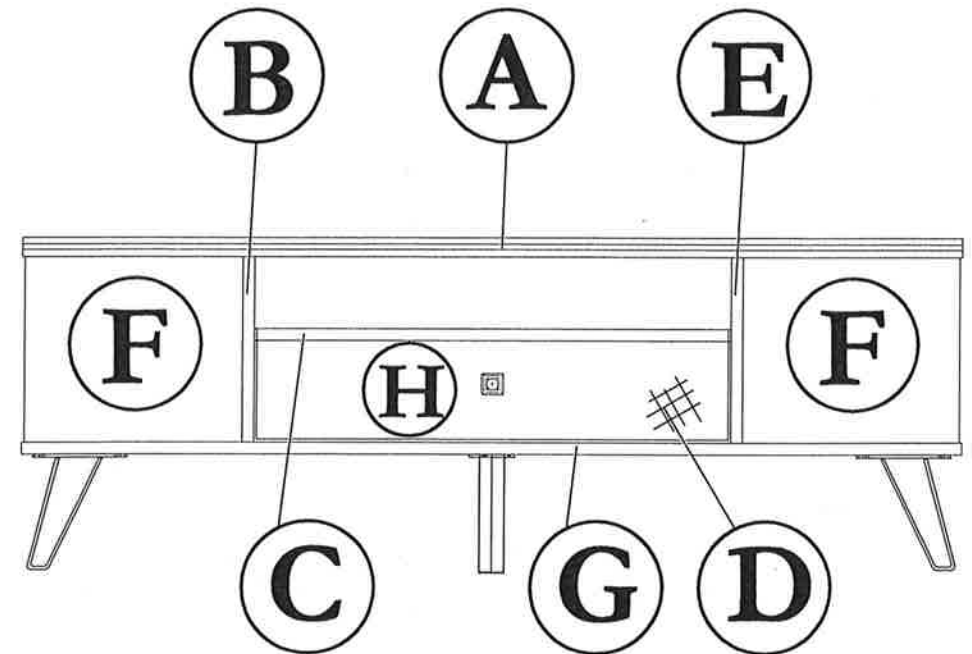
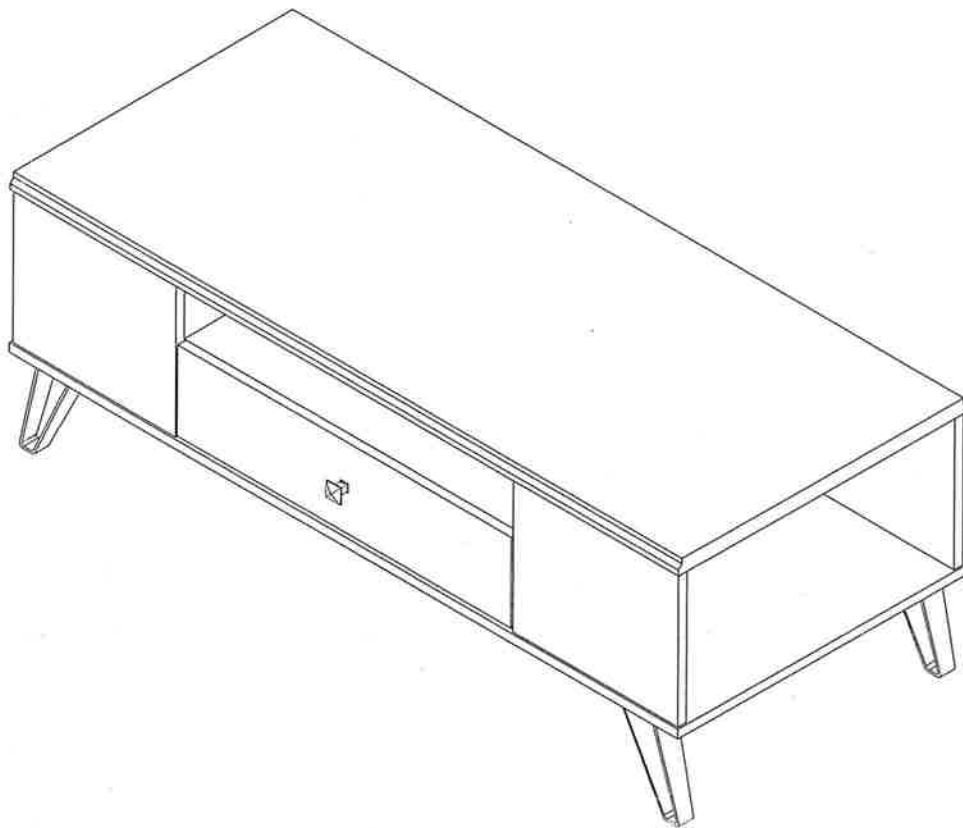
IX	M8 x 32 CHIPBOARD SCREW	4pcs
X	Q-FIT	14sets
XI	DRAWER SUPPORT & SCREW M3.5 x 12	4sets
XII	HANDLE & SCREW M4 x 22	1sets

CAUTION:

To clean use soft, dry cloth. Do not use detergent or chemicals
Avoid contact with water and direct sunlight.
To be assembled on a soft, dry, clean and smooth surface.

ORDERING REPAIR PARTS

In order to obtain smooth and rapid service when ordering repair parts,
please give full attention to the following of PART NUMBER.



COMPLETE SET

NO	DESCRIPTION	QTY
A	TOP	01
B	CENTRE VERTICAL	01
C	SHELF	01
D	BACK	01

NO	DESCRIPTION	QTY
E	CENTRE VERTICAL	01
F	LEFT/RIGHT SIDE	04
G	LOWER SHELF	01
H	DRAWER FACE	01