

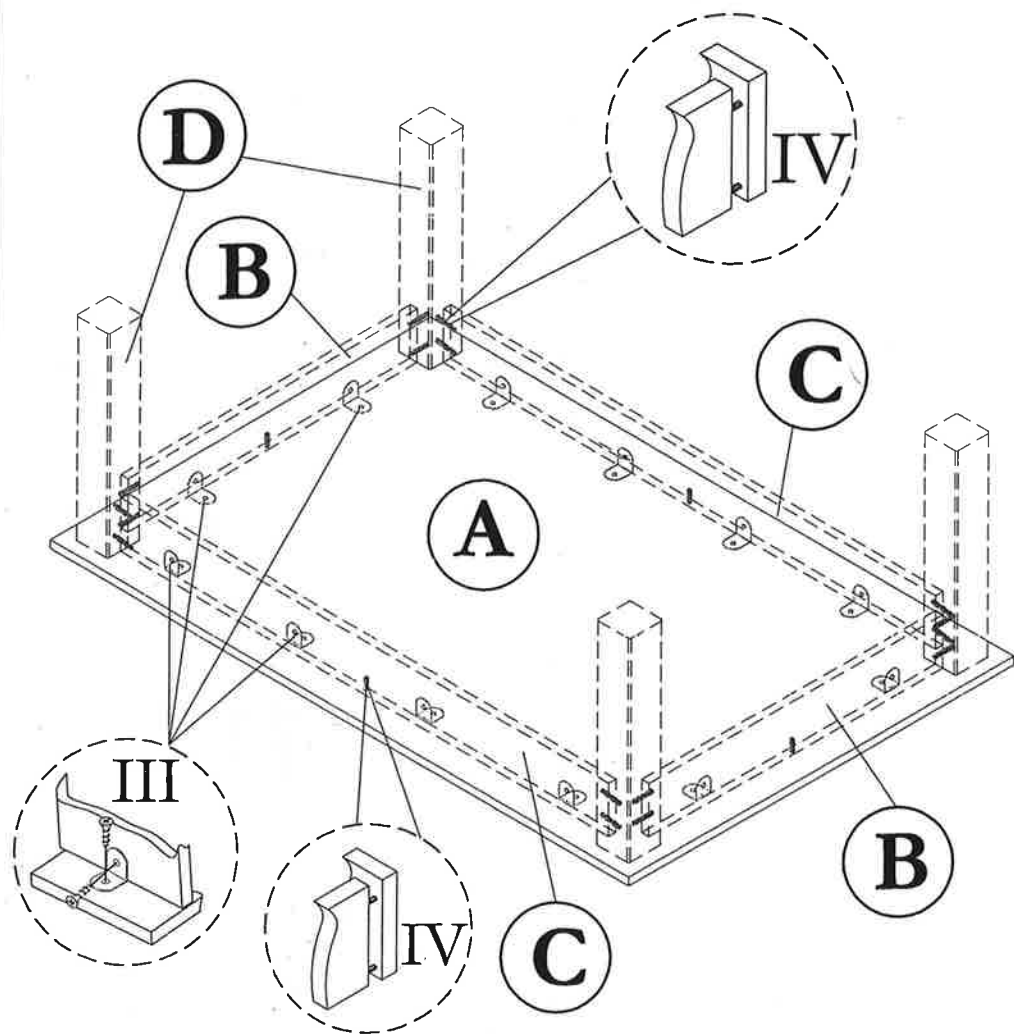
ASSEMBLY INSTRUCTION

MODEL : / **COFFEE TABLE**

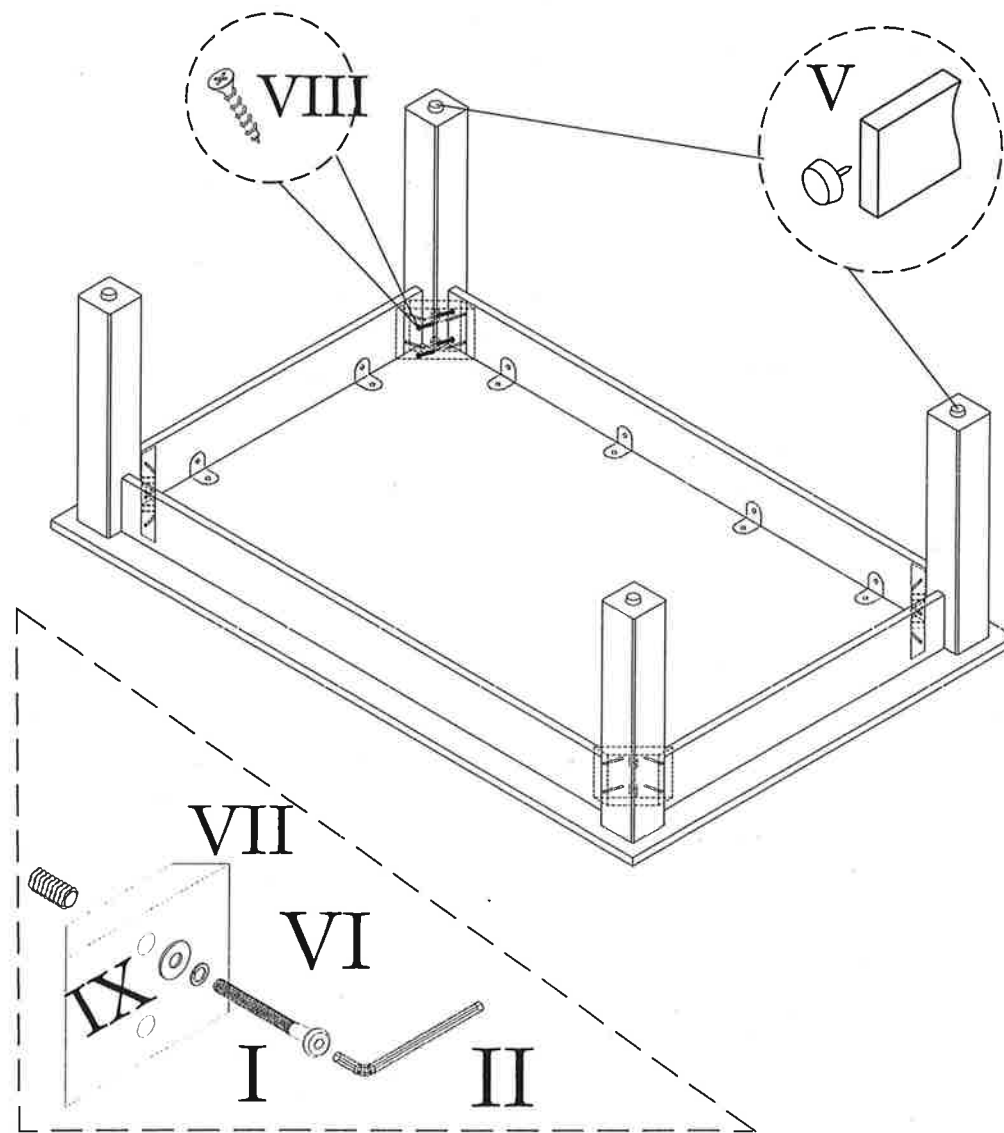
123-000092

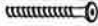

Before you begin, please follow assembly instruction carefully. Then follow them step by step.





STEP 1






STEP 2



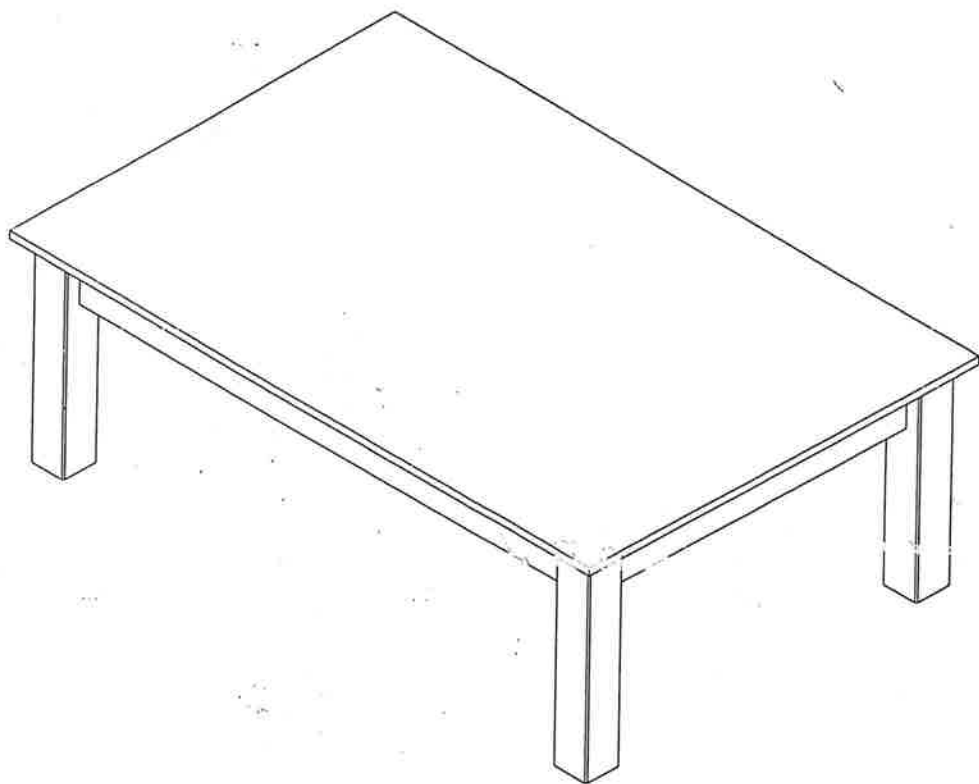
HARDWARE LIST			
NO	DESCRIPTION		QTY
I	JCBB SCREW M8 x 50		8pcs
II	M5 ALLEN KEY		1pc

III	L BRACKET & SCREW M3.5 x 12		12sets
IV	WOOD DOWEL M8 x 30		20pcs
V	PVC NAIL WITH PIN		4pcs
VI	M8 SPRING WASHER		8pcs

VII	M8 FLAT WASHER		8pcs
VIII	M3.5 x 30 CHIPBOARD SCREW		16pcs
IX	CORNER BLOCK 20 x 90 x 115mm		4pcs

CAUTION:

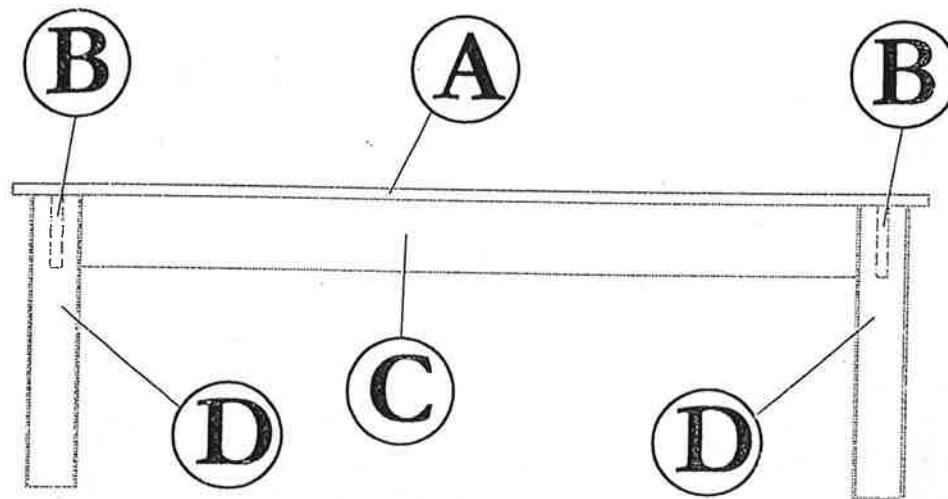
To clean use soft, dry cloth. Do not use detergent or chemicals
Avoid contact with water and direct sunlight.
To be assembled on a soft, dry, clean and smooth surface.



COMPLETE SET

ORDERING REPAIR PARTS

In order to obtain smooth and rapid service when ordering repair parts, please give full attention to the following of PART NUMBER.



NO	DESCRIPTION	QTY
A	TABLE TOP	01
B	HORIZONTAL SHELF	02
C	HORIZONTAL SHELF	02
D	LEG	04