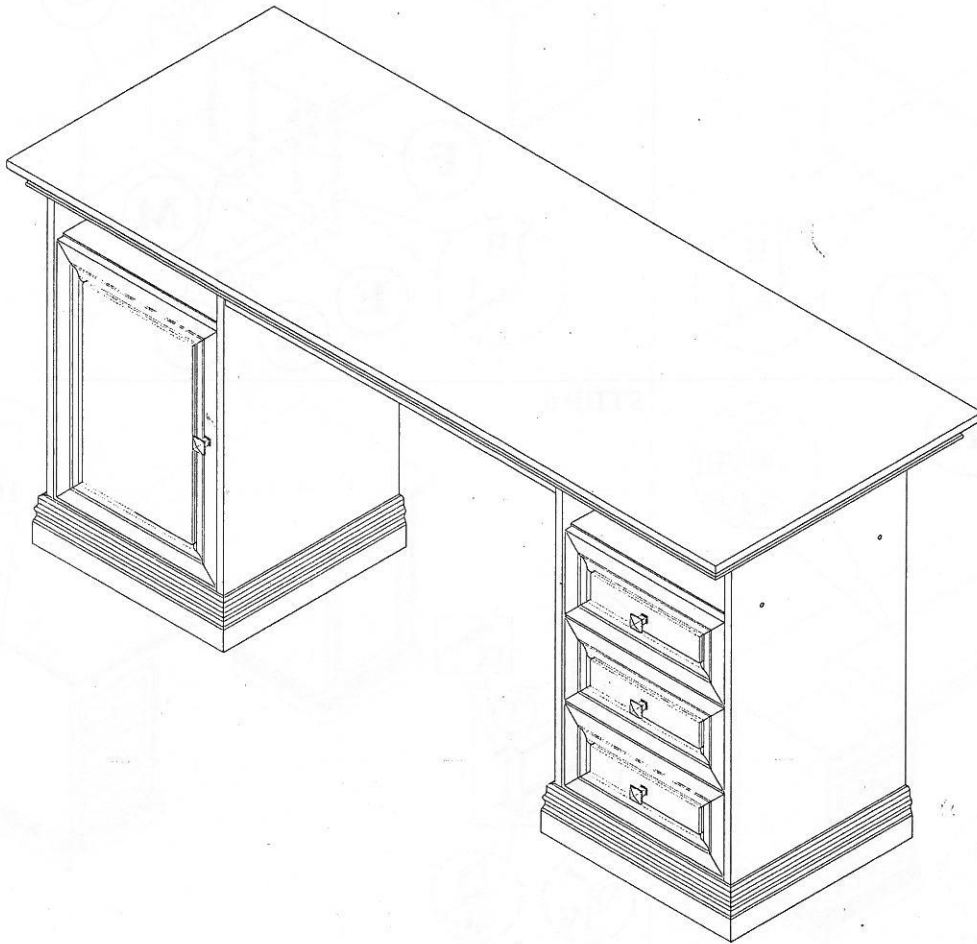


**CAUTION:**

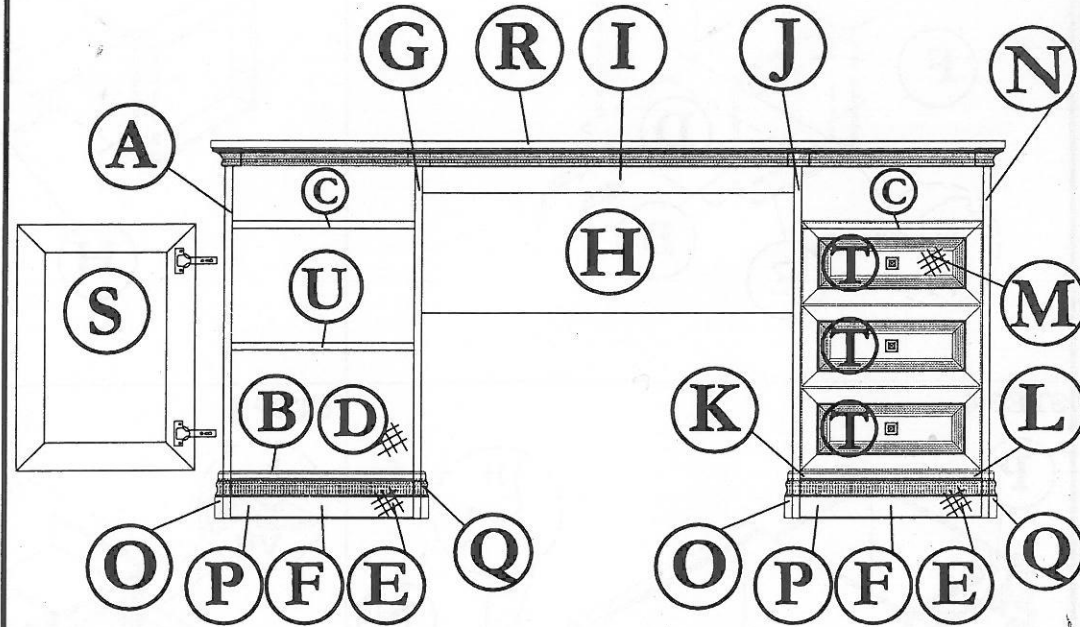
To clean use soft, dry cloth. Do not use detergent or chemicals  
Avoid contact with water and direct sunlight.  
To be assembled on a soft, dry, clean and smooth surface.



# COMPLETE SET

**ORDERING REPAIR PARTS**

In order to obtain smooth and rapid service when ordering repair parts, please give full attention to the following of PART NUMBER.



NO	DESCRIPTION	QTY
A	LEFT SIDE	01
B	LOWER SHELF	01
C	CENTRE SHELF	02
D	BACK (Left)	01
E	LEG (Back)	02
F	LEG (Front)	02
G	CENTRE VERTICAL	01
H	BACK SUPPORT	01
I	TOP SUPPORT	01
J	CENTRE VERTICAL	01

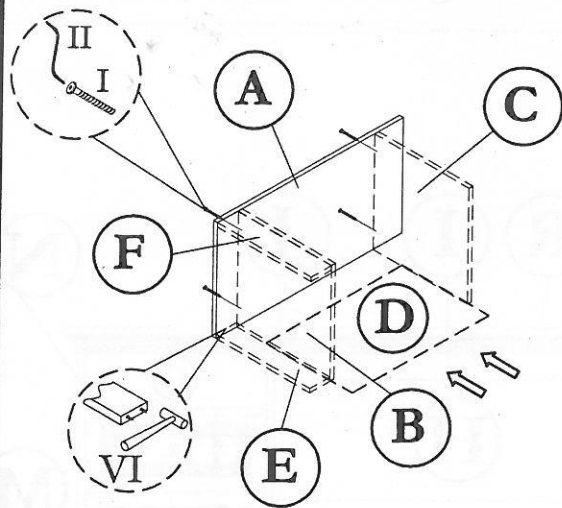
NO	DESCRIPTION	QTY
K	LOWER SHELF (Back)	01
L	LOWER SHELF (Front)	01
M	BACK (Right)	01
N	RIGHT SIDE	01
O	LEFT SIDE WRAPPING	02
P	FRONT WRAPPING	02
Q	RIGHT SIDE WRAPPING	02
R	TOP	01
S	DOOR	01
T	DRAWER FACE	03
U	MOVABLE SHELF	01

# ASSEMBLY INSTRUCTION

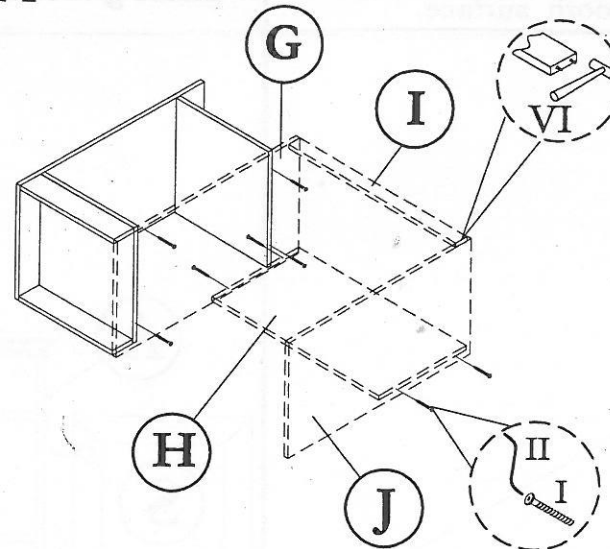
## MODEL : 6097 / OFFICE TABLE

Before you begin, please follow assembly instruction carefully.  
Then follow them step by step.

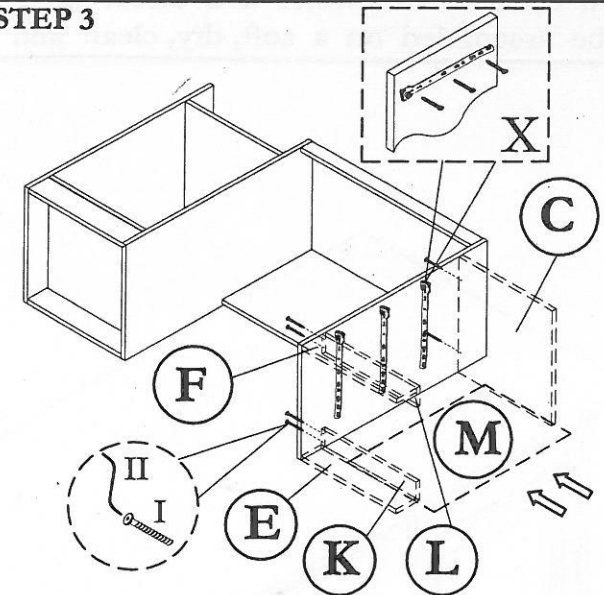
STEP 1



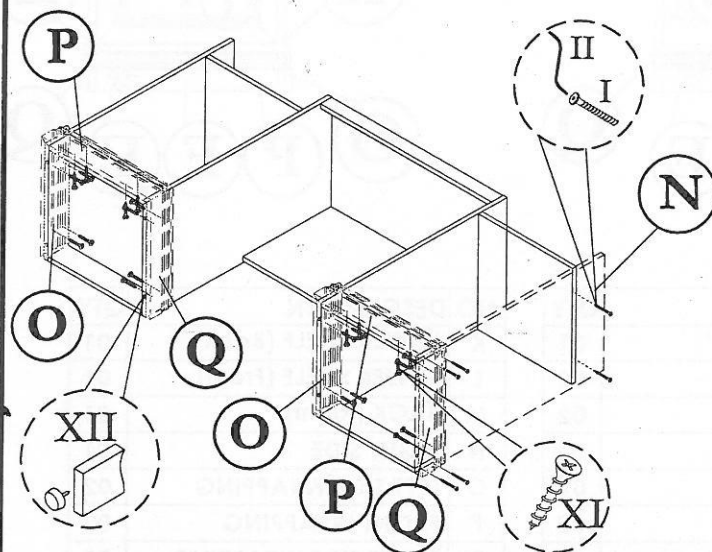
STEP 2



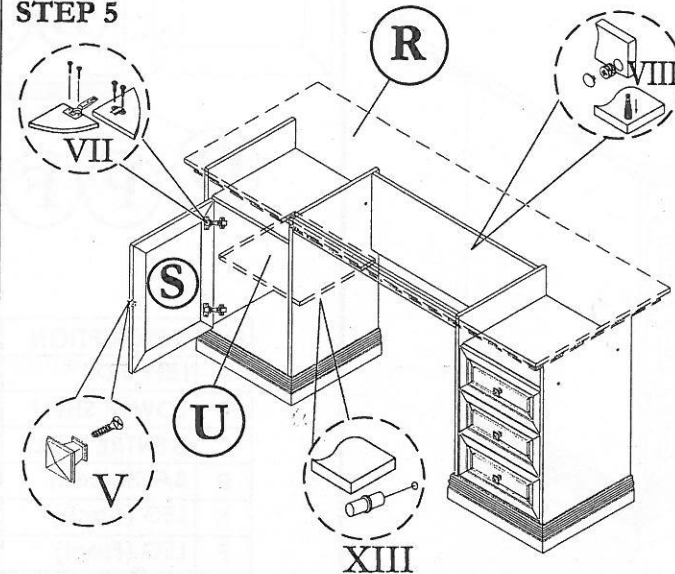
STEP 3



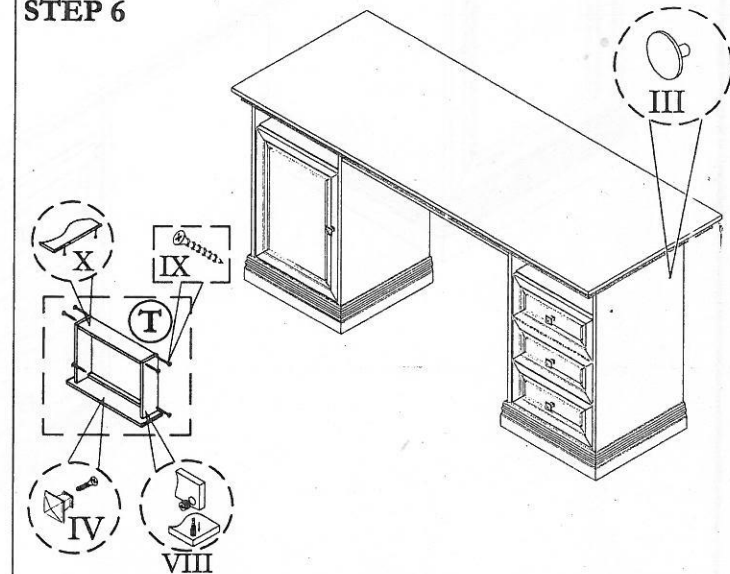
STEP 4



STEP 5



STEP 6



### HARDWARE LIST

NO	DESCRIPTION	QTY
I	JCBCW SCREW M6 x 45	24pcs
II	M4 ALLEN KEY	1pc
III	CAP SMALL	10pcs

IV	HANDLE & SCREW M4 x 12	3sets
V	HANDLE & SCREW M4 x 22	1sets
VI	M8 x 30 PLASTIC DOWEL	20pcs
VII	HINGE (C) & SCREW M3.5 x 16	2sets
VIII	Q-FIT	20sets

IX	M8 x 32 CHIPBOARD SCREW	18pcs
X	12" DRAWER SLIDER & SCREW M3.5 x 12	3sets
XI	M4 x 25 CHIPBOARD SCREW	24pcs
XII	PVC NAIL WITH PIN	8pcs
XIII	SHELF SUPPORT	4pcs