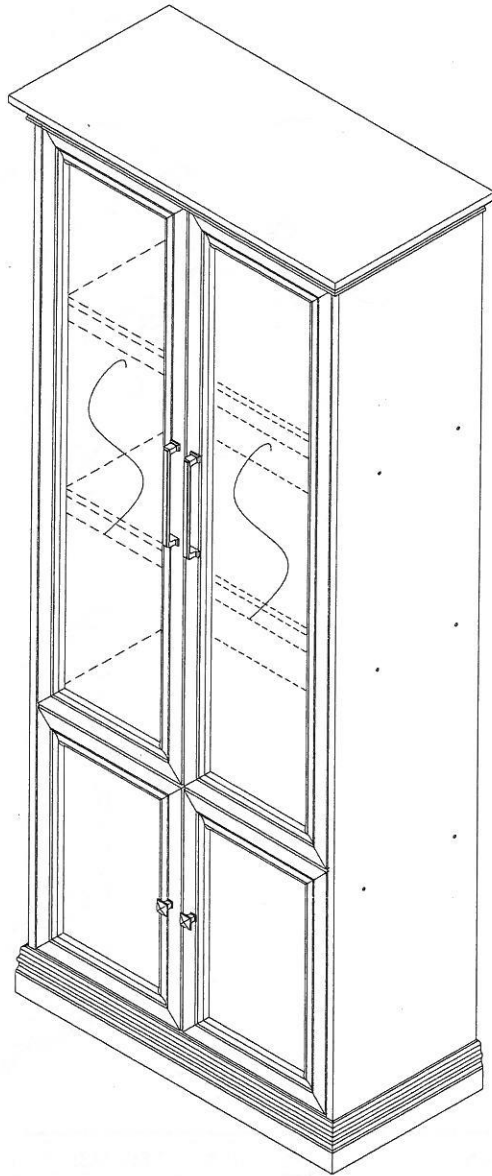


CAUTION:

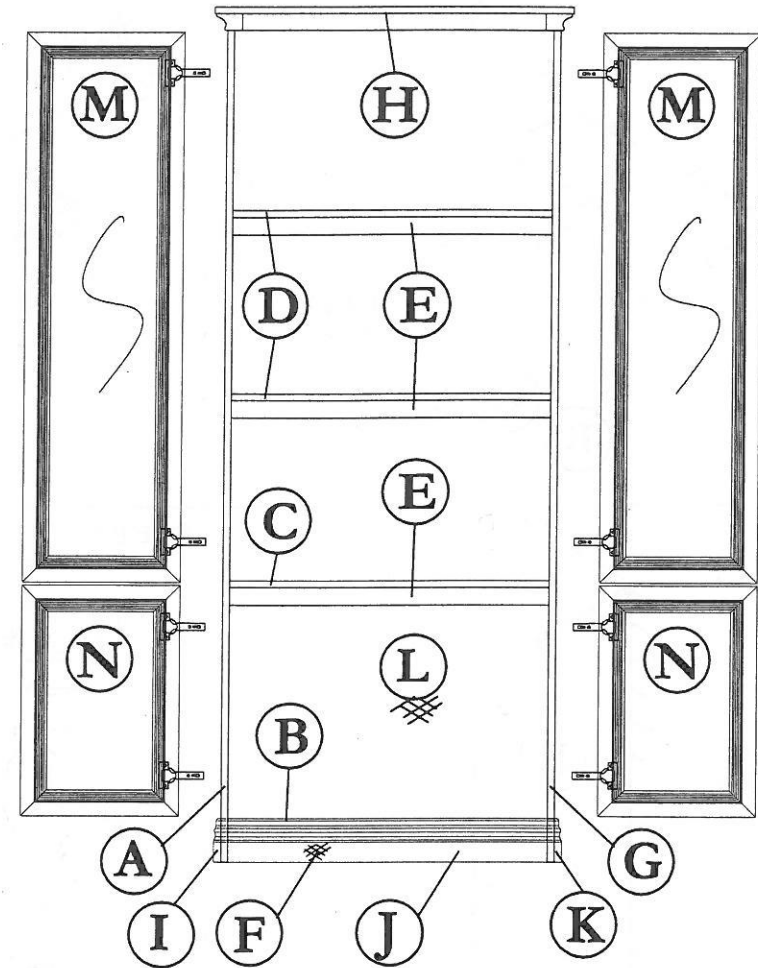
To clean use soft, dry cloth. Do not use detergent or chemicals
Avoid contact with water and direct sunlight.
To be assembled on a soft, dry, clean and smooth surface.



COMPLETE SET

ORDERING REPAIR PARTS

In order to obtain smooth and rapid service when ordering repair parts, please give full attention to the following of PART NUMBER.



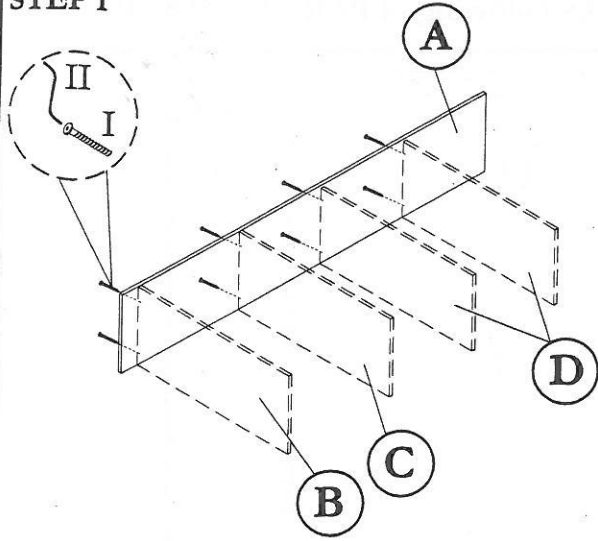
NO	DESCRIPTION	QTY
A	LEFT SIDE	01
B	LOWER SHELF	01
C	CENTRE SHELF	01
D	CENTRE SHELF	02
E	SHELF SUPPORT	03
F	LEG	01
G	RIGHT SIDE	01

NO	DESCRIPTION	QTY
H	TOP	01
I	LEFT SIDE WRAPPING	01
J	FRONT WRAPPING	01
K	RIGHT SIDE WRAPPING	01
L	BACK	02
M	LEFT/RIGHT SIDE DOOR (Top)	02
N	LEFT/RIGHT SIDE DOOR (Bottom)	02

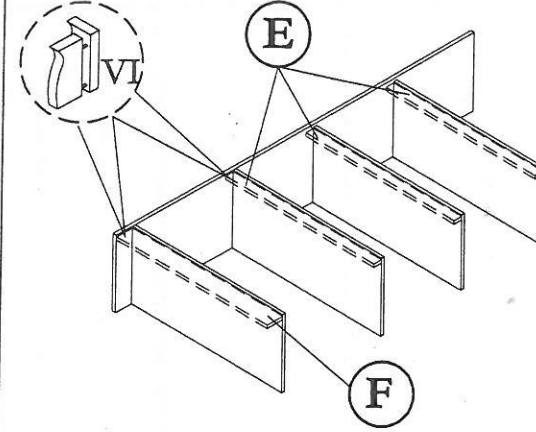
ASSEMBLY INSTRUCTION
MODEL : 1213 / BOOKCASE

Before you begin, please follow assembly instruction carefully.
 Then follow them step by step.

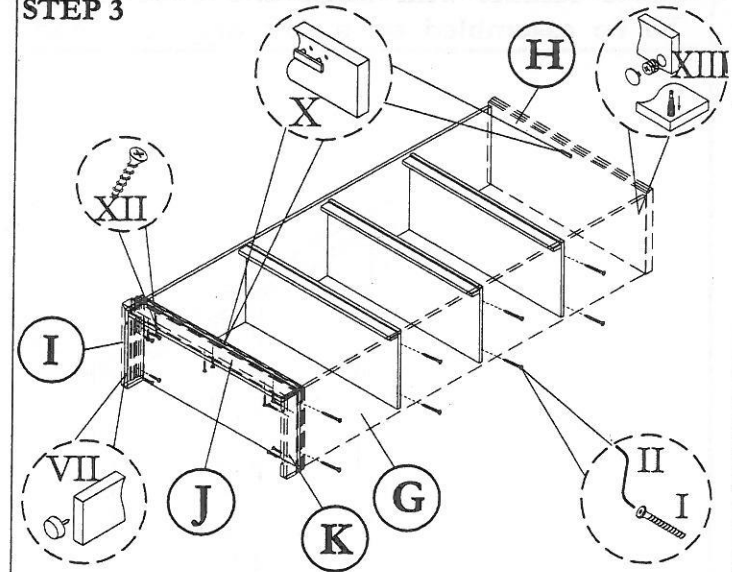
STEP 1



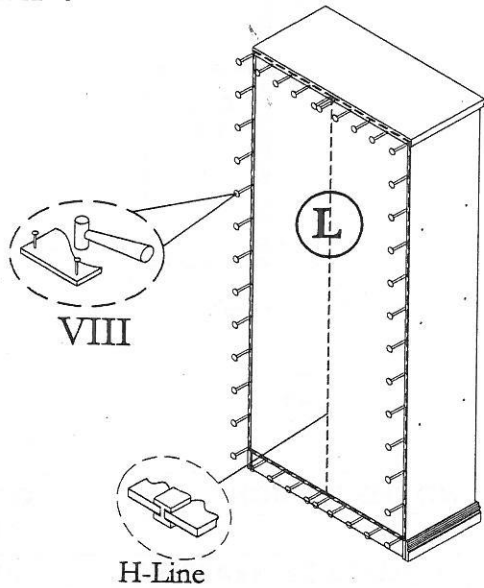
STEP 2



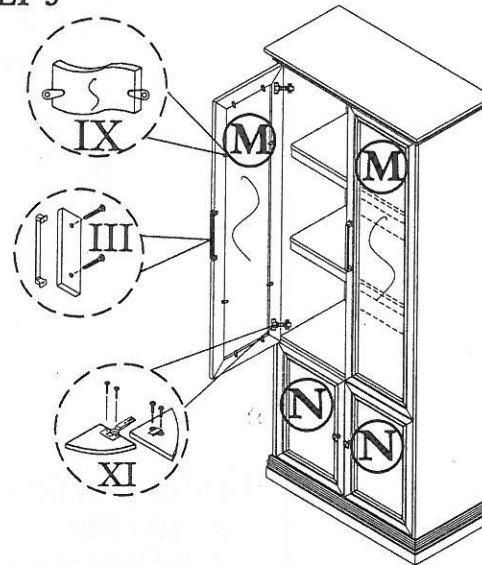
STEP 3



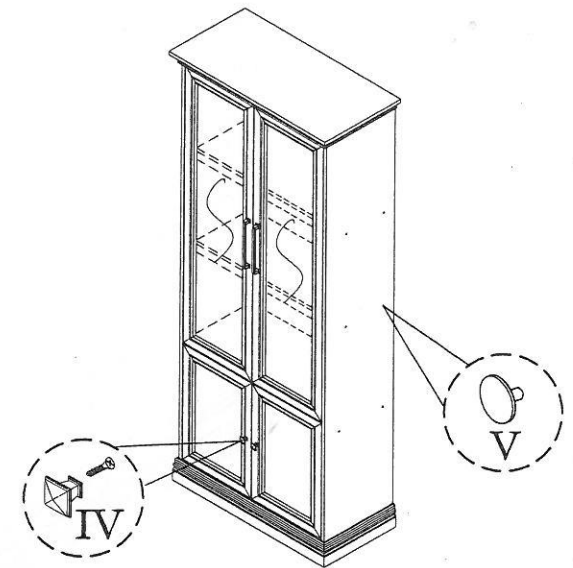
STEP 4



STEP 5



STEP 6



HARDWARE LIST			
NO	DESCRIPTION		QTY
I	JCBCW SCREW M6 x 45		16pcs
II	M4 ALLEN KEY		1pc
III	HANDLE & SCREW M4 x 22		2sets

IV	HANDLE & SCREW M4 x 22		2sets
V	CAP SMALL		12pcs
VI	M8 x 30 PLASTIC DOWEL		10pcs
VII	PVC NAIL WITH PIN		5pcs
VIII	NAIL		50pcs

IX	PE CLIP & SCREW M3.5 X 16		16sets
X	HIPS STOPPER & SCREW M3.5 x 16		2sets
XI	HINGE(C) & SCREW M3.5 x 16		8sets
XII	M4 x 25 CHIPBOARD SCREW		14pcs
XIII	Q-FIT		4sets