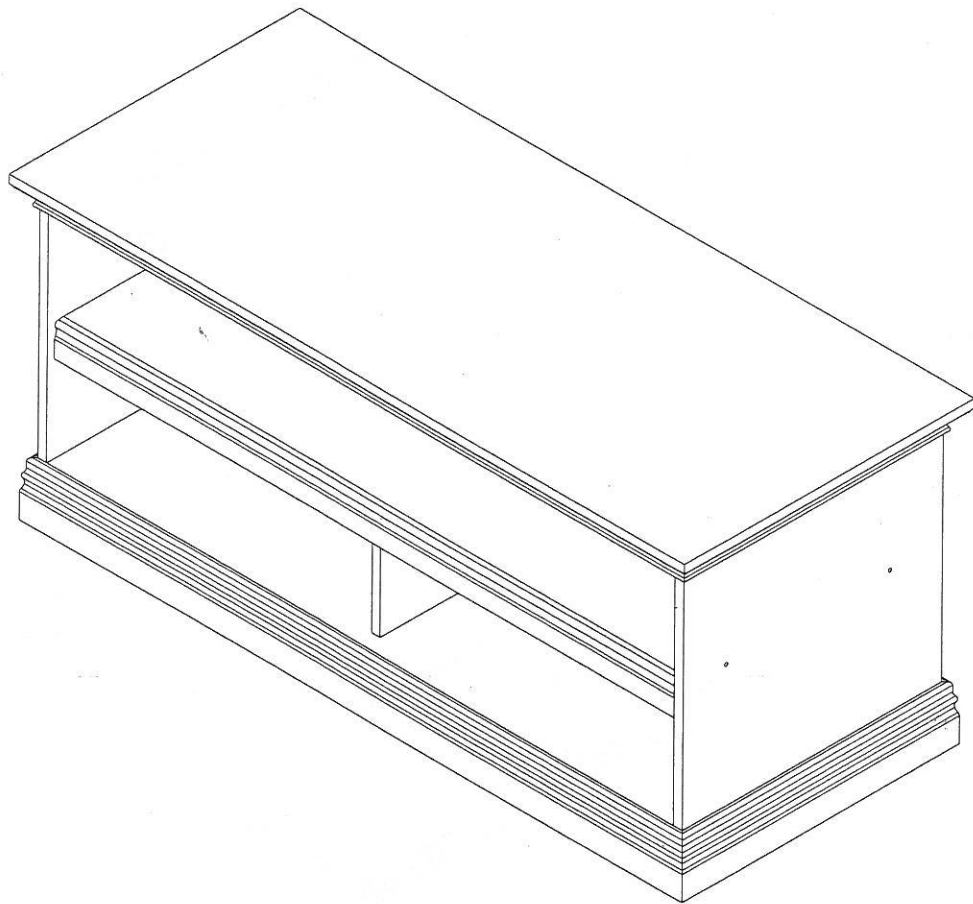


**CAUTION:**

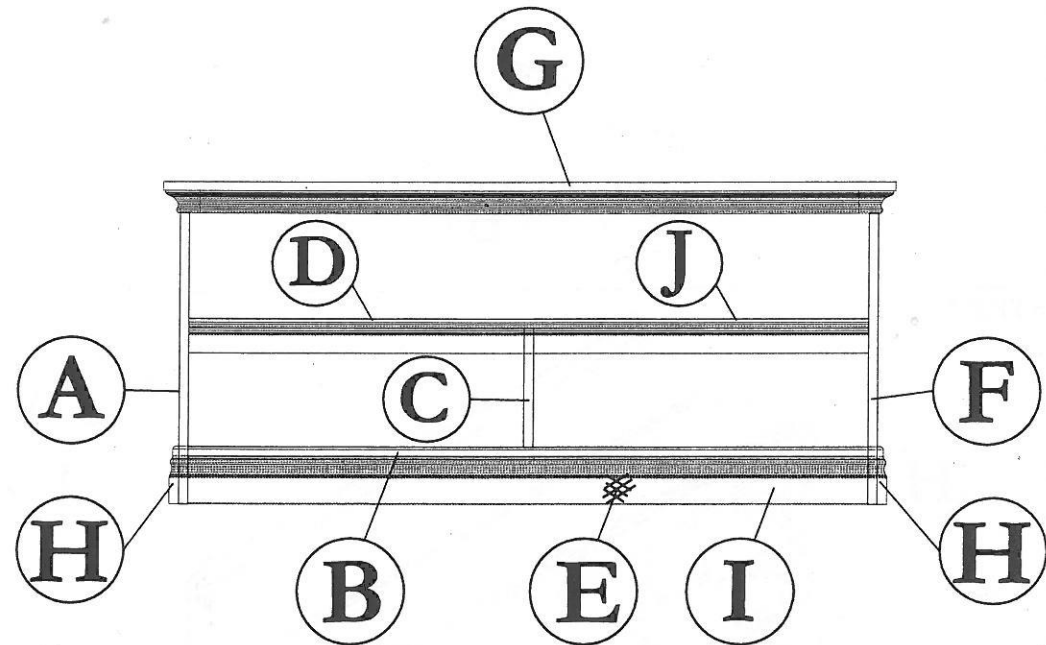
To clean use soft, dry cloth. Do not use detergent or chemicals  
Avoid contact with water and direct sunlight.  
To be assembled on a soft, dry, clean and smooth surface.



# COMPLETE SET

**ORDERING REPAIR PARTS**

In order to obtain smooth and rapid service when ordering repair parts, please give full attention to the following of PART NUMBER.



NO	DESCRIPTION	QTY
A	LEFT SIDE	01
B	LOWER SHELF	01
C	CENTRE VERTICAL	01
D	CENTRE SHELF	01
E	LEG	02

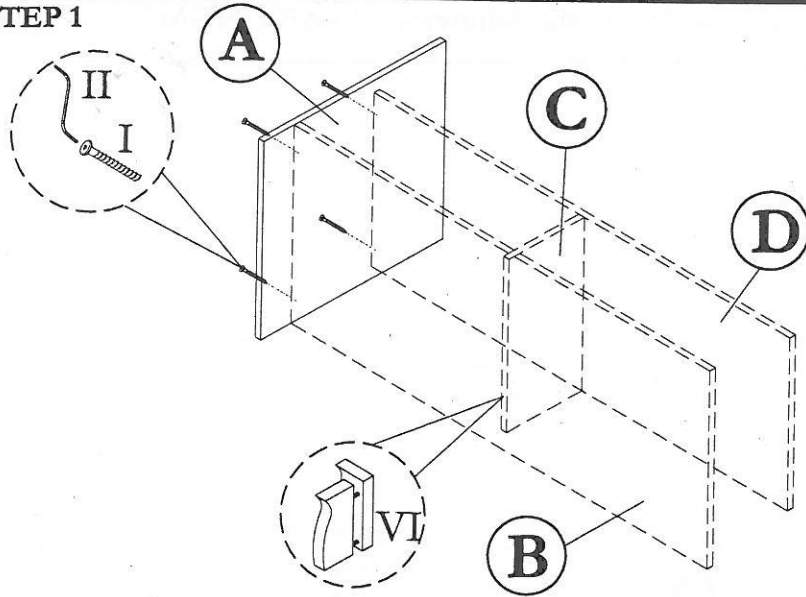
NO	DESCRIPTION	QTY
F	RIGHT SIDE	01
G	TOP	01
H	LEFT/RIGHT SIDE WRAPPING	02
I	FRONT/BACK WRAPPING	02
J	CENTRE SHELF WRAPPING	02

# ASSEMBLY INSTRUCTION

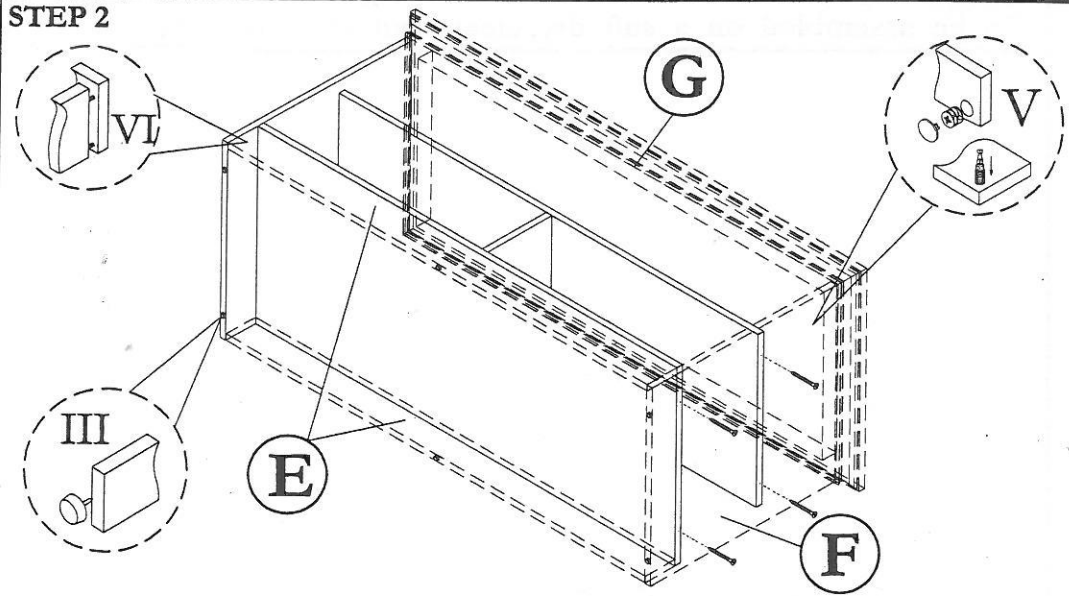
## MODEL : 2162 / COFFEE TABLE

Before you begin, please follow assembly instruction carefully.  
Then follow them step by step.

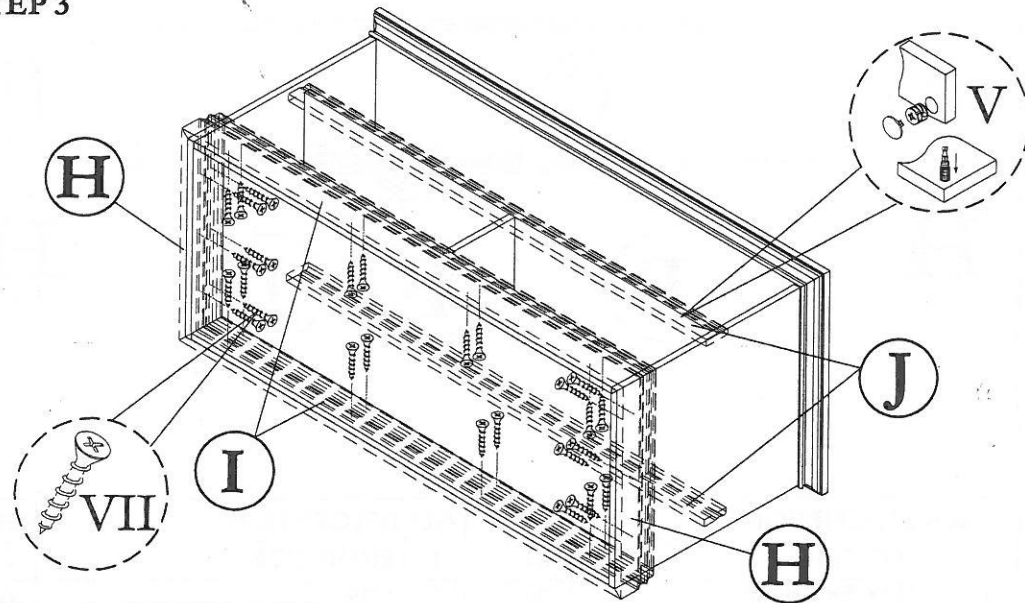
STEP 1



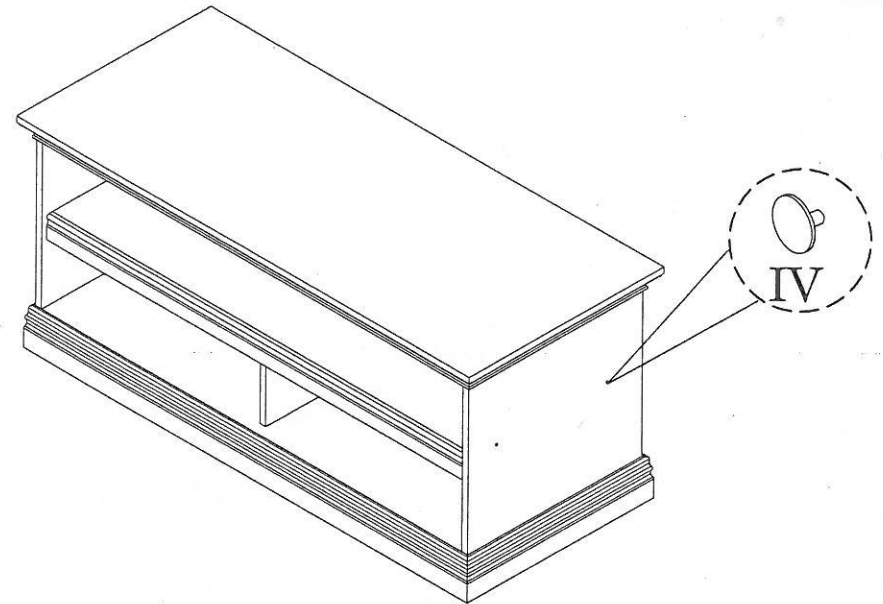
STEP 2



STEP 3



STEP 4



### HARDWARE LIST

NO	DESCRIPTION	QTY
I	JCBCW SCREW M6 x 45	8pcs
II	M4 ALLEN KEY	1pc

III	PVC NAIL WITH PIN	6pcs
IV	CAP SMALL	4pcs
V	Q-FIT	10sets
VI	M8 x 30 PLASTIC DOWEL	12pcs

VII	M4 x 25 CHIPBOARD SCREW	28pcs