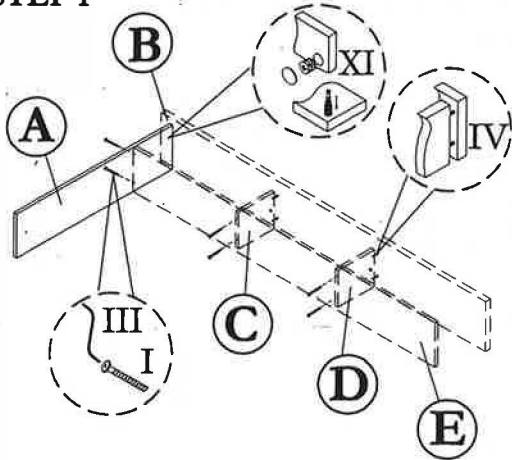


# ASSEMBLY INSTRUCTION

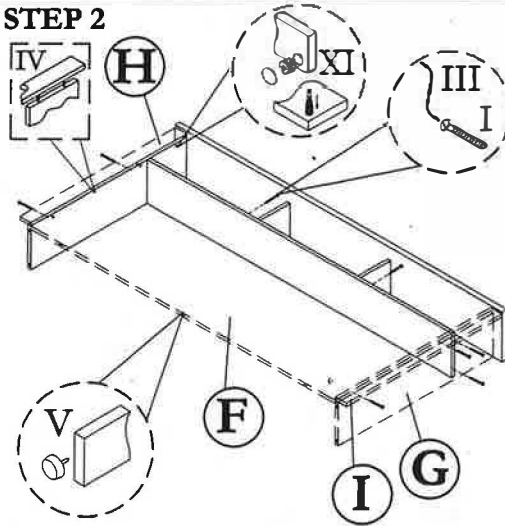
## MODEL : 4898 DB / DOUBLE BED (1600 X 2000)

Before you begin, please follow assembly instruction carefully.  
Then follow them step by step.

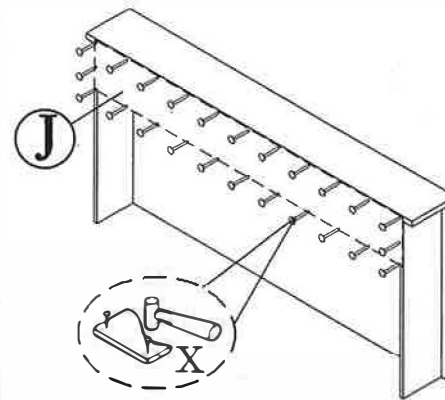
STEP 1



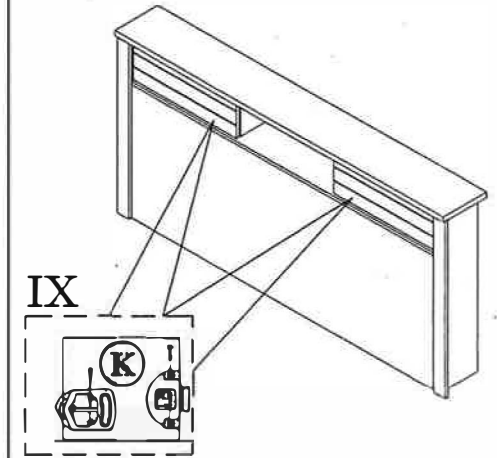
STEP 2



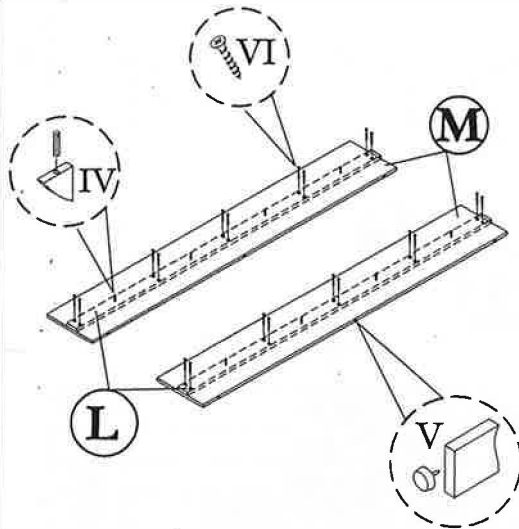
STEP 3



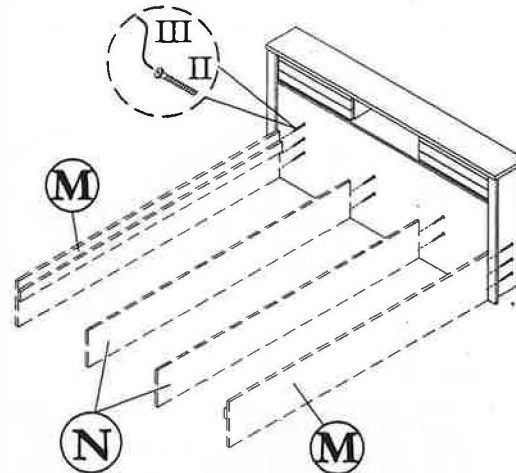
STEP 4



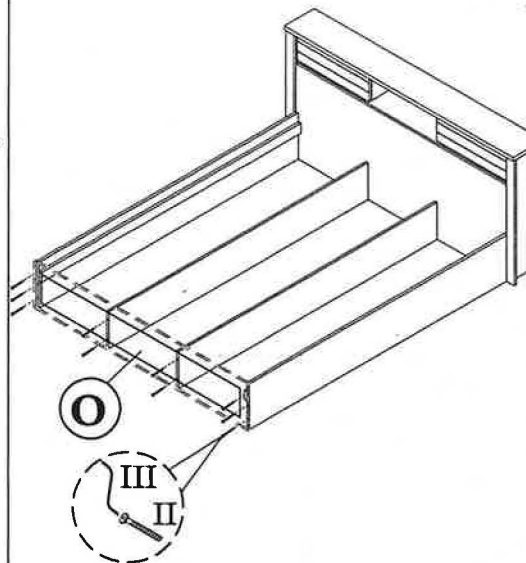
STEP 5



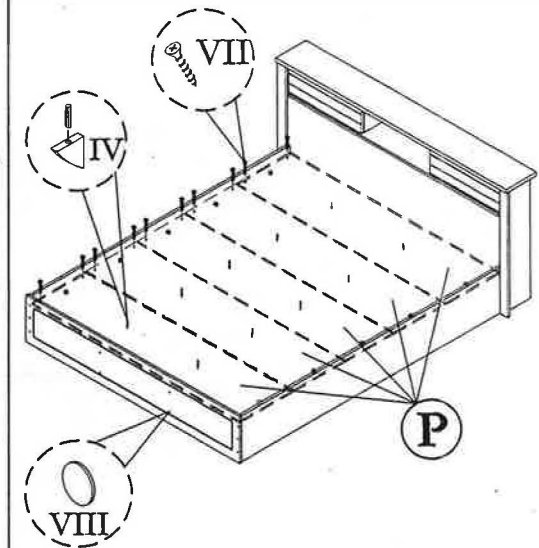
STEP 6



STEP 7



STEP 8



### HARDWARE LIST

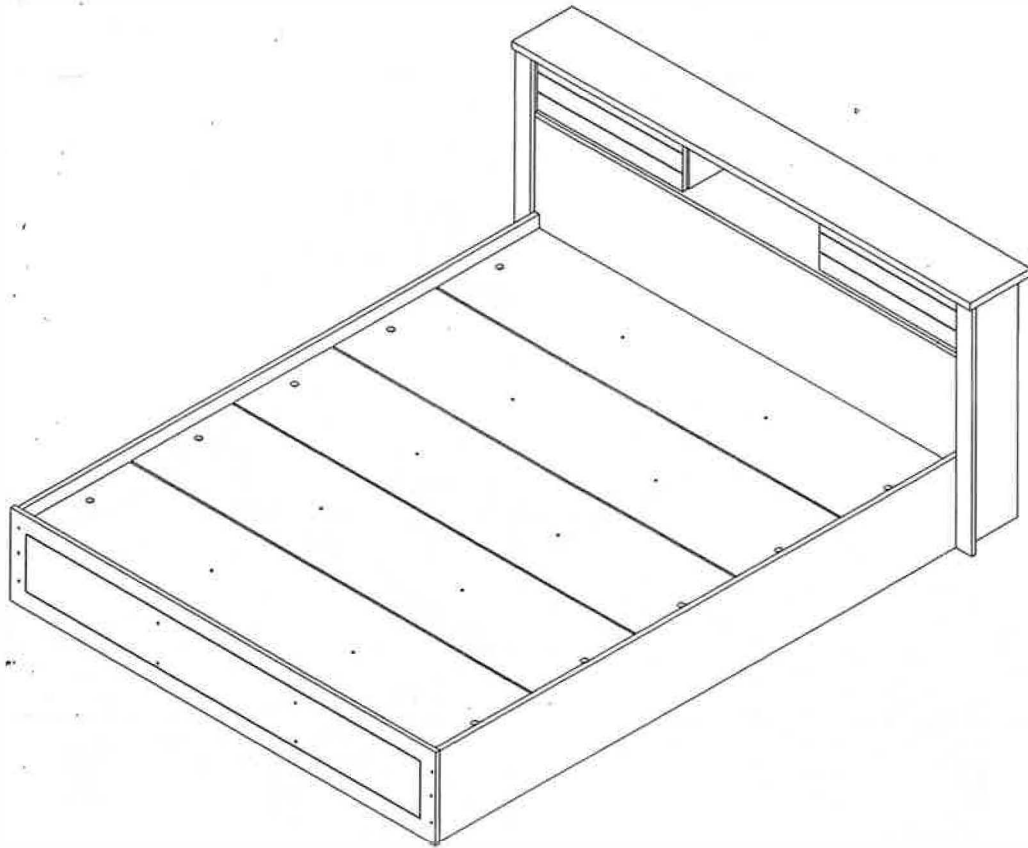
NO	DESCRIPTION	QTY
I	JCBCW SCREW M6.3 x 50	14pcs
II	JCBCW SCREW M6.3 x 65	20pcs
III	M4 ALLEN KEY	1pc

IV	M8 x 30 DOWEL	24pcs
V	PVC NAIL WITH PIN	22pcs
VI	M3.5 x 30 CHIPBOARD SCREW	20pcs
VII	M4 x 25 CHIPBOARD SCREW	20pcs
VIII	STICKER	20pcs

IX	UPPER & LOWER GUIDE & SCREW M3.5 x 16	4sets
X	NAIL	40pcs
XI	Q-FIT	10sets

**CAUTION:**

To clean use soft, dry cloth. Do not use detergent or chemicals  
Avoid contact with water and direct sunlight.  
To be assembled on a soft, dry, clean and smooth surface.



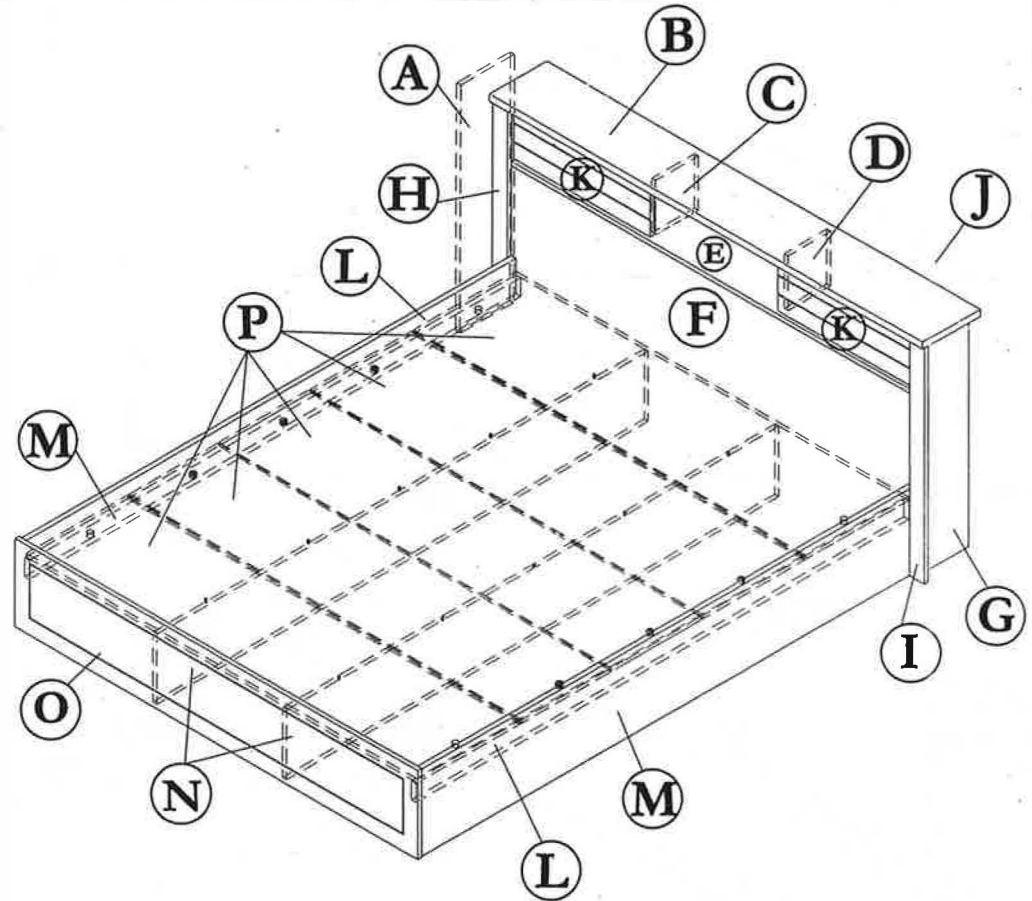
world  
**pako**

123-000175

**COMPLETE SET**

**ORDERING REPAIR PARTS**

In order to obtain smooth and rapid service when ordering repair parts,  
please give full attention to the following of PART NUMBER.



NO	DESCRIPTION	QTY
A	LEFT SIDE (Head)	01
B	TOP (Head)	01
C	CENTRE VERTICAL (Head)	01
D	CENTRE VERTICAL (Head)	01
E	CENTRE SHELF (Head)	01
F	BACK VERTICAL (Head)	01
G	RIGHT SIDE (Head)	01
H	LEFT SIDE WRAPPING	01
I	RIGHT SIDE WRAPPING	01

NO	DESCRIPTION	QTY
J	BACK (Head)	01
K	DOOR (Head)	02
L	SIDE SUPPORT (Body)	02
M	SIDE (Body)	02
N	CENTRE VERTICAL (Body)	02
O	FRONT VERTICAL (Body)	01
P	DECORATIVE BOARD	05