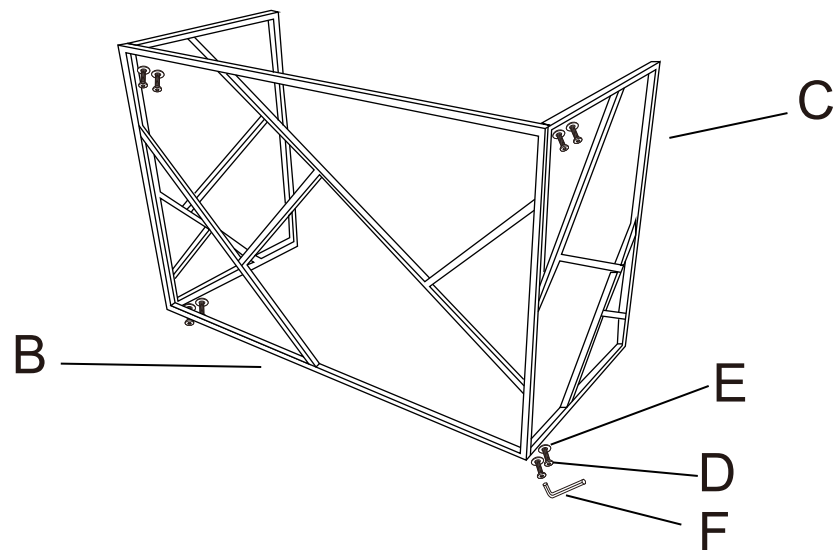
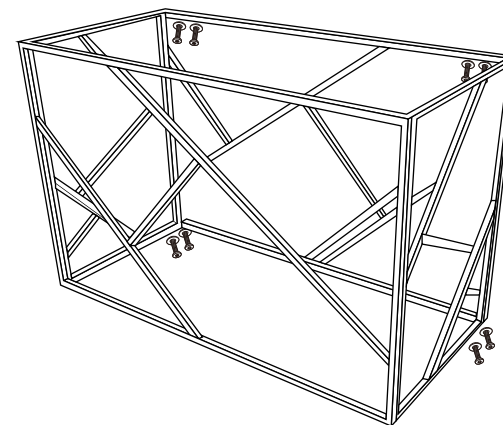


ASSEMBLY INSTRUCTION

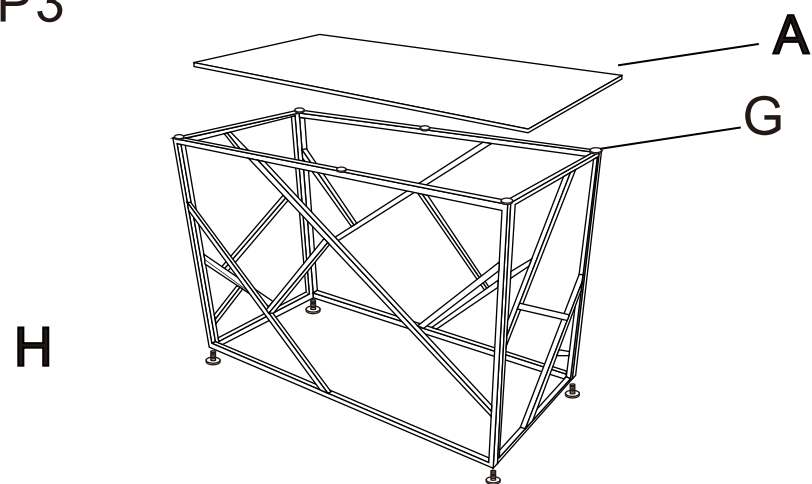
STEP1



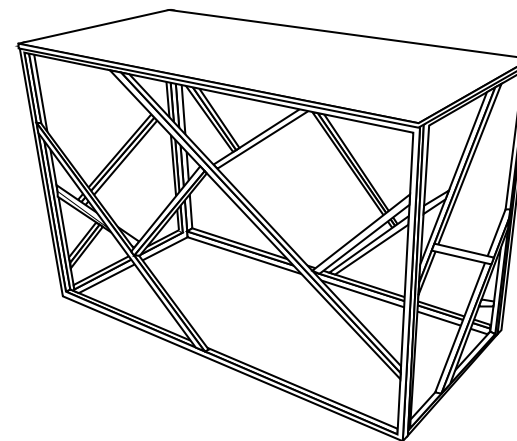
STEP2



STEP3



STEP4

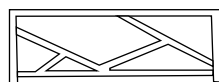


A



1

B



2

C



2

D



16

E



16

F



1

G



6

H



4