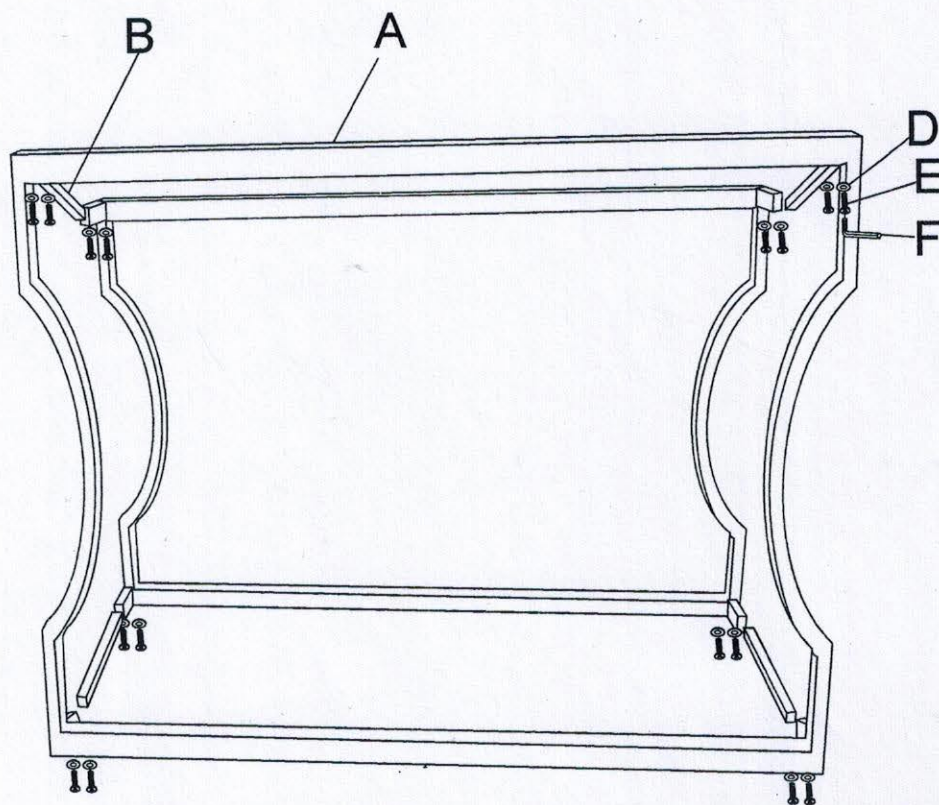
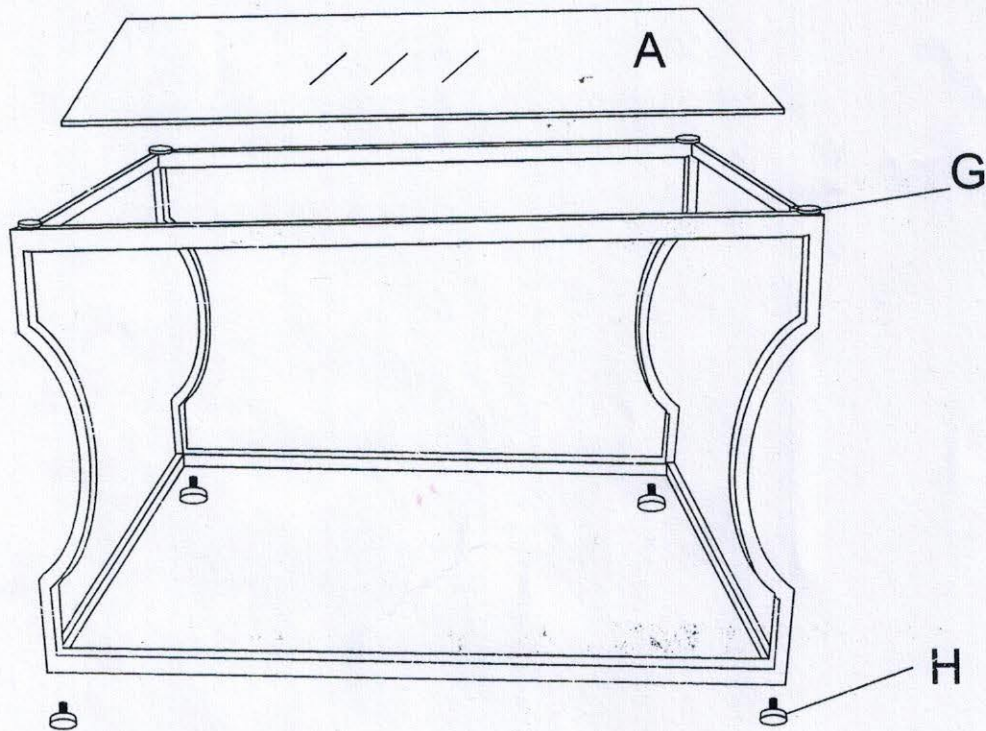




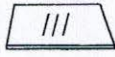

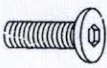
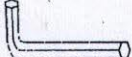


ASSEMBLY DRAWING

1STEP



2STEP



| | | | | | | | |
|---|---|---|---|---|--|---|---|
|  |  |  |  |  |  |  |  |
| Ax2 | Bx4 | Cx1 | Dx16 | Ex16 | Fx1 | Gx4 | Hx4 |