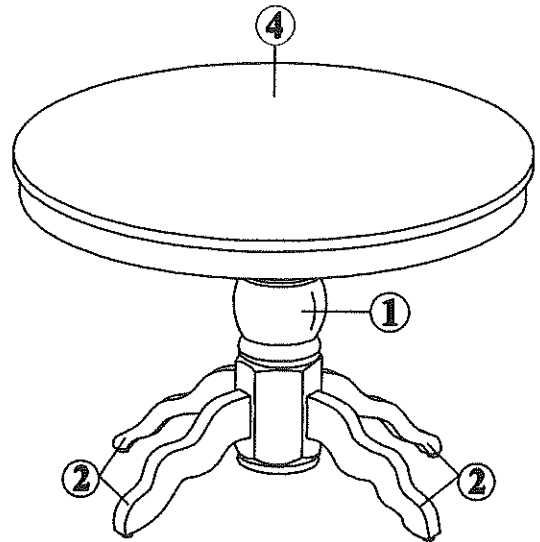
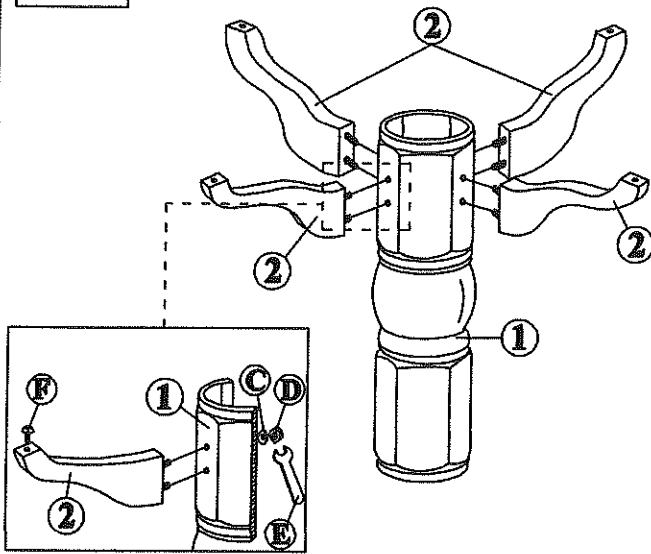
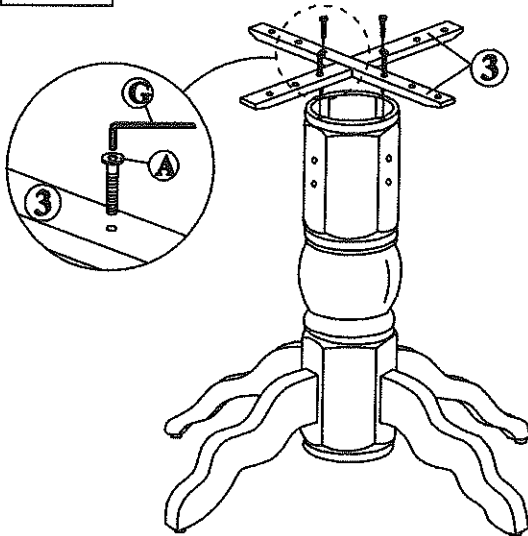


ASSEMBLY INSTRUCTIONS

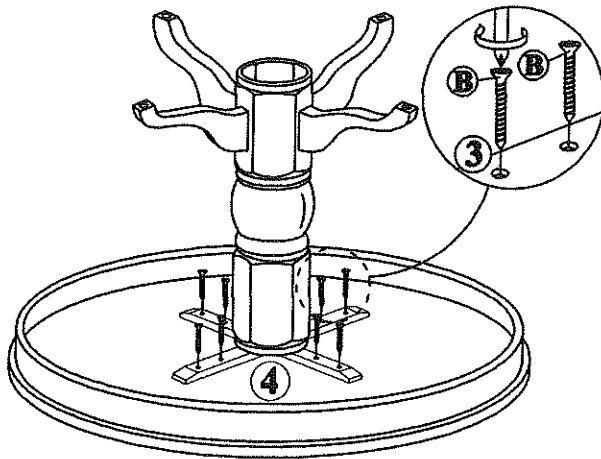
STEP 1

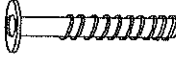
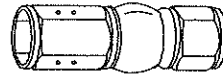
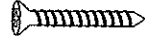


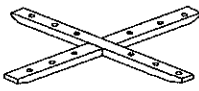


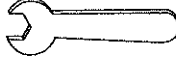
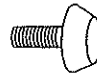
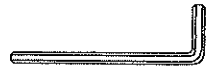


STEP 2

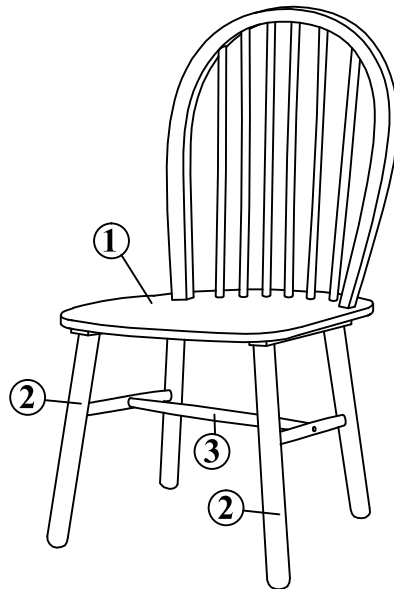


STEP 3

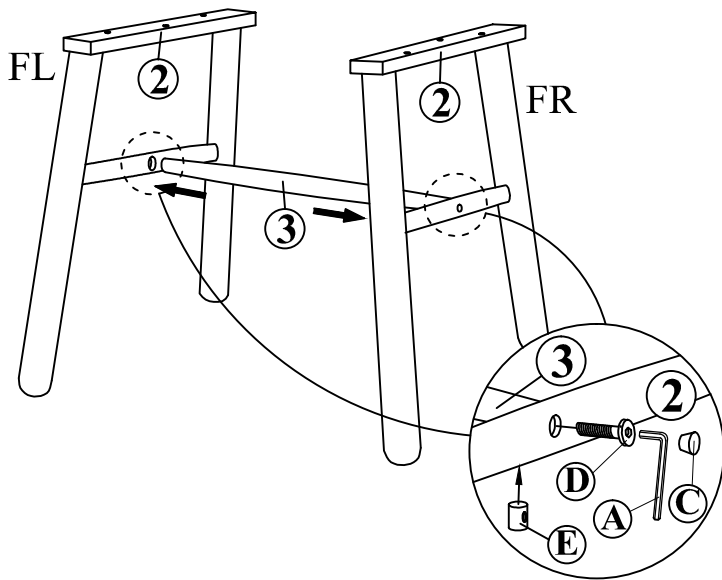


	
M6 x 40 mm A (4)	1 (1)
	
M4 x 32mm B (8)	2 (4)
	
C (8)	3 (2)
	
D (8)	4 (1)
	
E (1)	
	
F (4)	
	
G (1)	

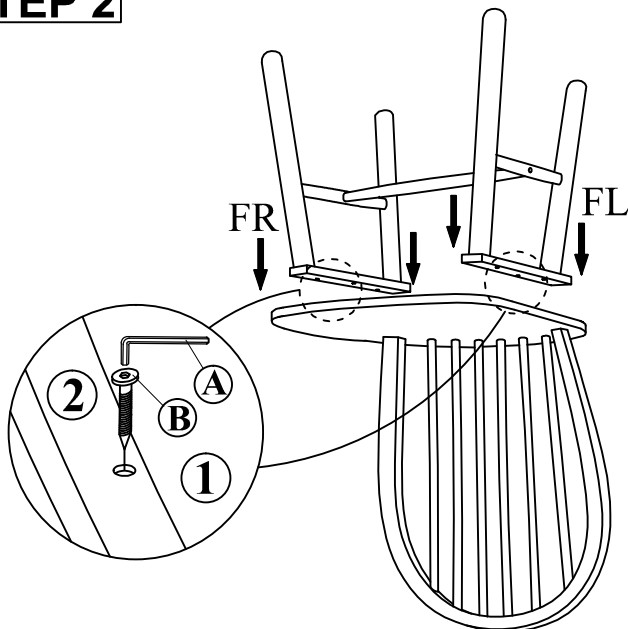
ASSEMBLY INSTRUCTION



STEP 1



STEP 2



M4 A (1)	1 (1)
JCBC-W M7 x 40mm B (6)	2 (2)
Wood Button C (2)	3 (1)
JCBC M6 x 50mm D (2)	
Barrel Nut E (2)	