

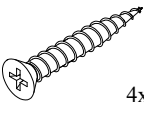
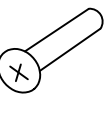

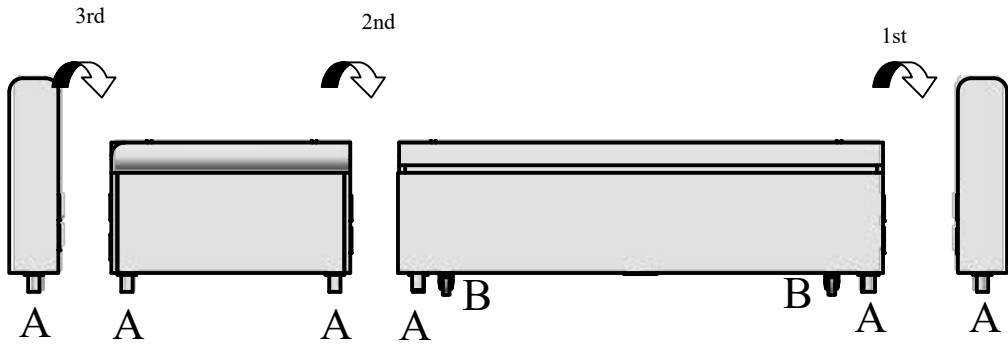
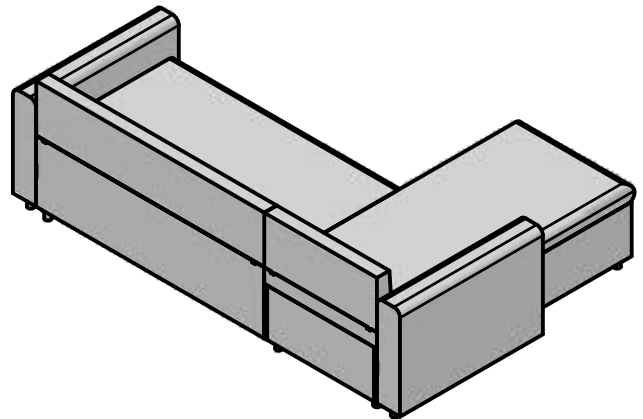
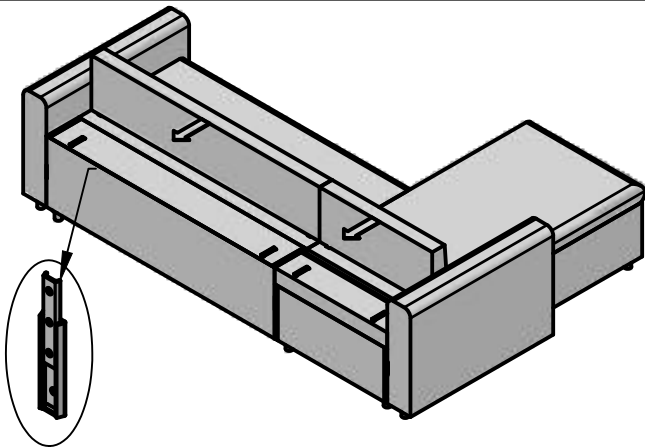


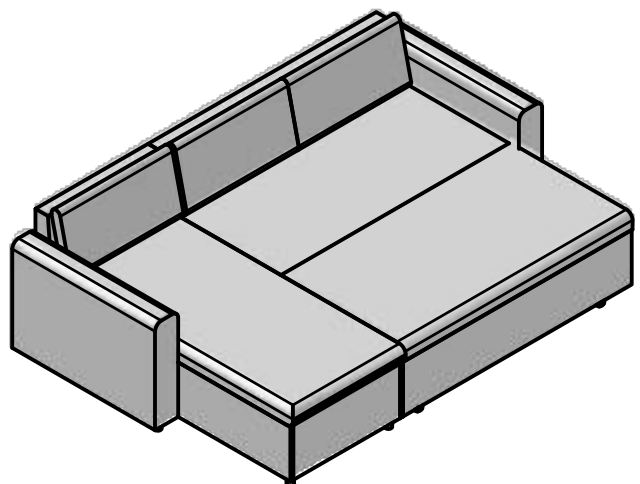
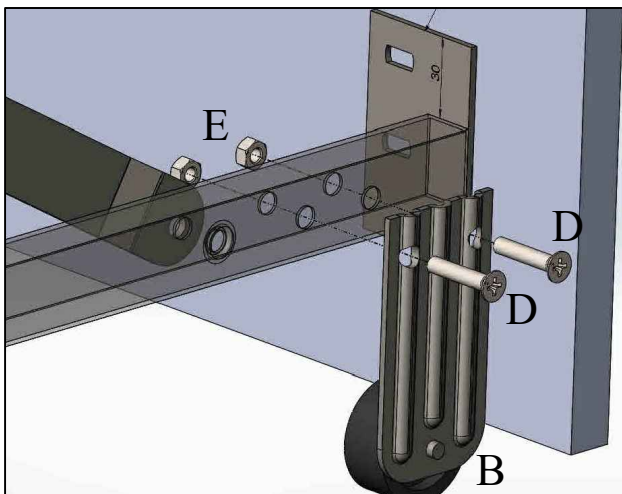
<p>A 12pcs</p>  <p>5 cm</p>	<p>B 2pcs</p> 	<p>C 12pcs</p>  <p>4x40</p>	<p>D 4pcs</p>  <p>6x40</p>	<p>E 4pcs</p> 
--------------------------------------------------------------------------------------------------------------------	--------------------------------------------------------------------------------------------------------	---------------------------------------------------------------------------------------------------------------------	--------------------------------------------------------------------------------------------------------------------	---------------------------------------------------------------------------------------------------------



Attach the arms to the 2-seater and the chaiselong. You choose the direction of the corner.



Slide the top of the backs on the lower parts using the hinges.



Attach the 2 wheels where indicated.