

ASSEMBLY INSTRUCTION

Hardware / Quincaillerie

Tools Required / Outils requis



A
x8



M6X40mm

B
x18



M8X15mm

C
x4



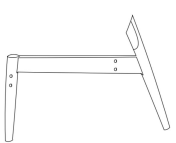
M6X20mm

D
x20

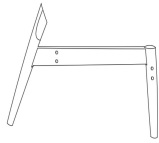


E

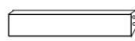
Components



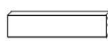
H
x1



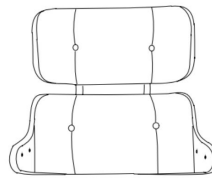
I
x1



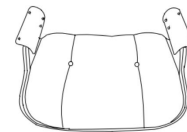
J
x1



K
x1



L
x1



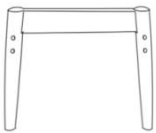
M
x1



N1
x1



N2
x1



O
x2



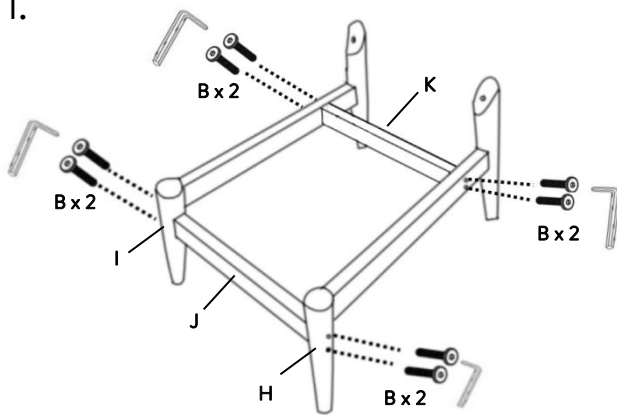
P
x2



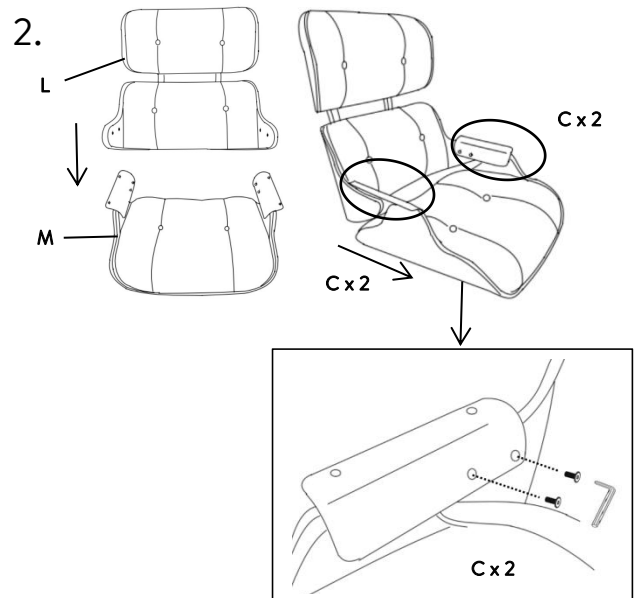
Q
x1

Assembly Instructions

1.

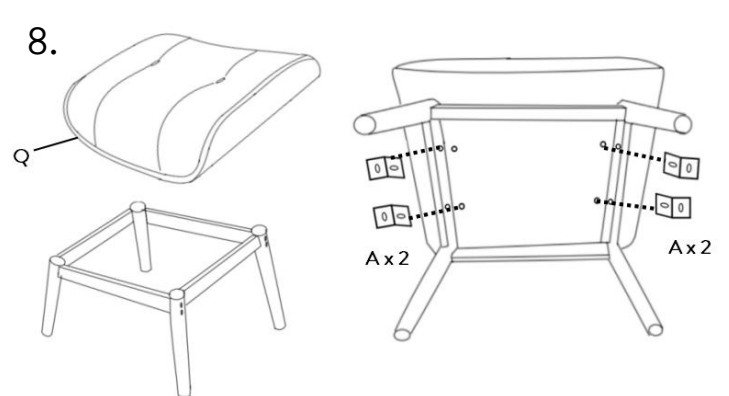
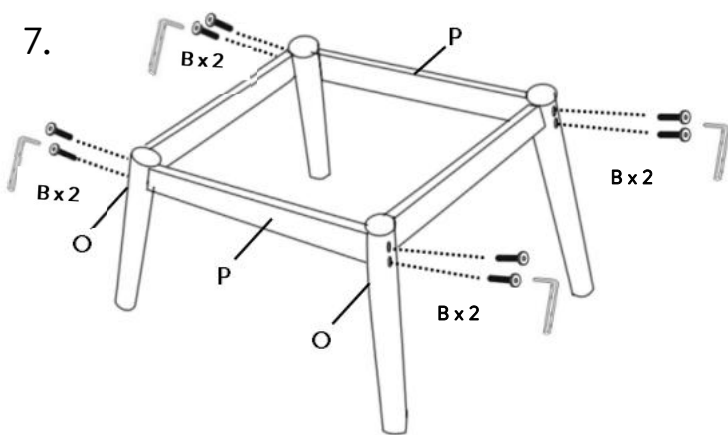
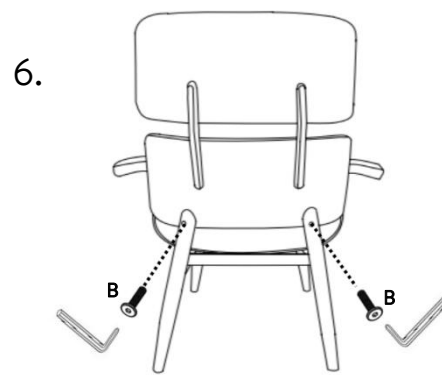
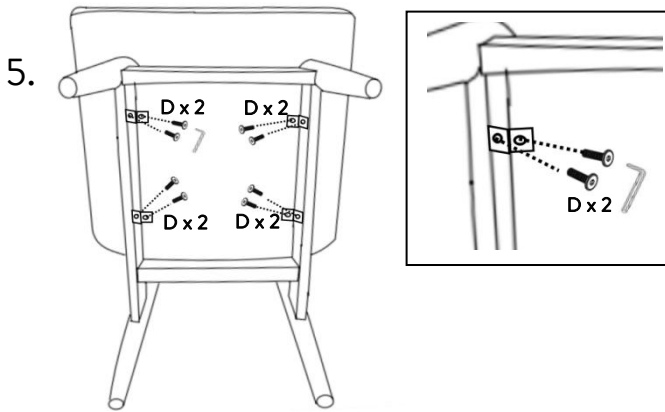
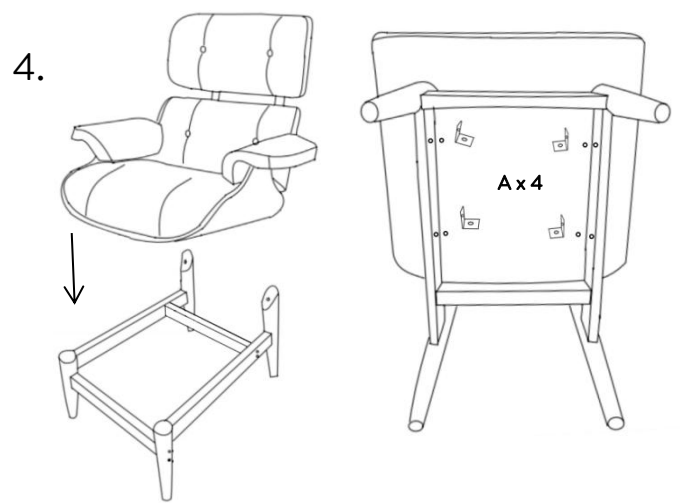
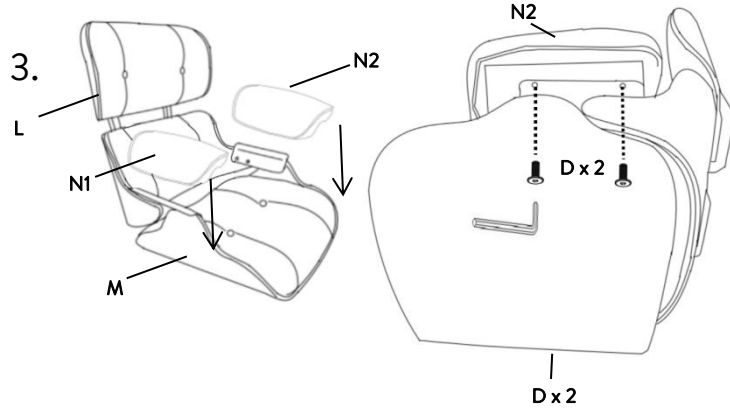


2.



ASSEMBLY INSTRUCTION

Assembly Instructions



ASSEMBLY INSTRUCTION

Assembly Instructions

9.

