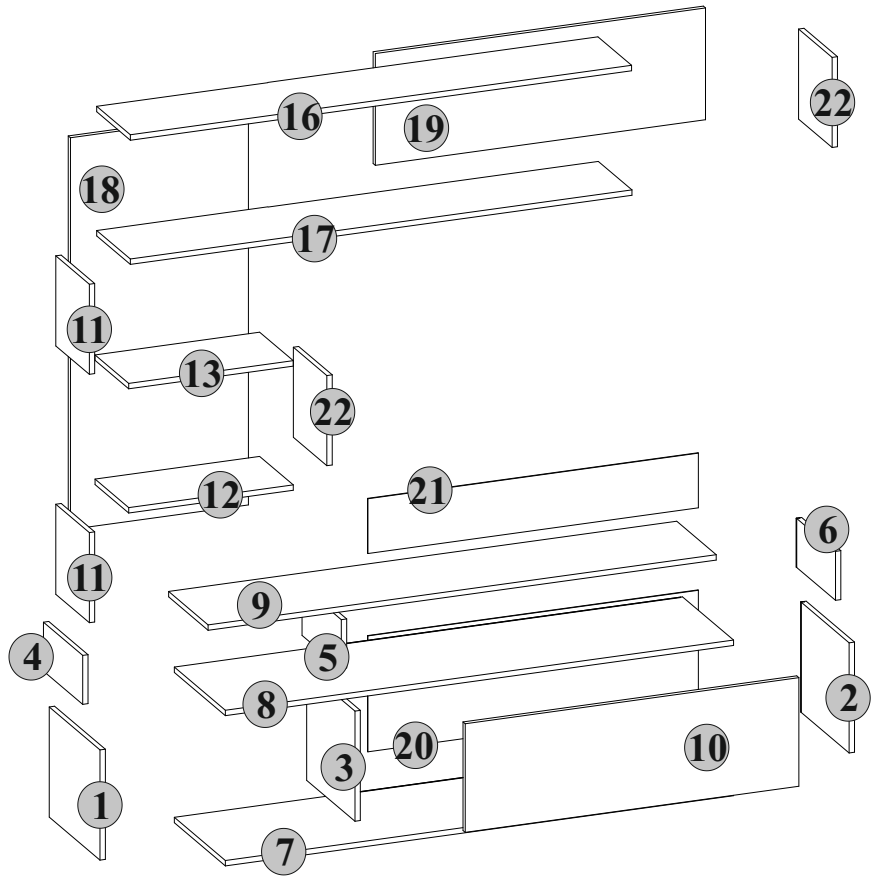
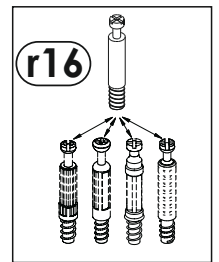
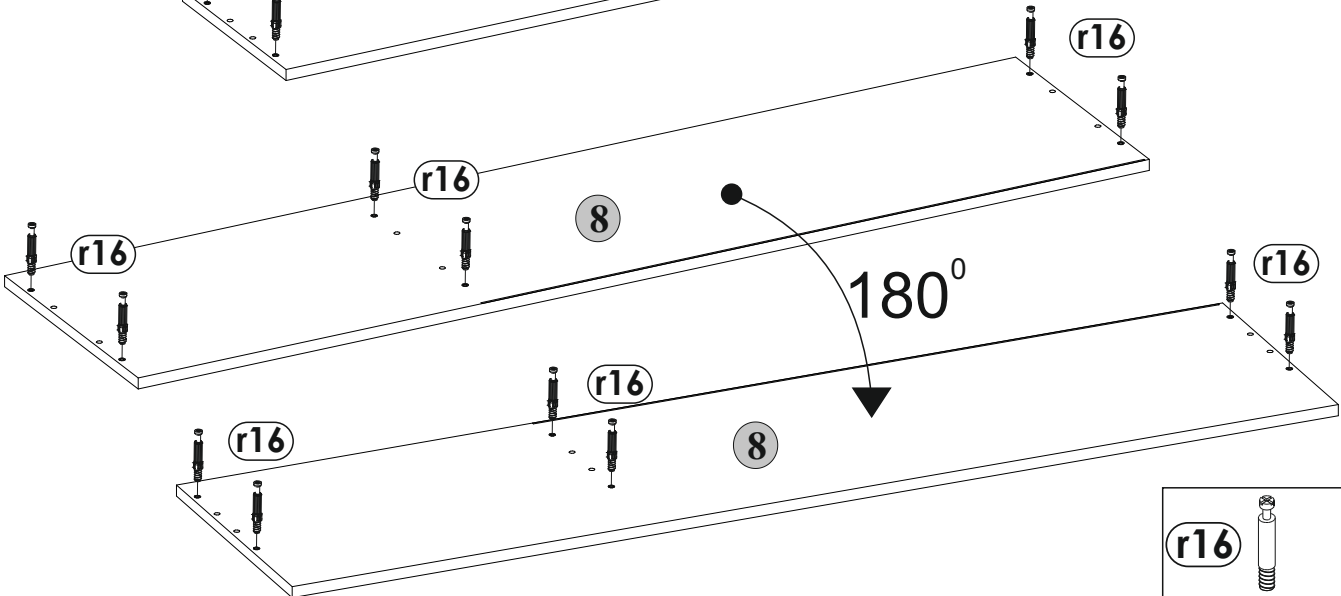
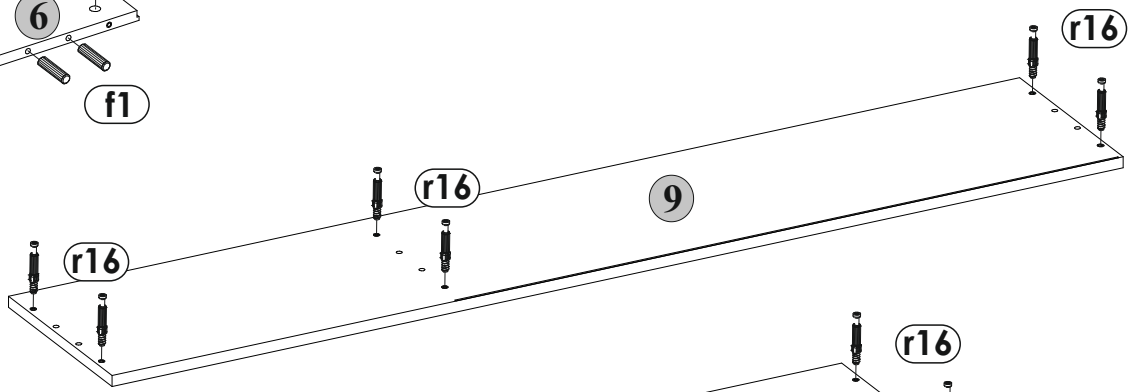
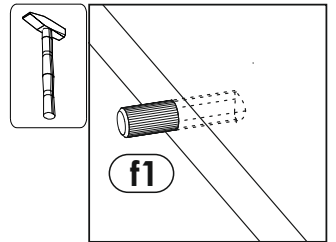
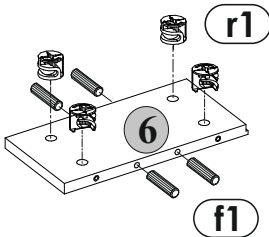
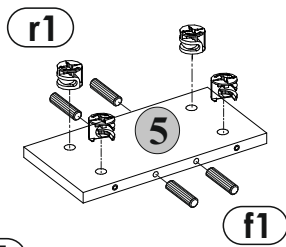
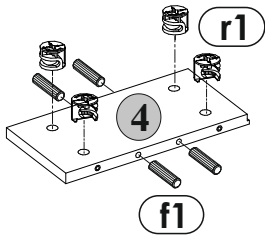
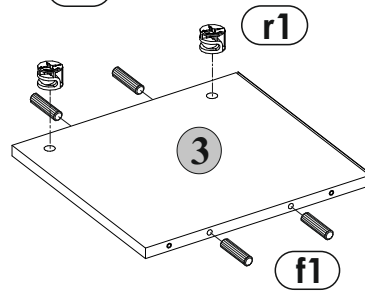
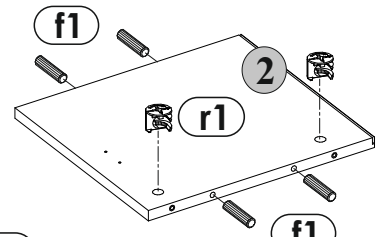
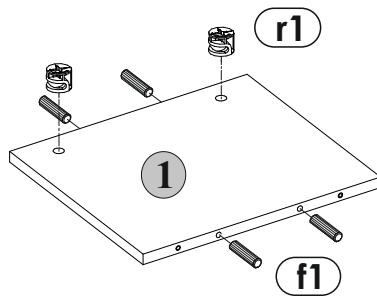
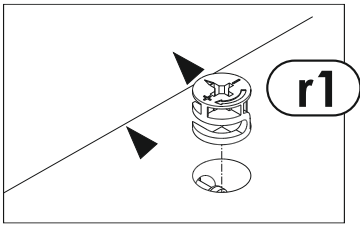


number	Measurements	Pcs.
1	324x374	1
2	324x356	1
3	324x356	1
4	144x289	1
5	144x289	1
6	144x289	1
7	1514x376	1
8	1514x376	1
9	1514x291	1
10	994x319	1
11	265x215	2
12	490x216	1
13	490x216	1
16	1494x216	1
17	1494x216	1
18	1152x530	1
19	328x984	1
20	985x341	1
21	985x161	1
22	265x215	2

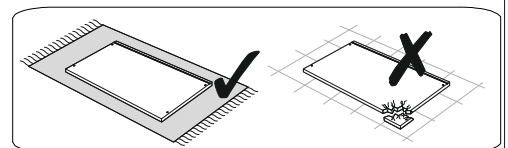
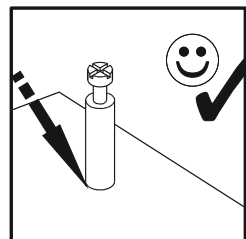
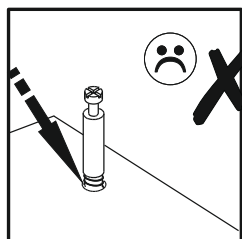
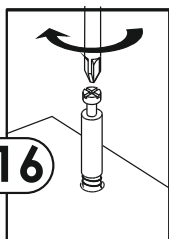


36x  r16	8x  φ3.5x13 mm p1	40x  s2	2x  r10	1x  c133	
2x  n3	4x  φ5x10.5 mm e3	1x  y1	40x  φ15 #16 r1	2x  M3.5x25mm p8	2x  b1
1x  m3	6x  k43	6x  φ4x25 mm p36	1x  z1	4x  φ6.3x13 mm e2	2x  a2
20x  φ6.5x50 mm e1	20x  s1	42x  φ8x32 mm f1	2x  φ8x50 mm f6	50x  l1	<b>1</b>

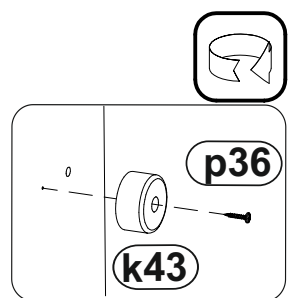
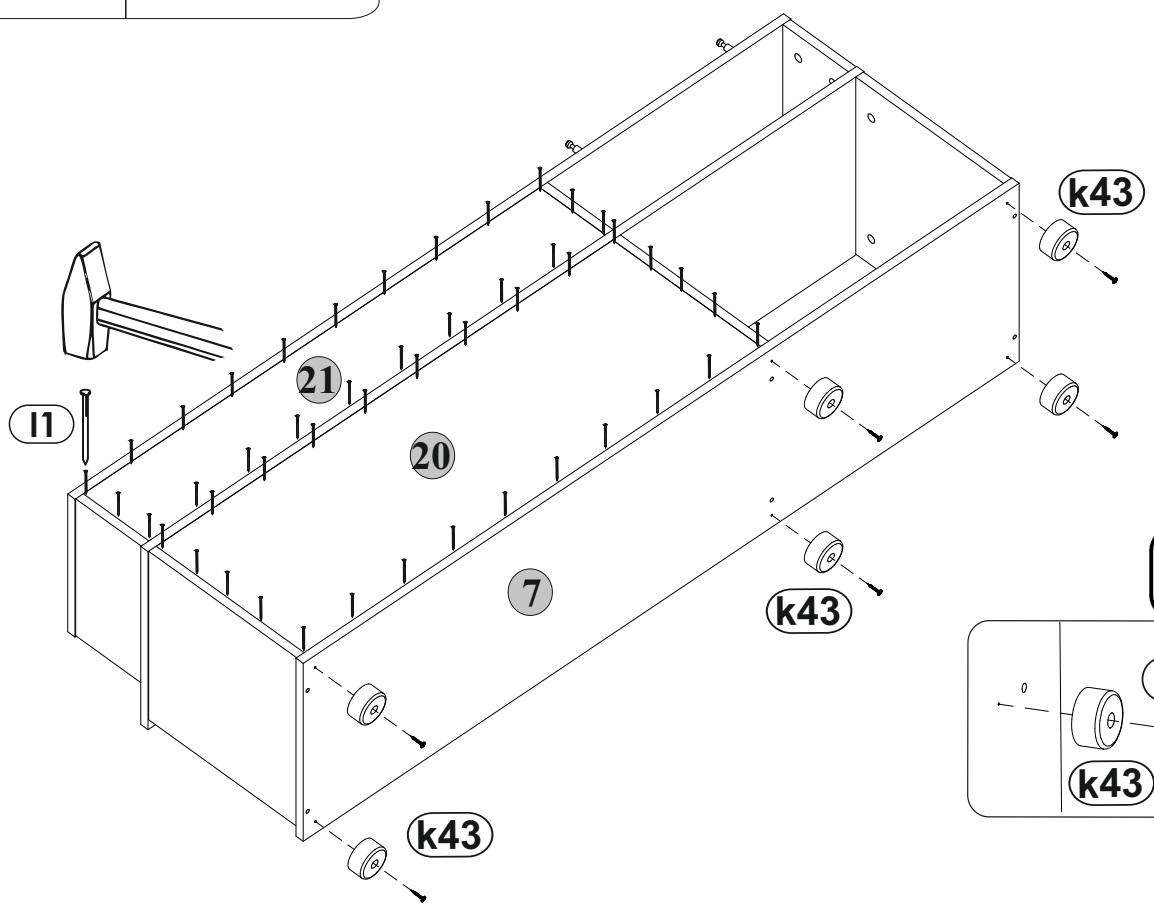
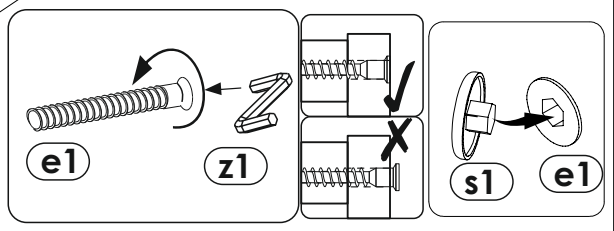
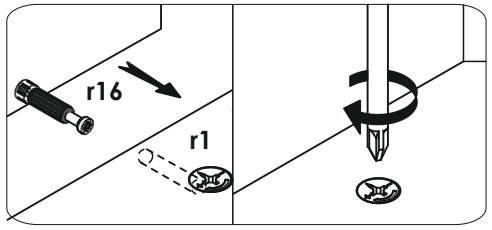
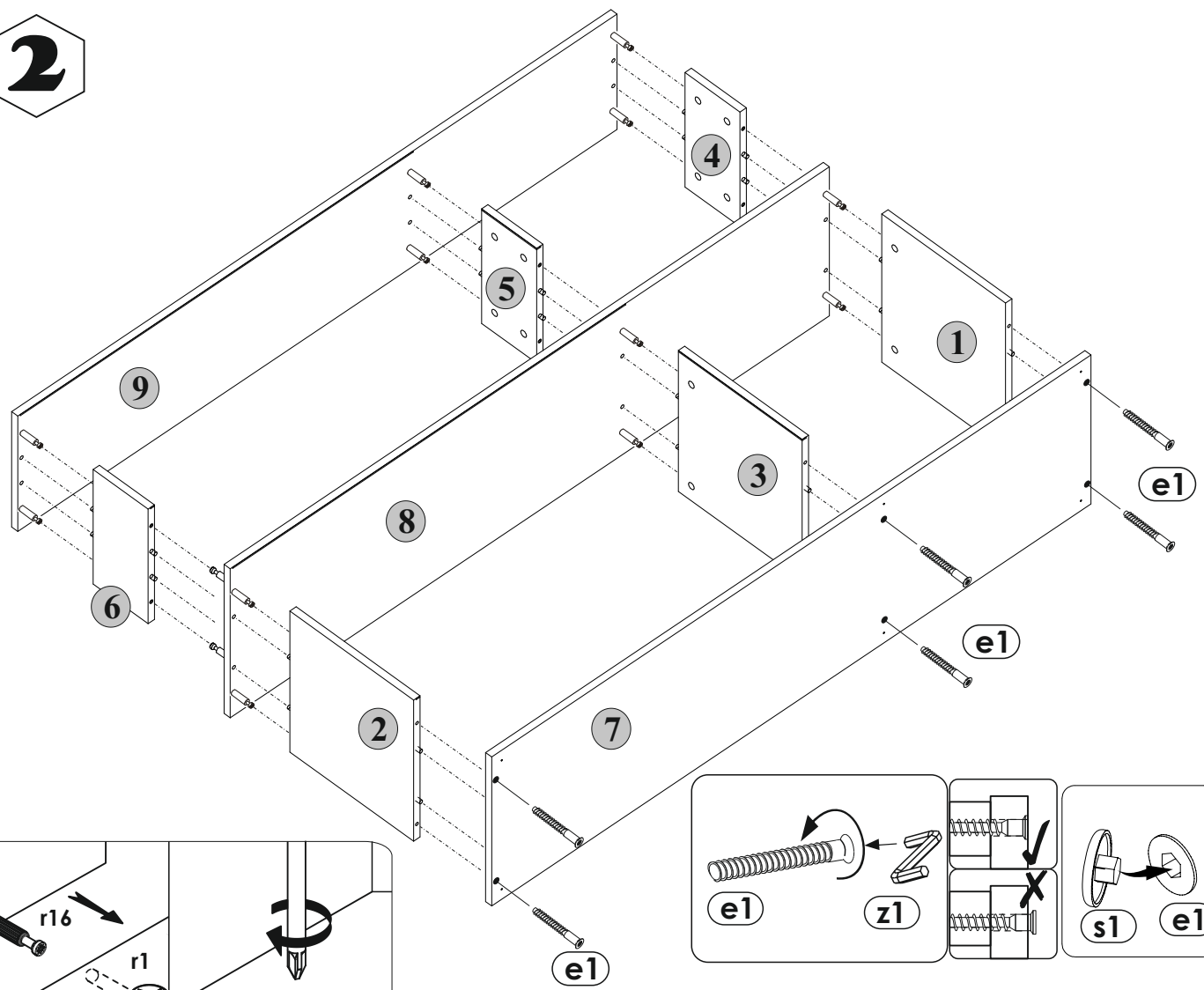
# I



## 2

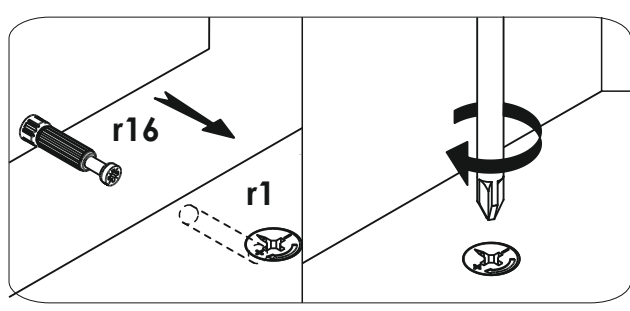
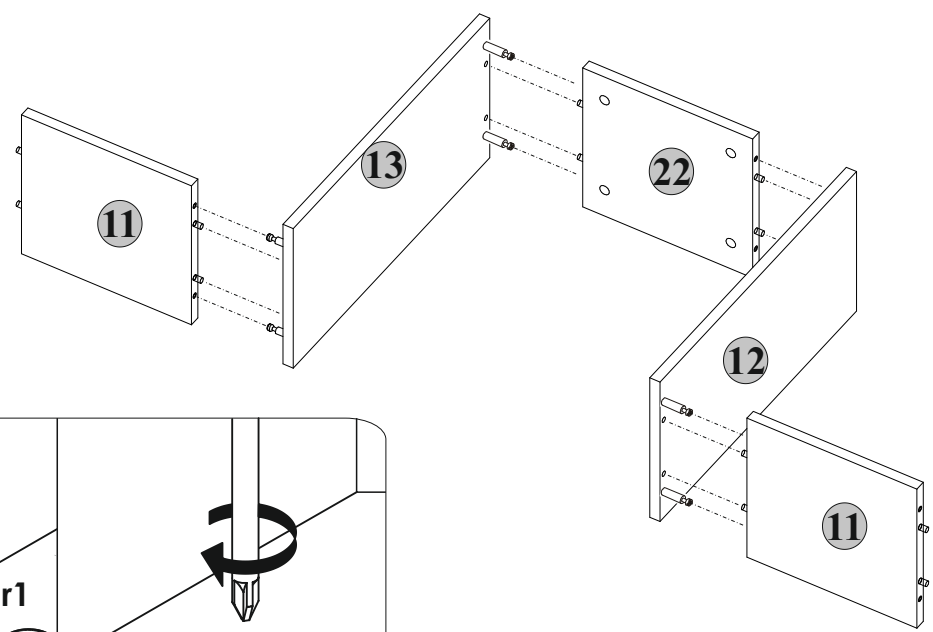
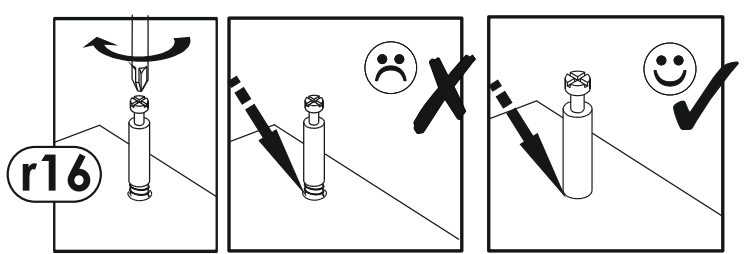
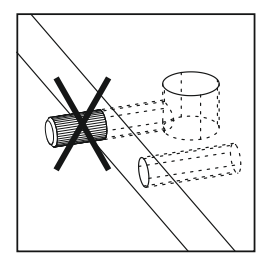
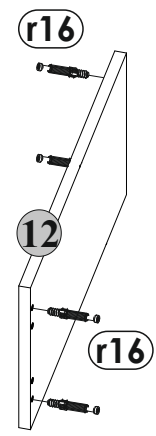
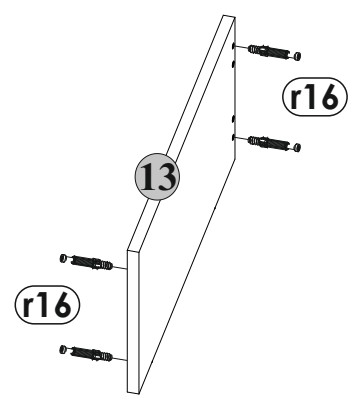
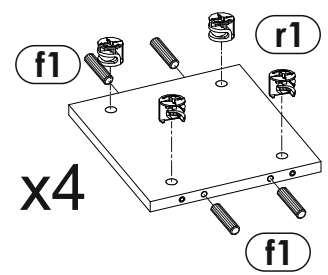
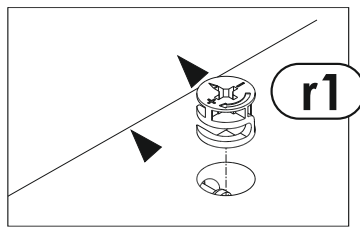
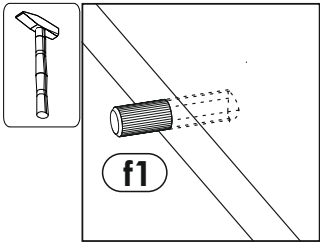


**2**



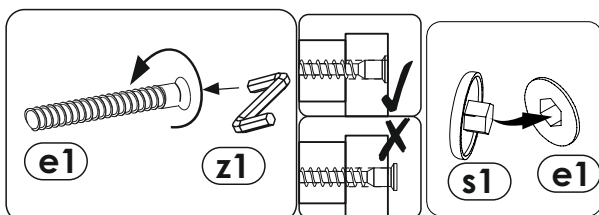
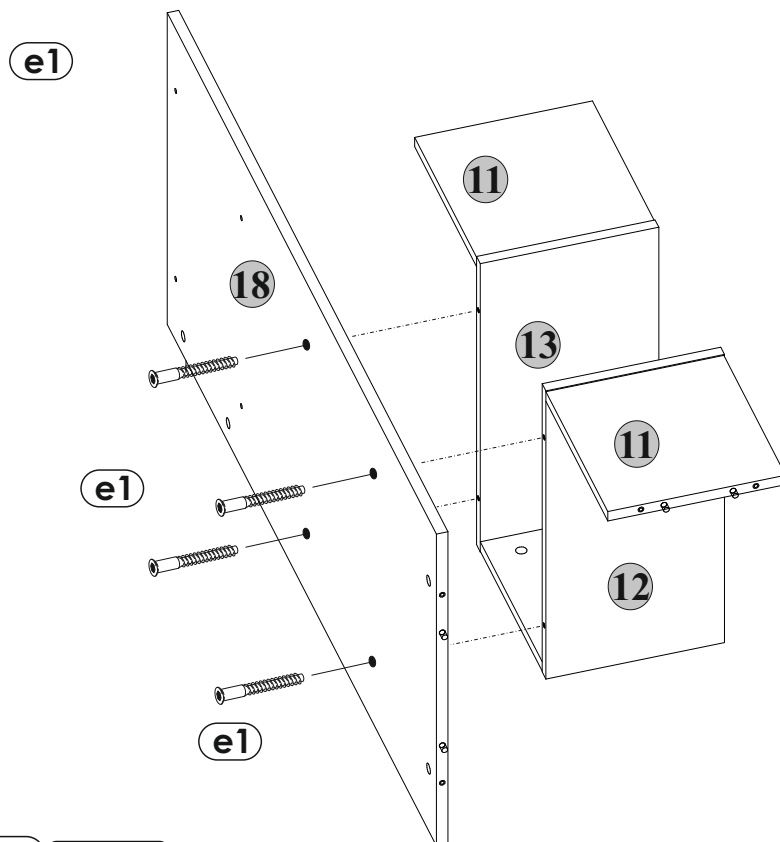
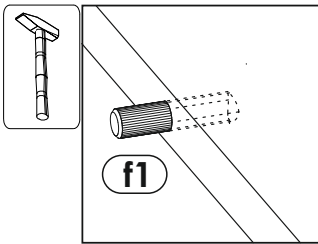
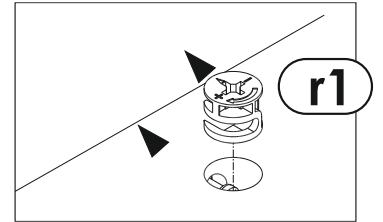
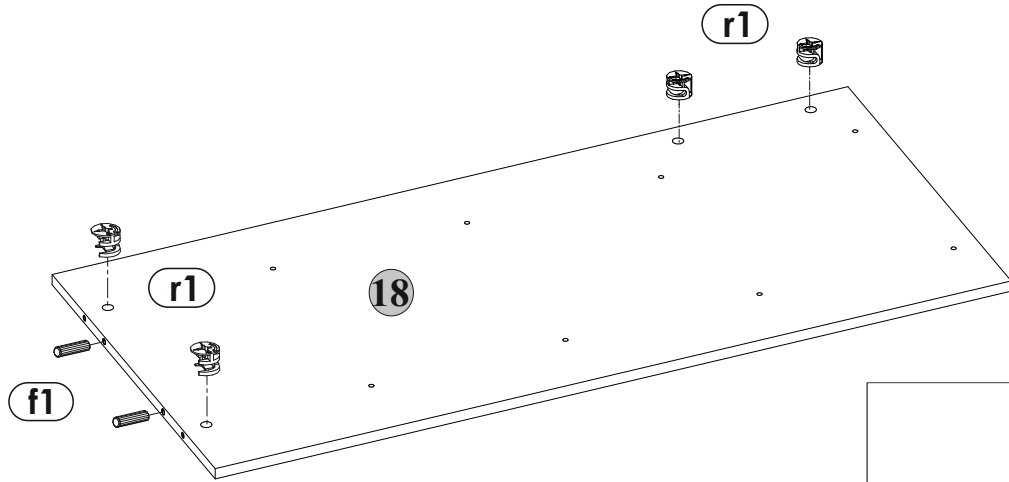
**3**

4



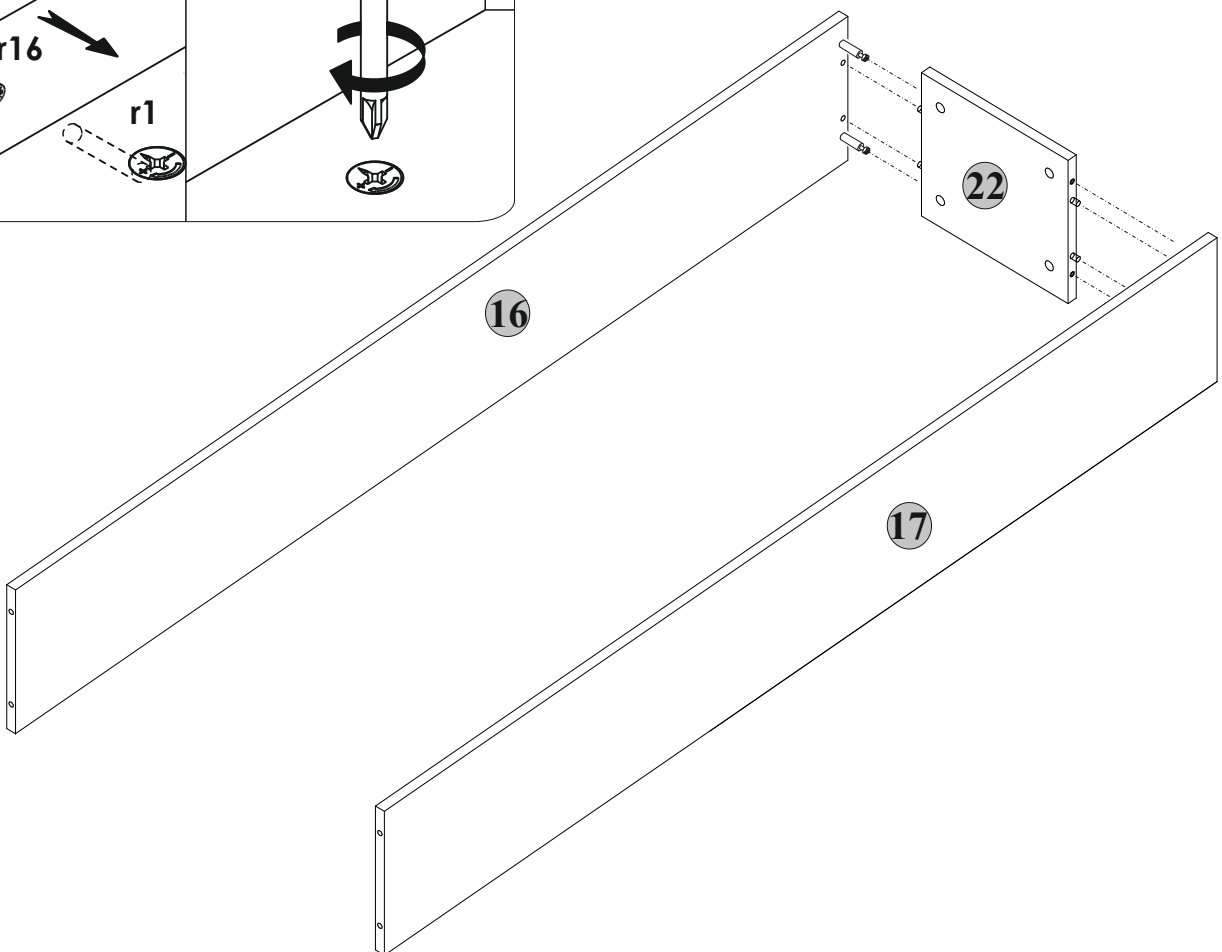
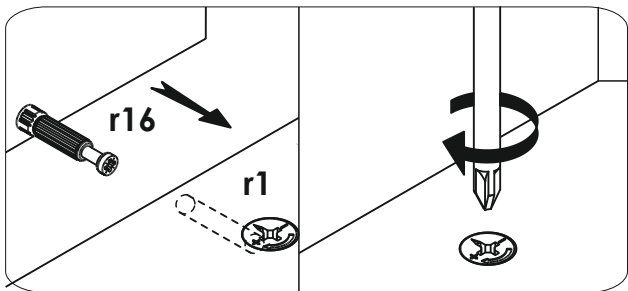
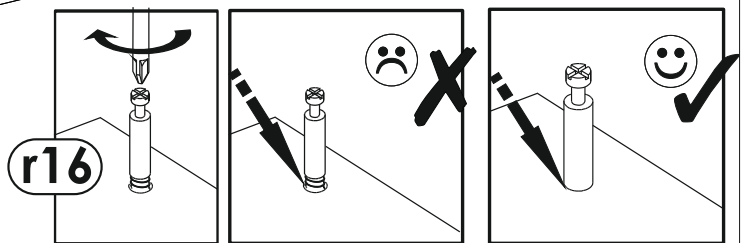
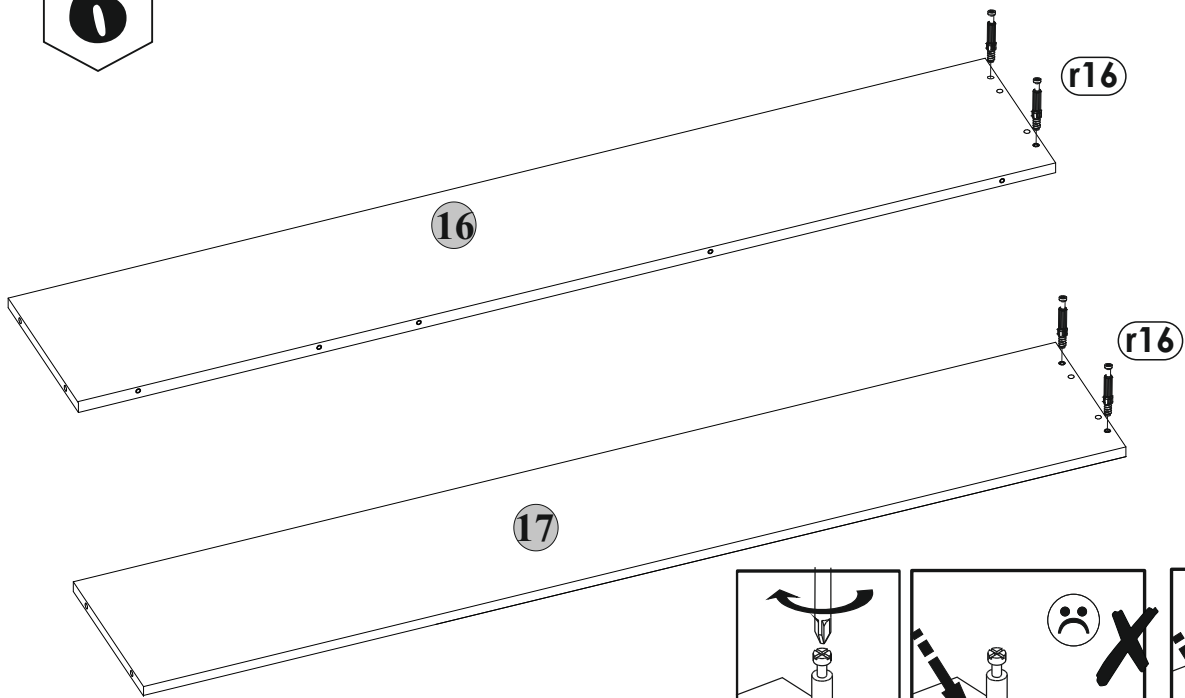
4

5



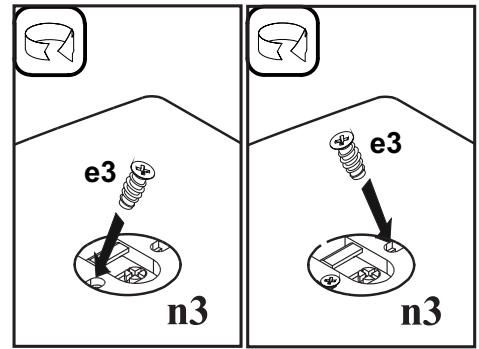
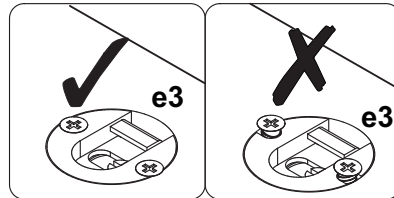
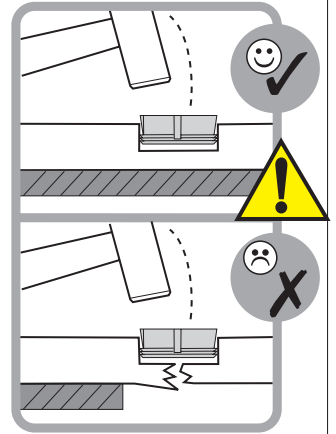
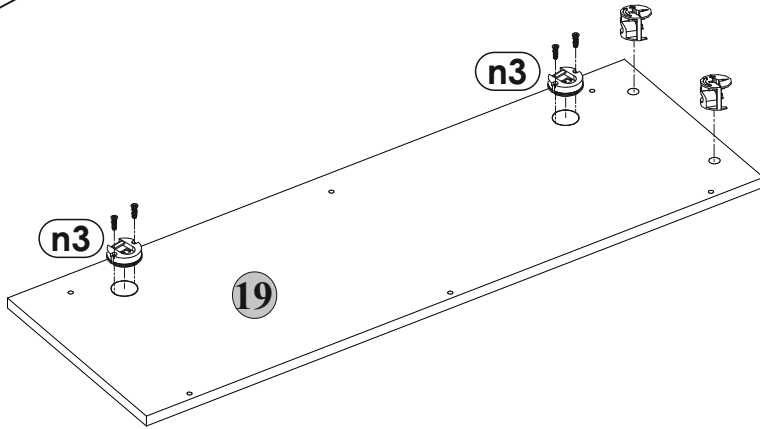
5

6

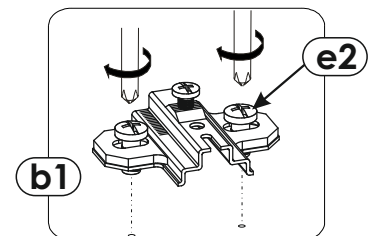
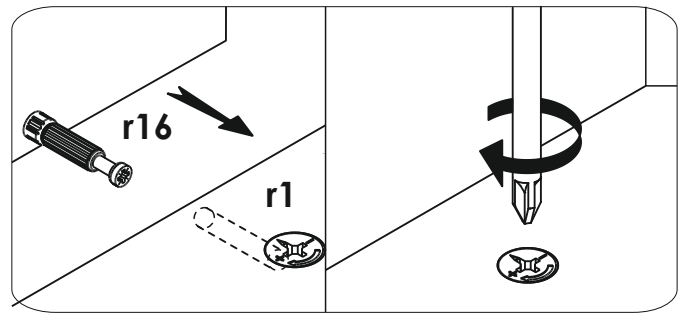
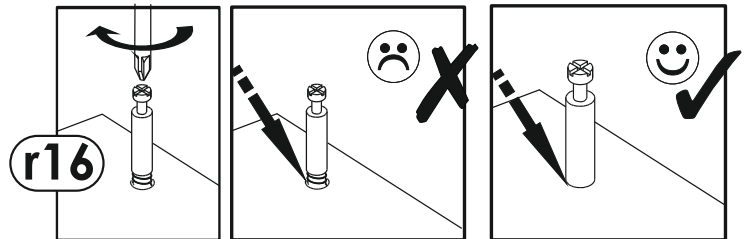
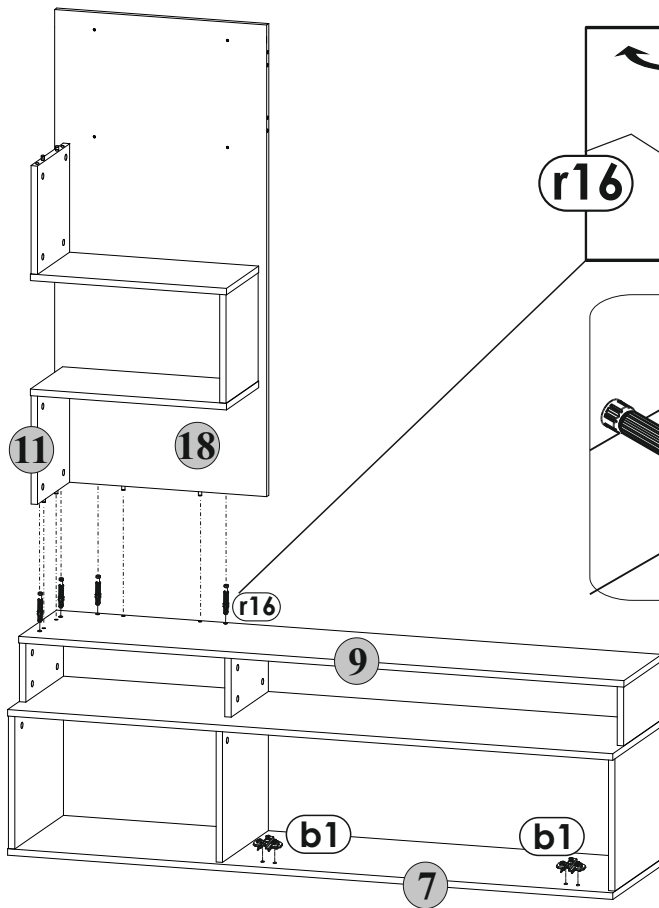


6

7

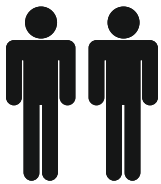
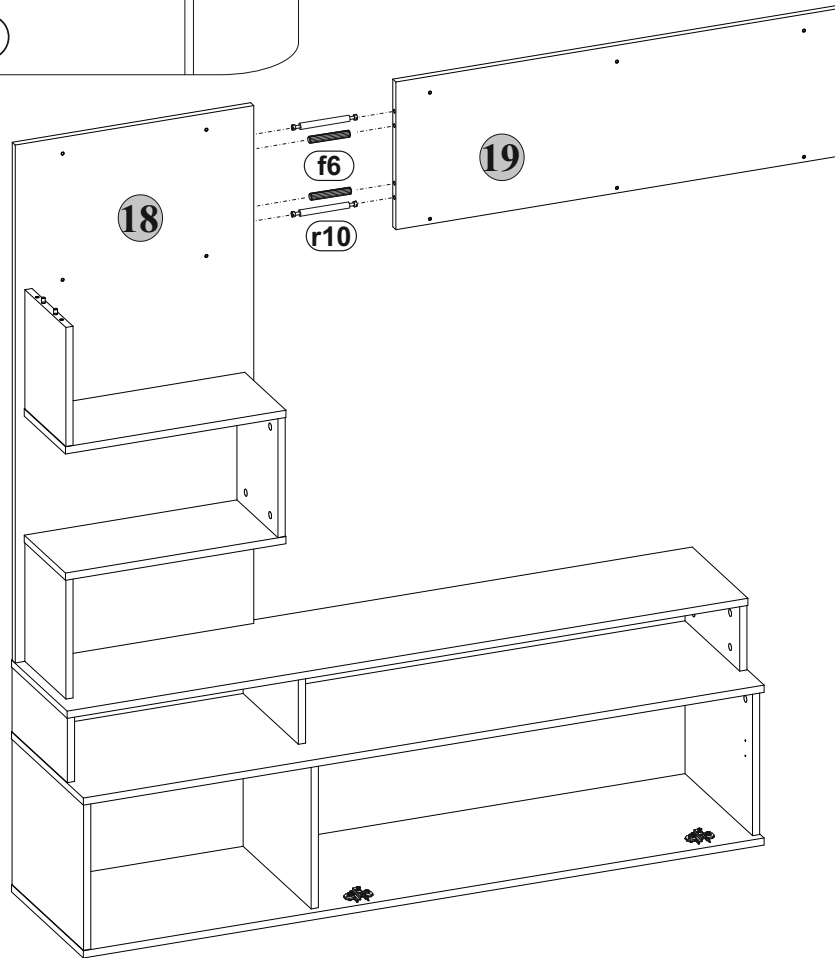
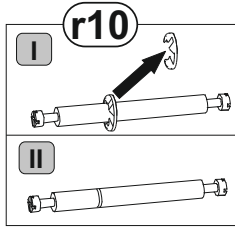
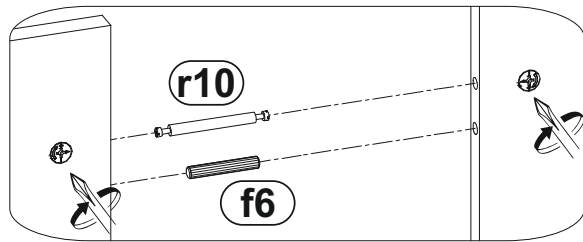


8

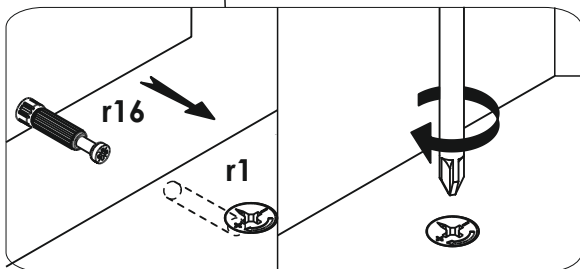
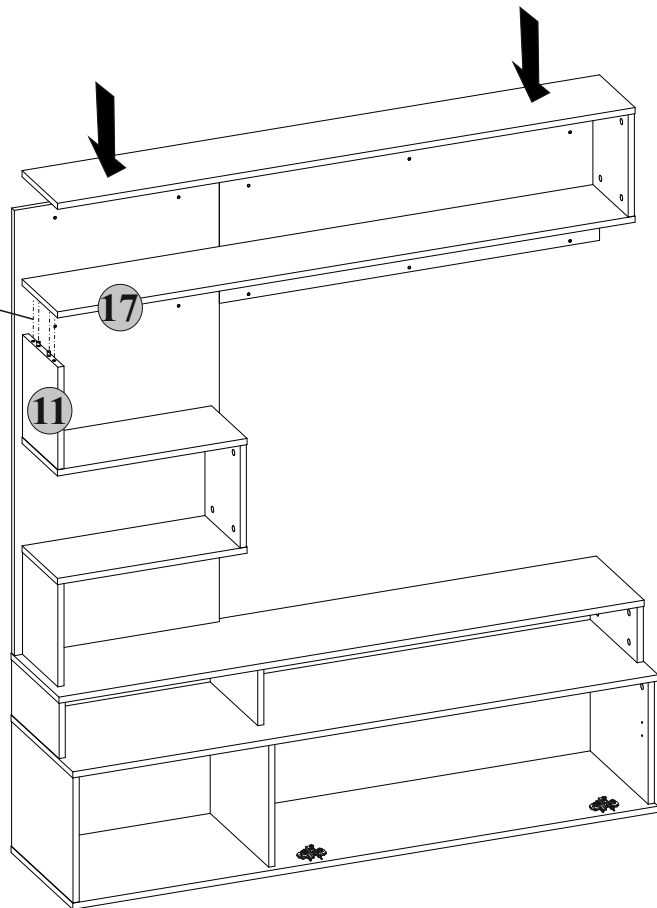


7

9



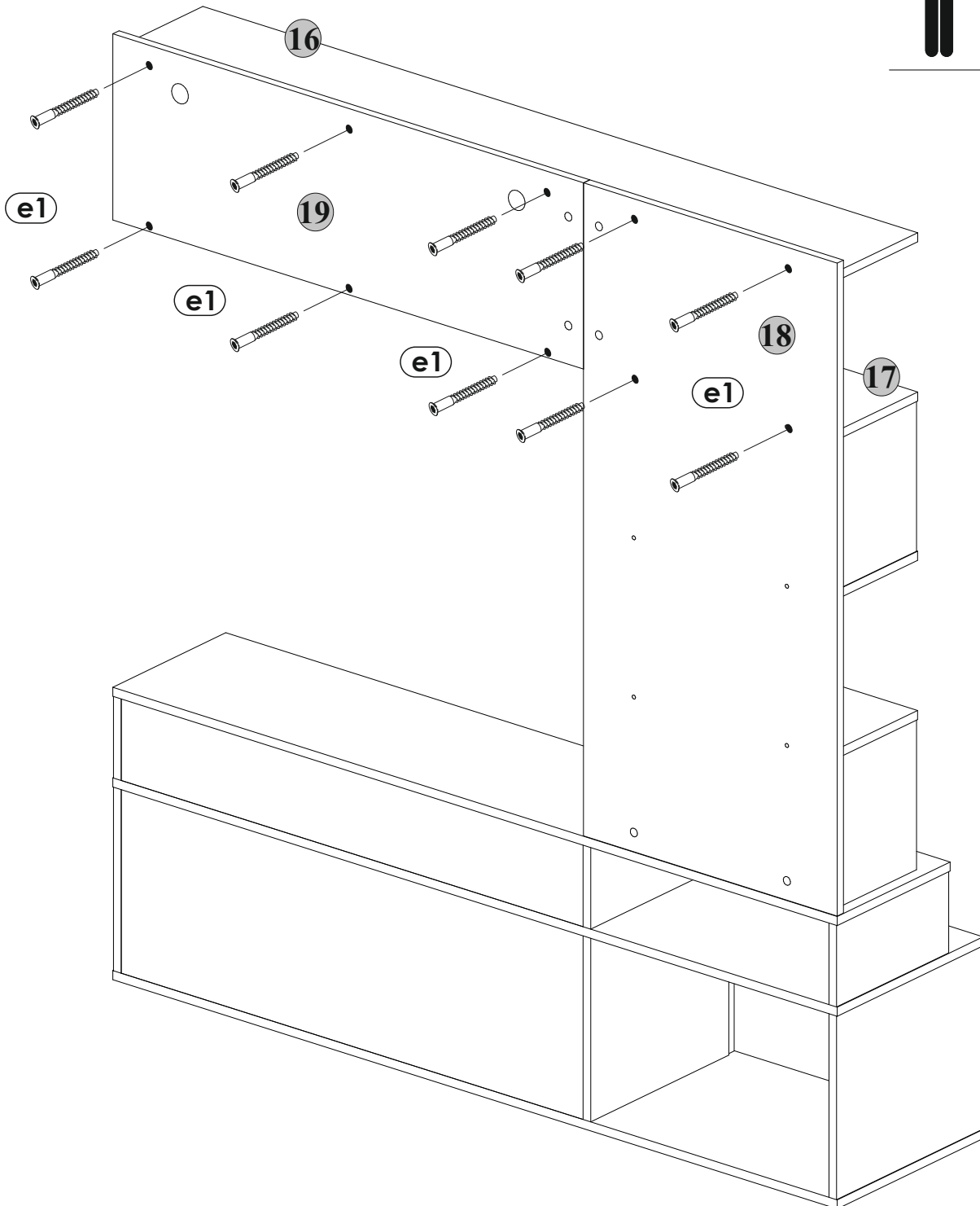
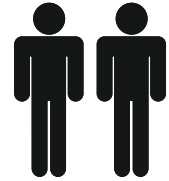
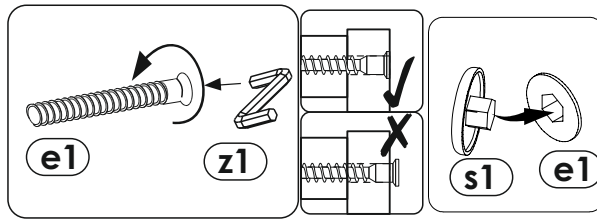
10



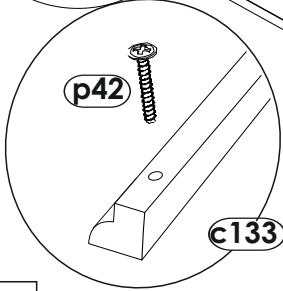
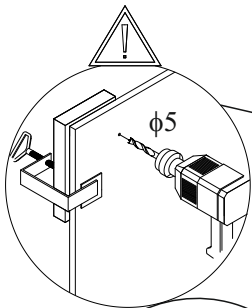
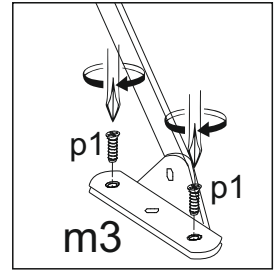
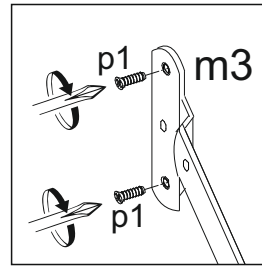
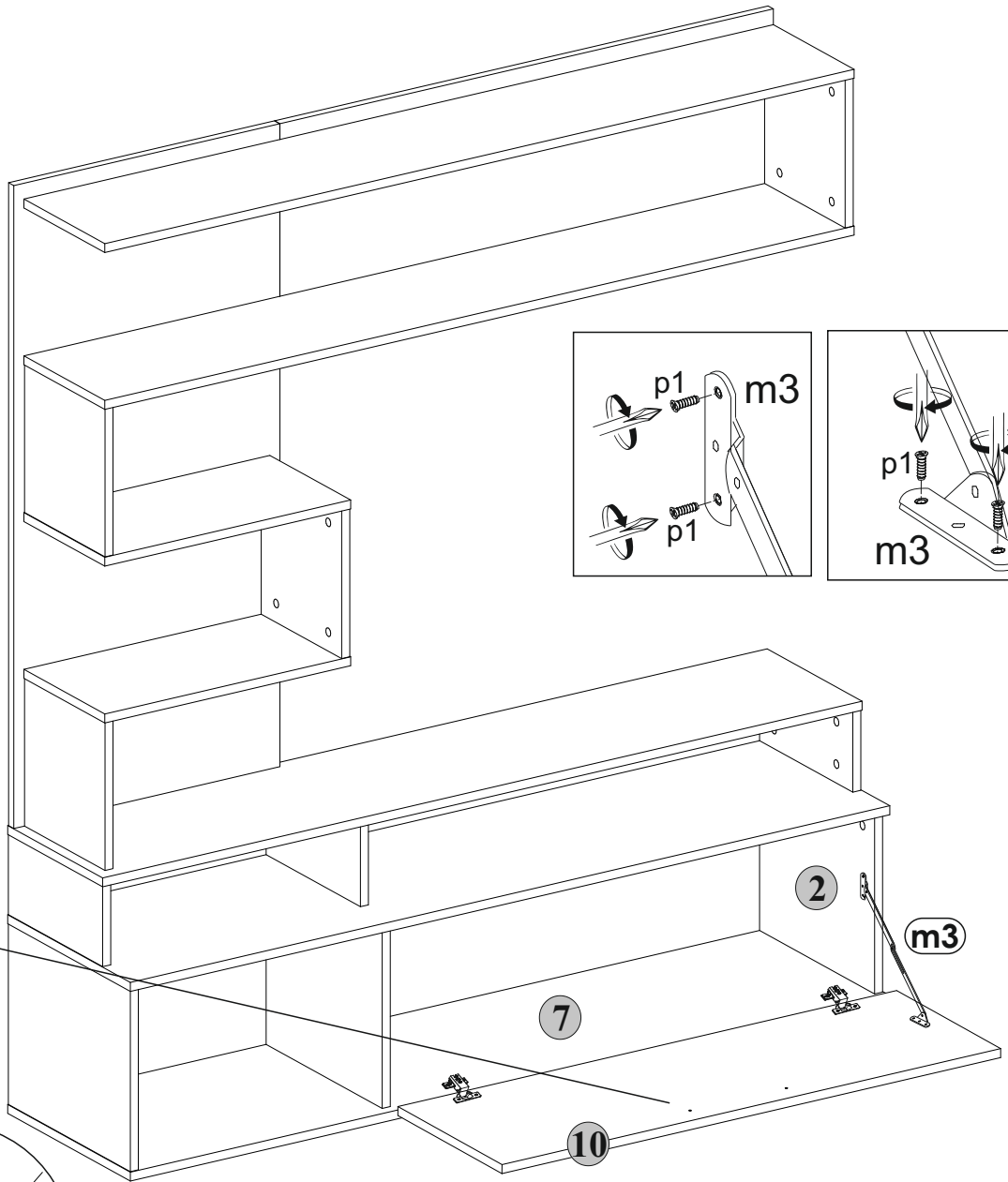
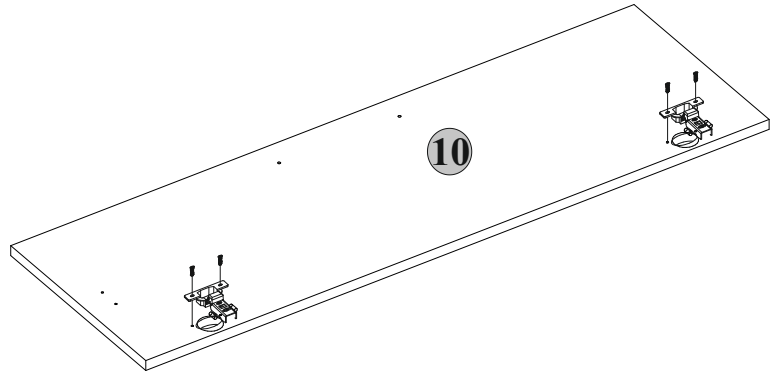
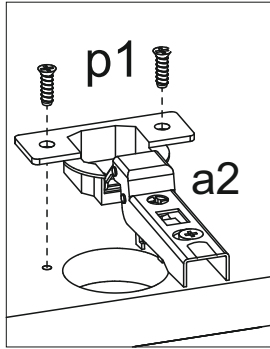
8



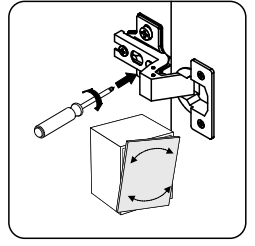
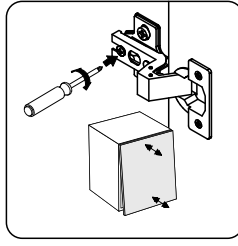
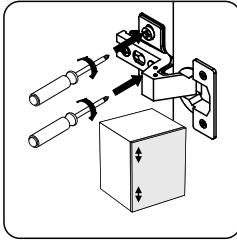
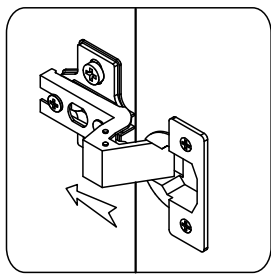
**11**



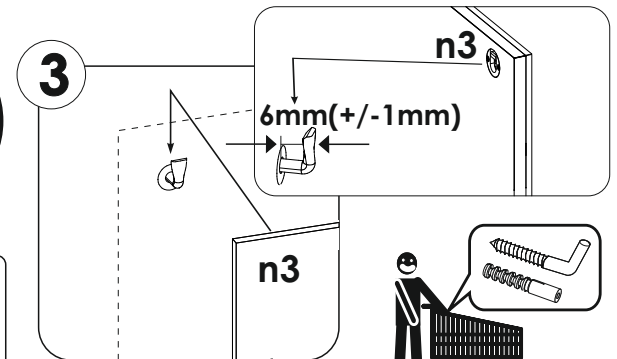
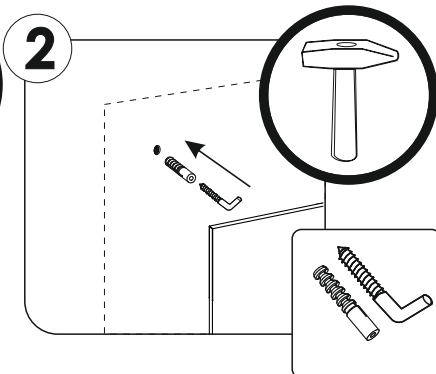
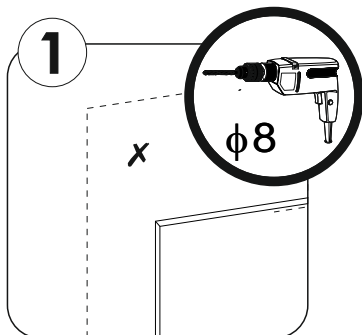
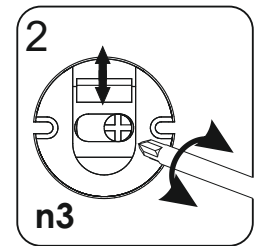
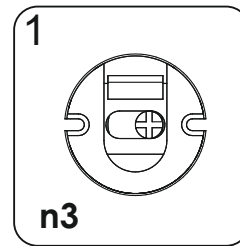
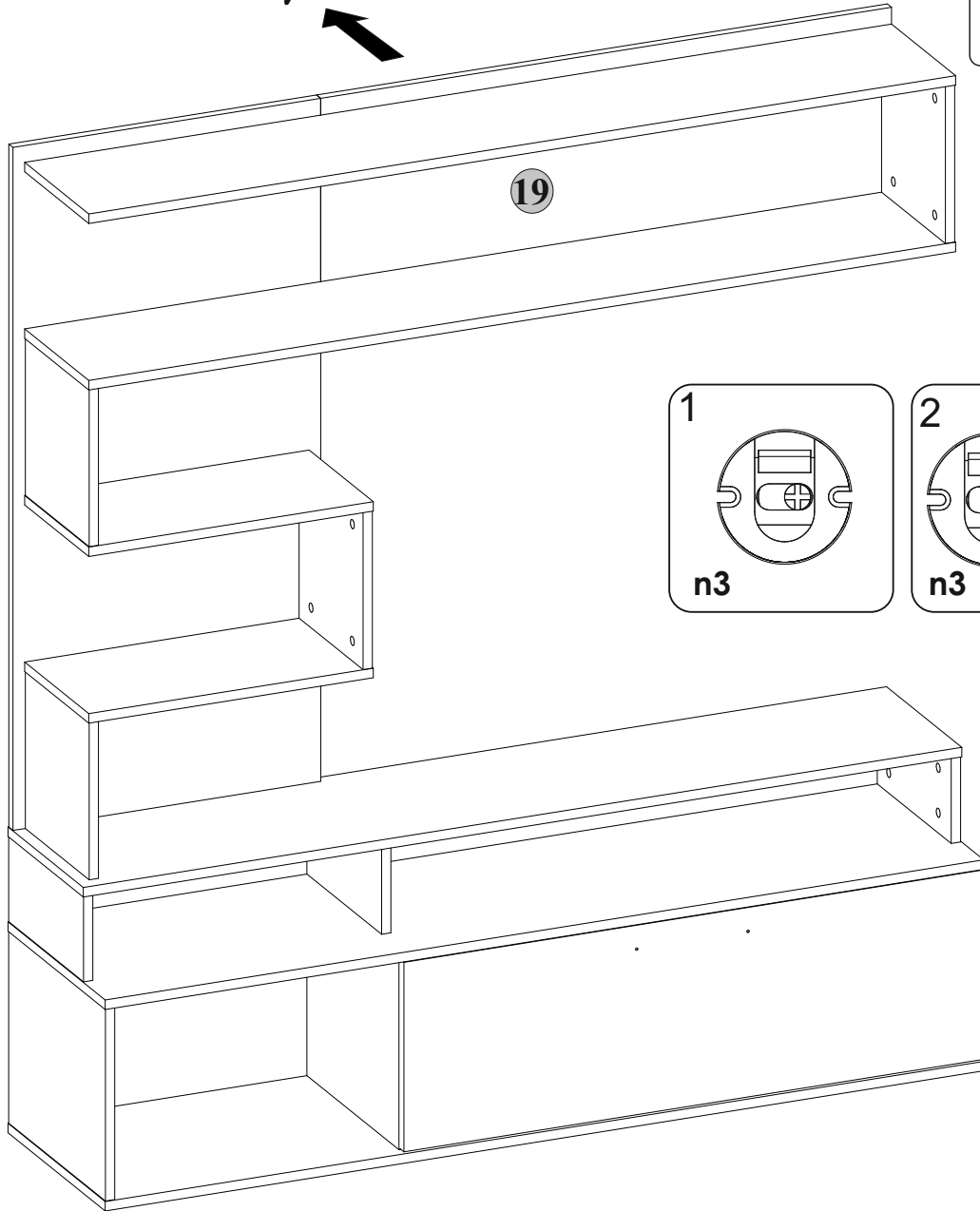
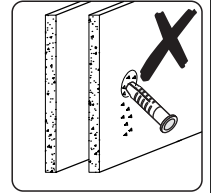
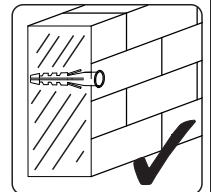
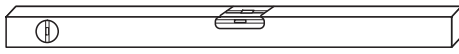
**12**



**10**



**13**



**11**

