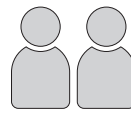


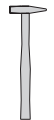
Before starting the assembly need to



2 Person



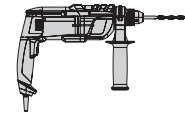
Philips Screwdriver



Hammer



Drill



Hammer Drill

Dear Customer

This product you have purchased has been subjected to all tests and controls by us before it reaches you. However, your product may have been damaged during transportation or shipped incompletely. Therefore, it is useful to check the current product using the manual before starting the installation. If you encounter a missing or faulty object during the check, define the object using the manual and contact our company. Our office will provide you with the object you need as soon as possible. You do not need to return the faulty product to our company.

For a successful installation, please provide the auxiliary tools mentioned above.

Before you start, clean every existing item with a damp cloth.

After cleaning the existing parts, arrange them in a suitable area according to the size. Meanwhile, be careful not to rub against each other while moving the pieces and not to hit the corner parts while arranging them.

During installation, carefully review all steps in the manual.

After the installation process is completed, check the integrity of all connection points.

After the assembly, carry the product as 2 people.

Do not expose your product to direct sunlight. Keep away from hot and humid environments. Position your product appropriately considering these issues. In addition, do not load the product with heavy loads that may cause stretching and do not use it outside of its purpose.

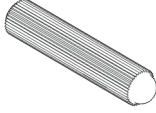

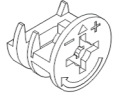
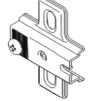
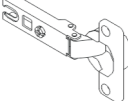


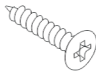

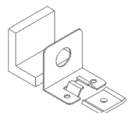
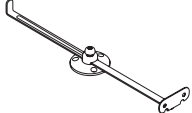
You can contact our company about the topics you are curious about.

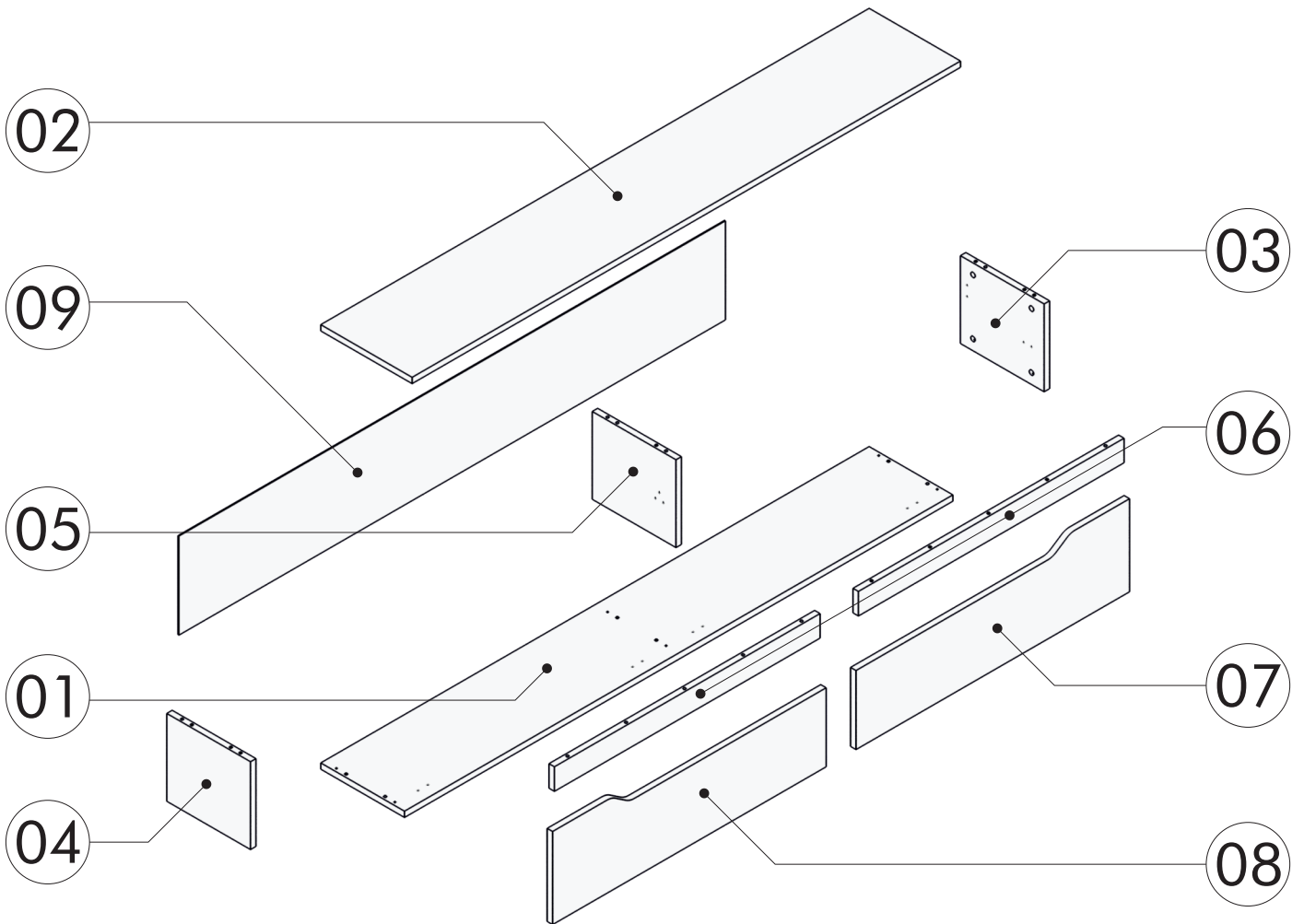
ASSEMBLY

LIST OF PART

LIST OF ACCESSORY

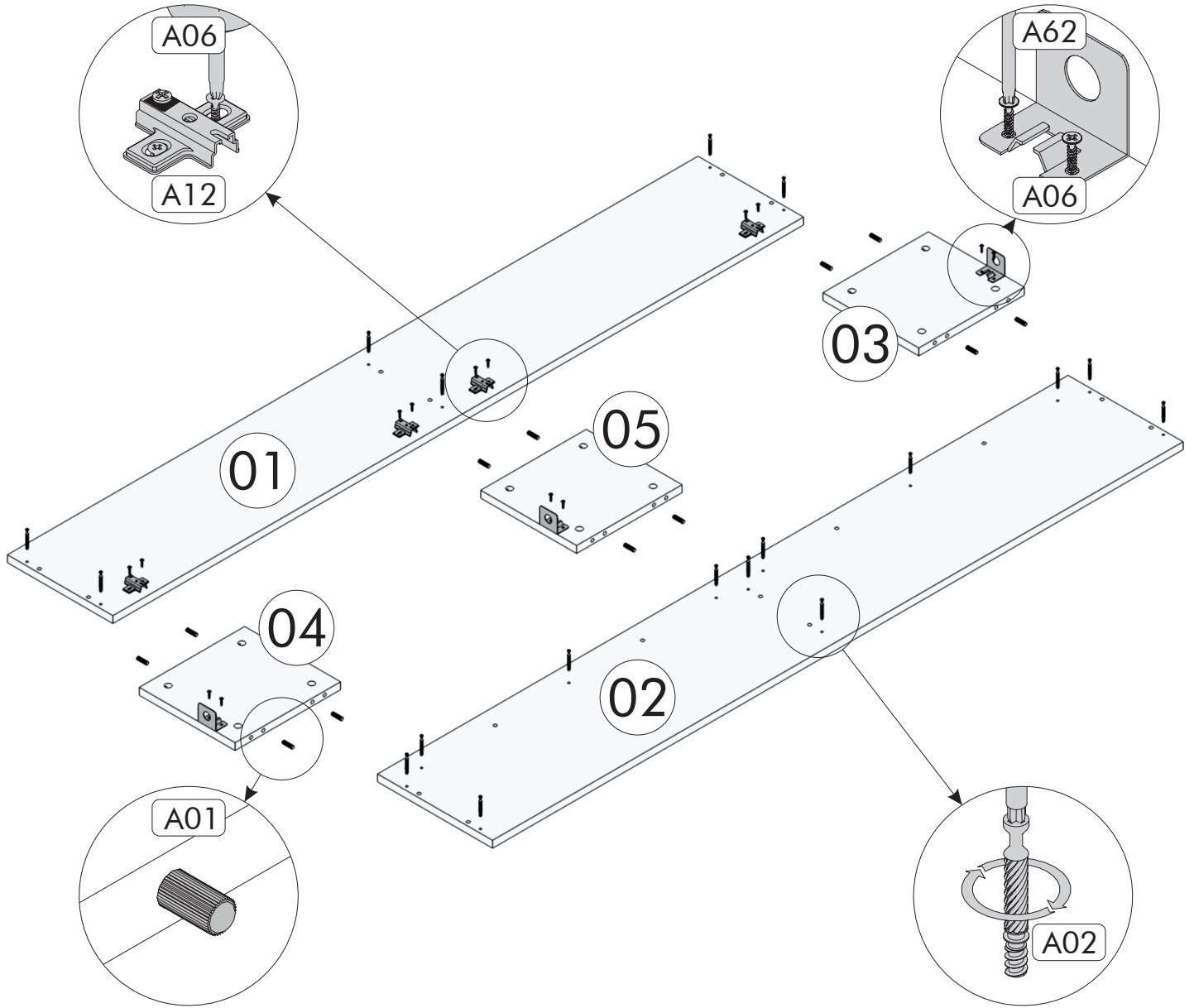
Code	Dimension	Pieces
1	1799 x 275 x 18	1
2	1799 x 300 x 18	1
3	275 x 250 x 18	1
4	275 x 250 x 18	1
5	275 x 250 x 18	1
6	872 x 70 x 18	2
7	897 x 264 x 18	1
8	897 x 264 x 18	1
9	1794 x 282 x 3	1

	x16		x18		x18
A01	Kavela	A02	Dişli Mil	A03	Gövde
	x4		x4		x40
A12	Menteşe Tabanı	A13	Menteşe Düz	A05	Arkalık Çivisi
	x3		x42		x3
A17	5x70	A06	3,5x18	A18	Duvar Dubeli
	x3		x4		
A62	Askı Elemanı	A49	Kapak Makası		

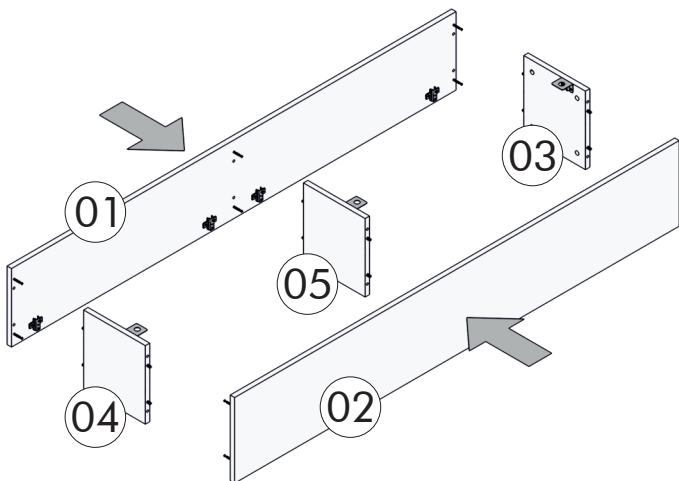


ASSEMBLY

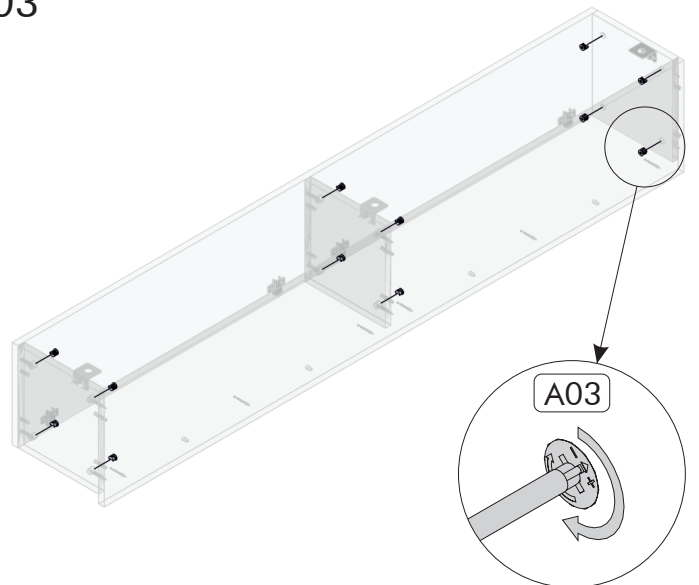
01



02

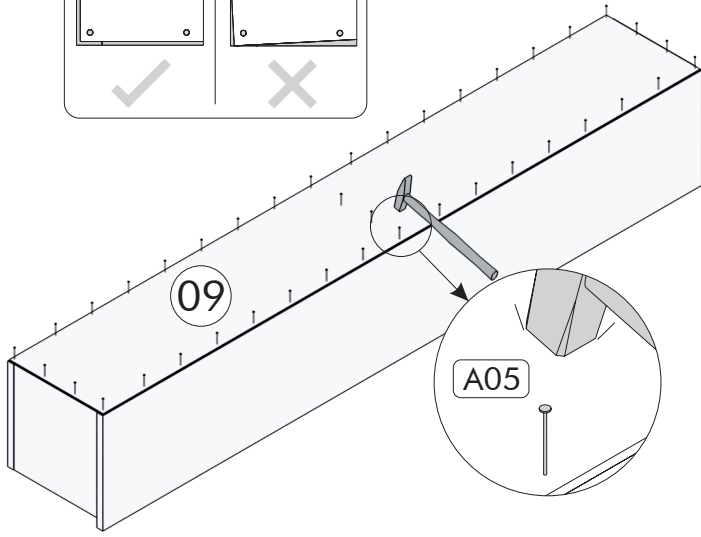
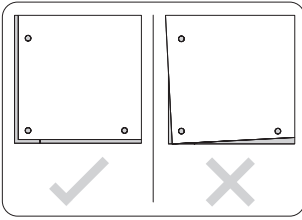


03

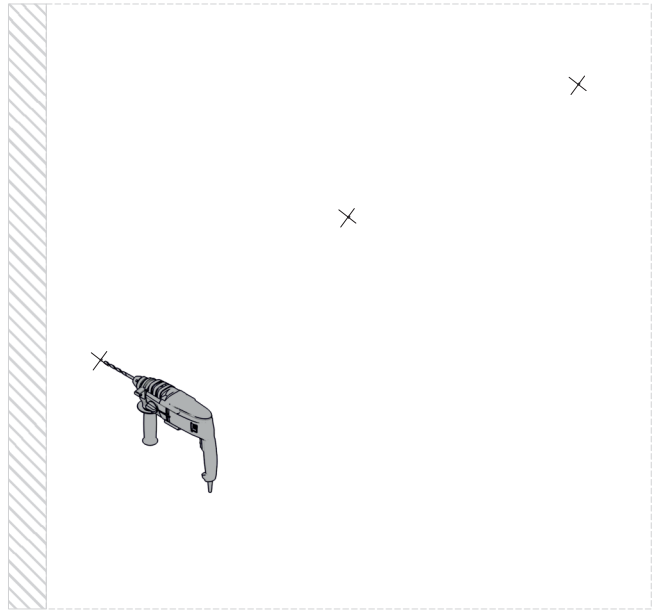


ASSEMBLY

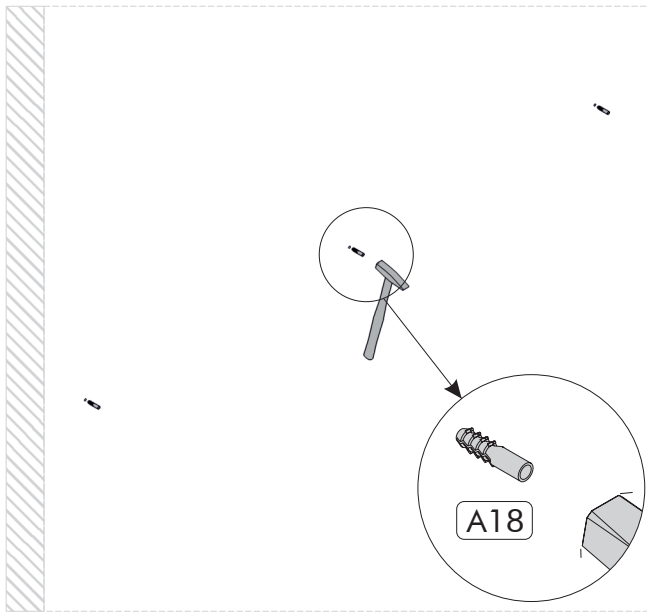
04



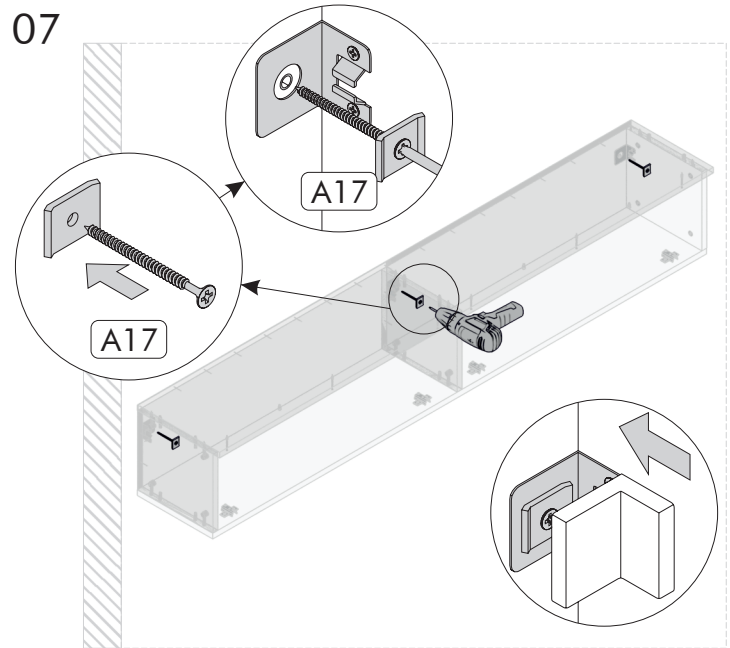
05



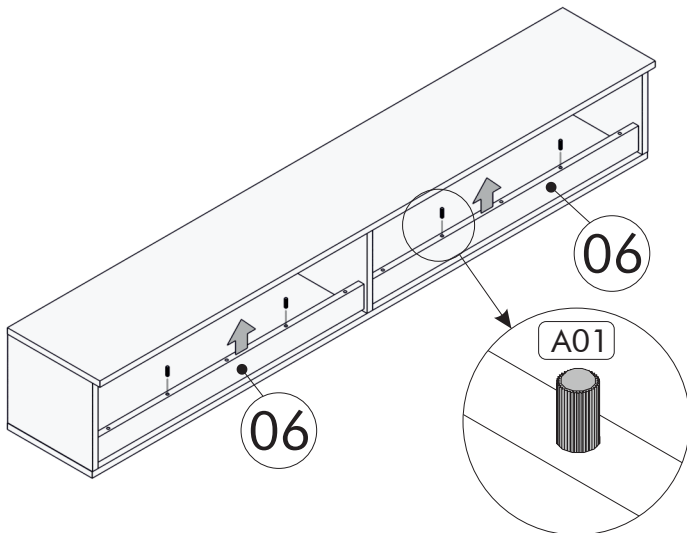
06



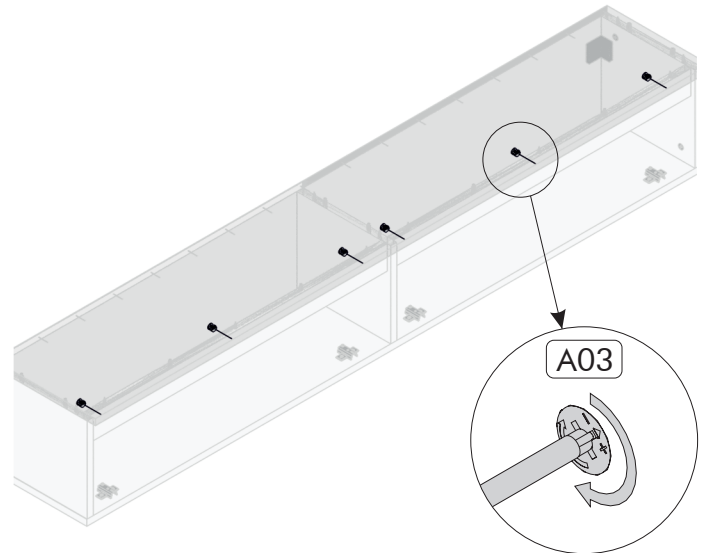
07



08

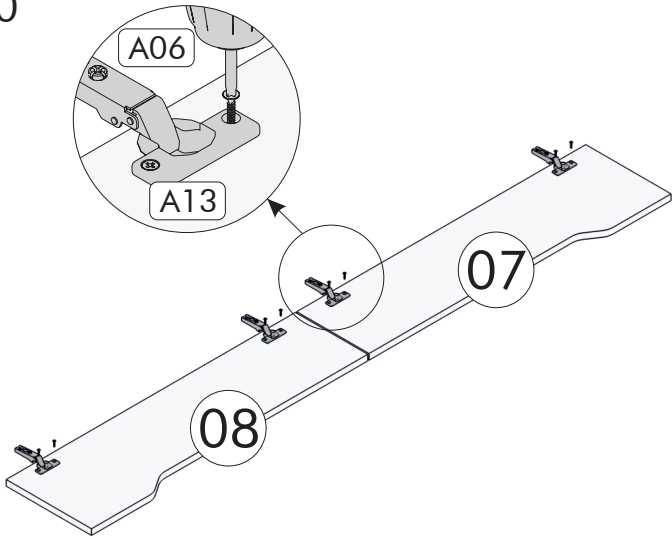


09

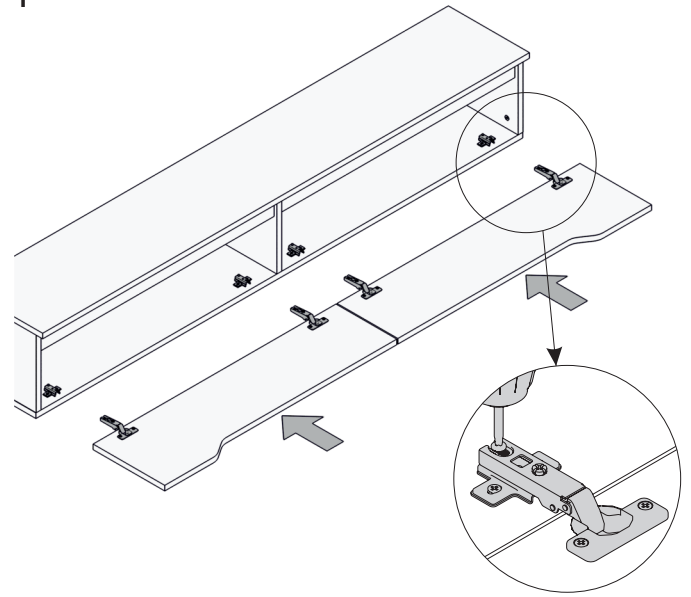


ASSEMBLY

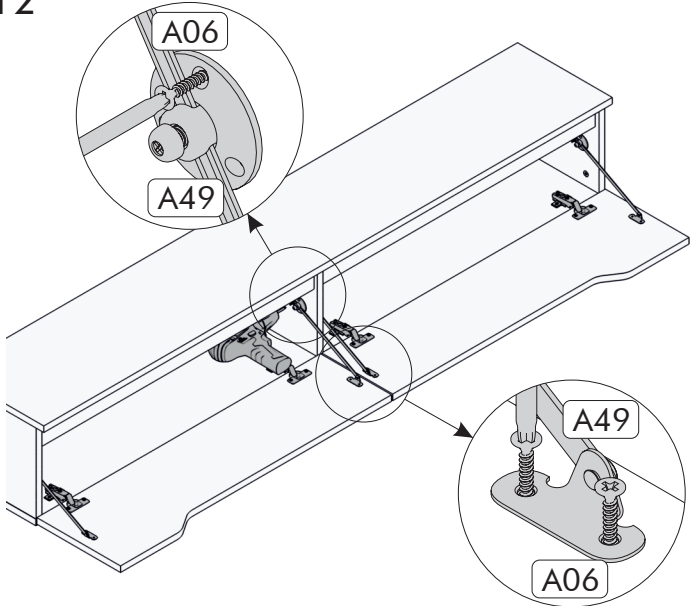
10



11



12



13

DOOR SETTINGS

