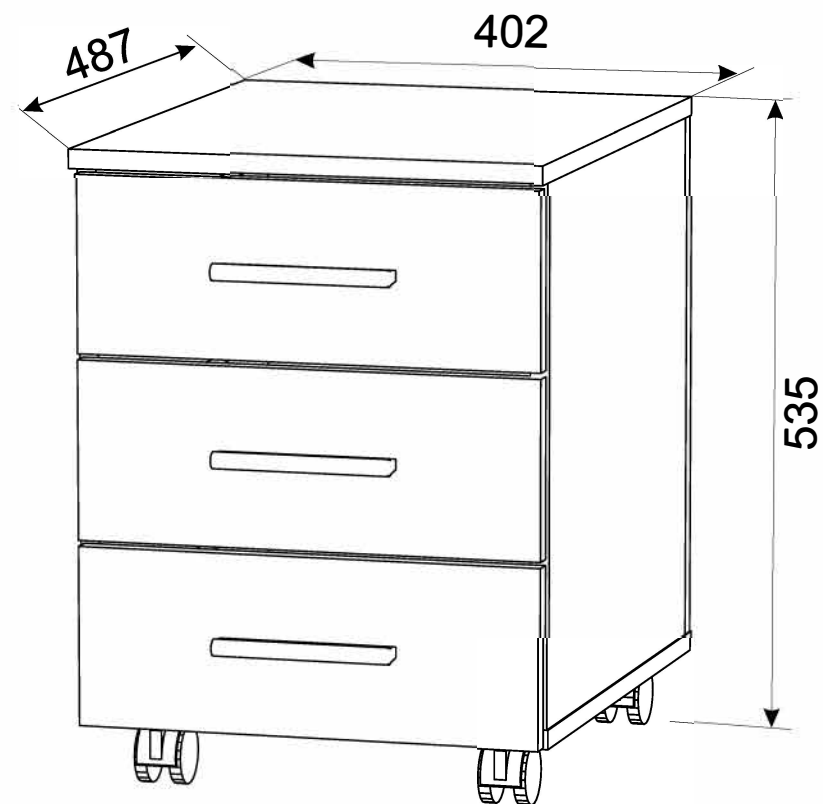
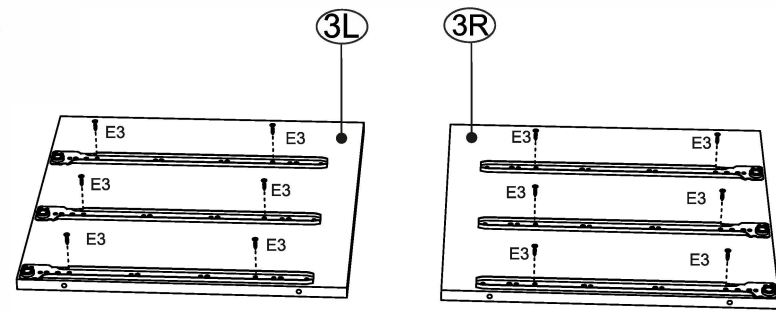
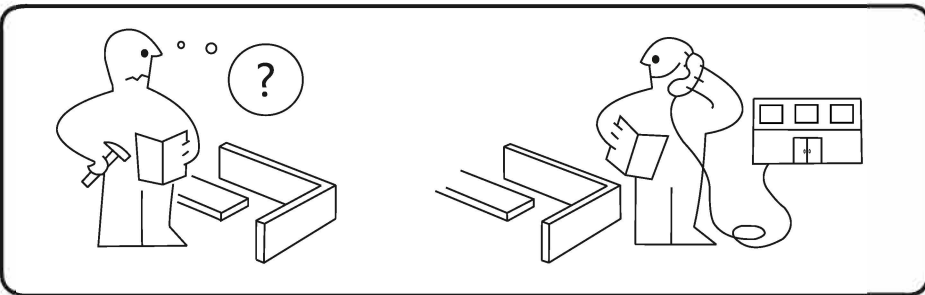
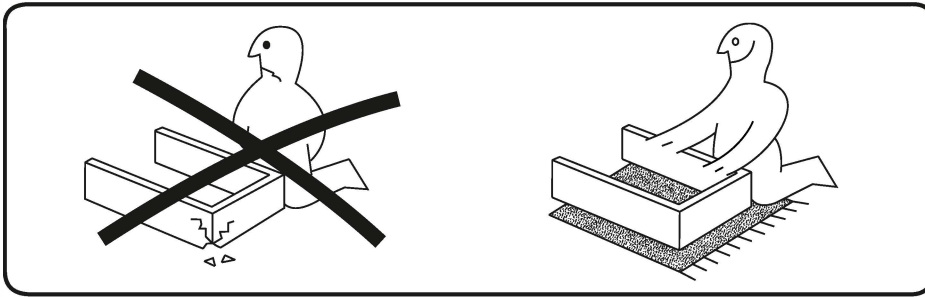
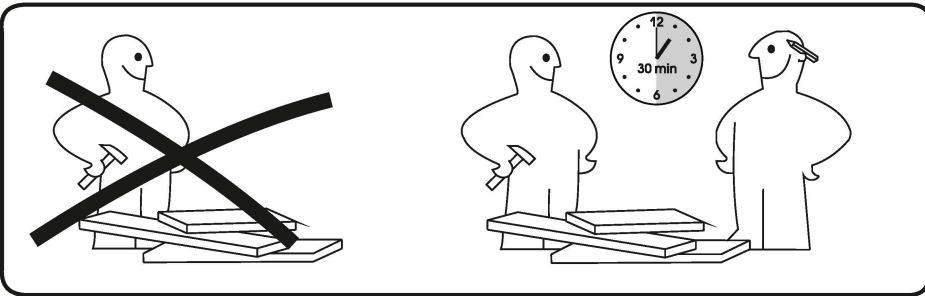
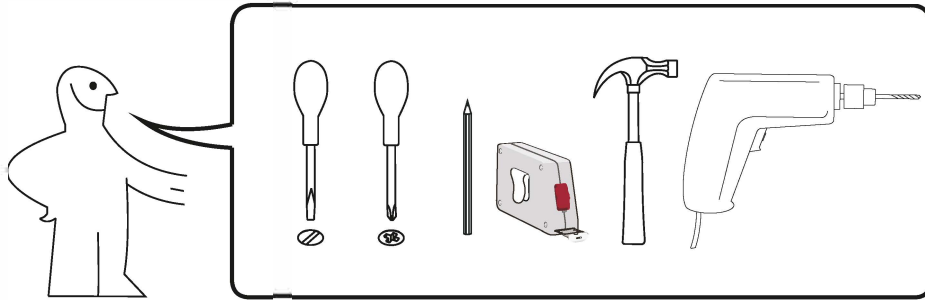


ENG



20x ø 8x30 A1	1x R	56x ø 3.5x16 mm E3
10x ø 6,4x50mm B1	3x H1	3x a b L=400 mm M3
8x E10	36x Q	4x K6
6x ø 4x35 mm N3	6x U	

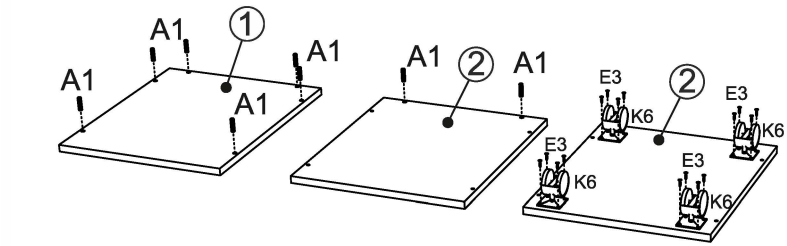
No	axb	x	No...→
1	487x402	1	1/1
2	467x402	1	1/1
3L 3R	450x450	1+1	1/1
4	400x90	6	1/1
5	310x90	3	1/1
6	394x150	3	1/1
7	450x400	1	1/1
8	404x342	3	1/1



**1**

**3x**  
a b  
400 mm M3

**12x**  
 **E3**  
ø 3.5x16 mm

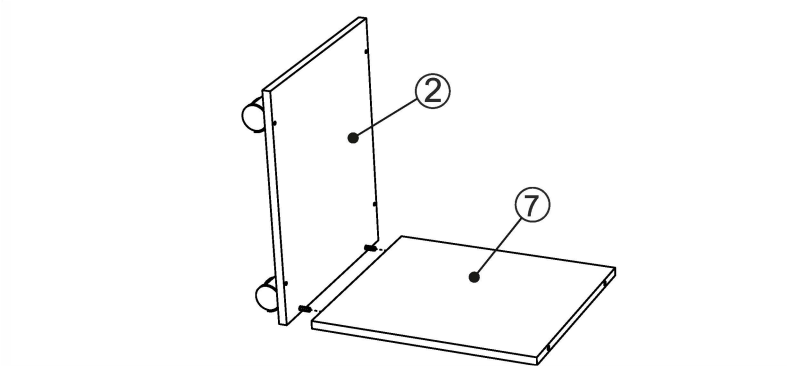
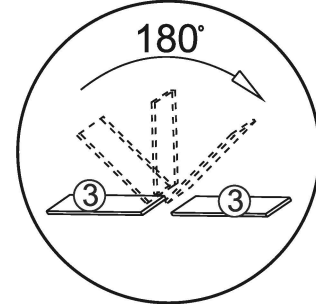


**2**

**8x**  
ø 8x30 **A1**

**16x**  
ø 3.5x16 mm **E3**

**4x**  
 **K6**

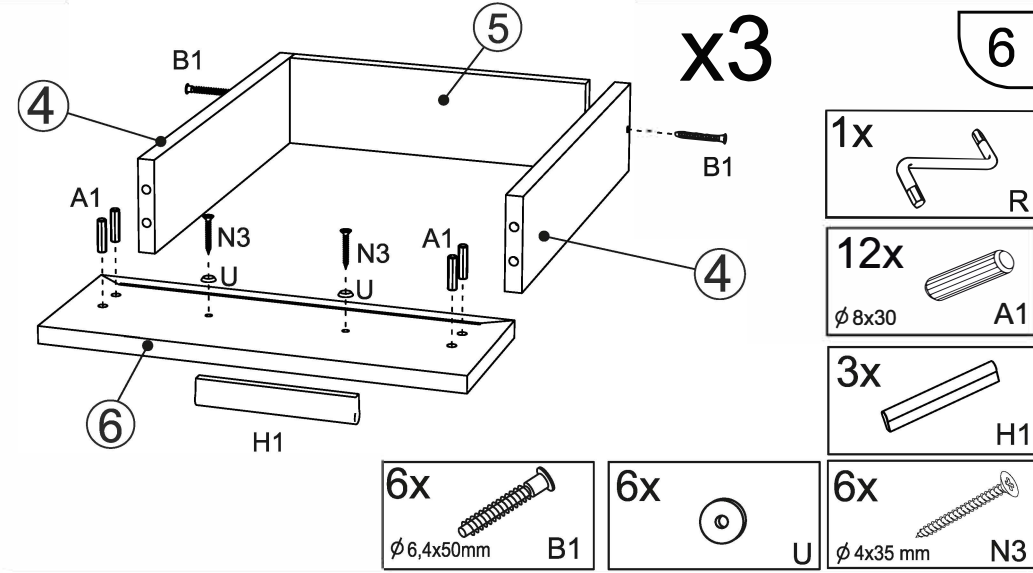
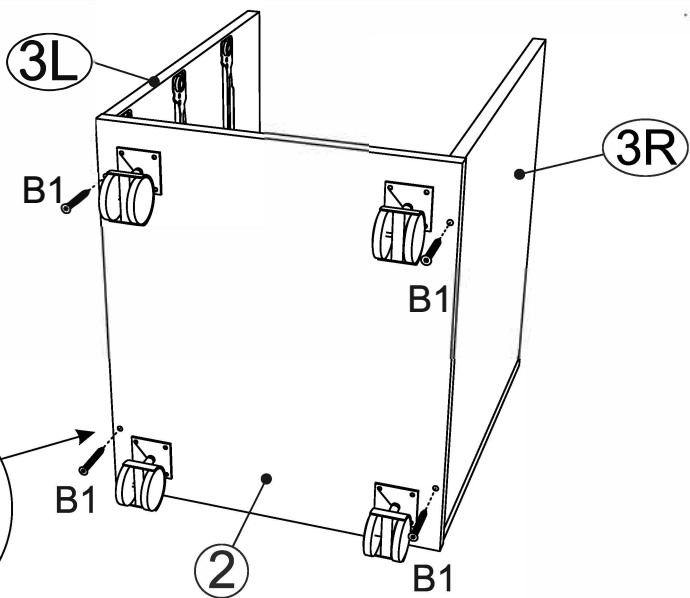
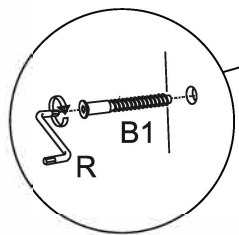


**3**

4

4x  
ø6,4x50mm B1

1x  
R



6

1x  
R

12x  
ø8x30 A1

3x  
H1

6x  
ø6,4x50mm B1

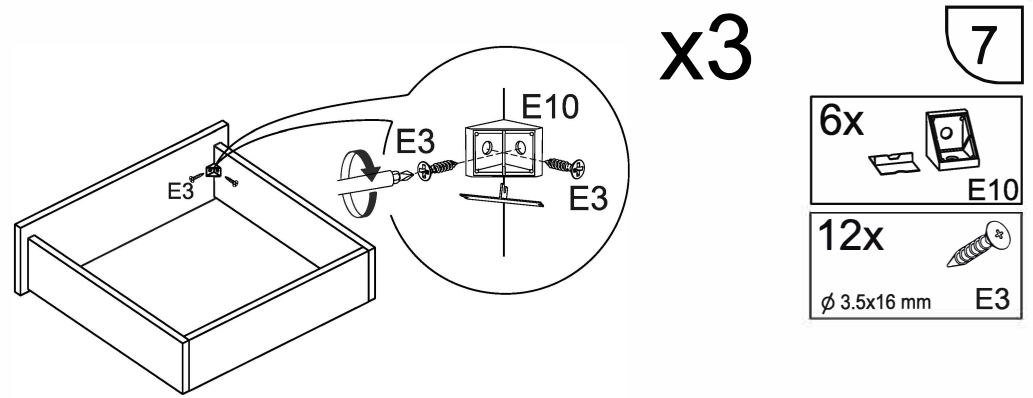
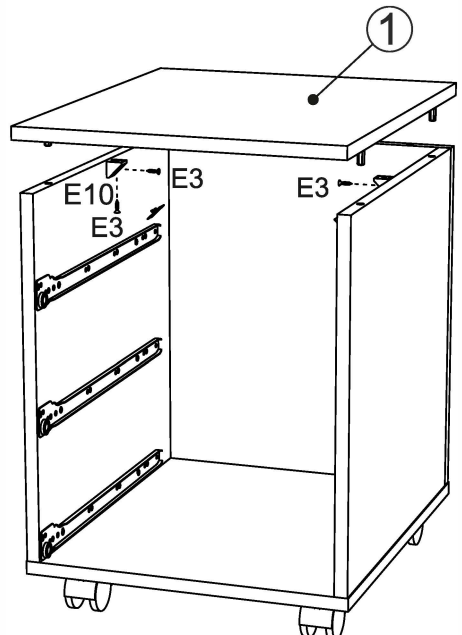
6x  
U

6x  
ø4x35 mm N3

5

2x  
E10

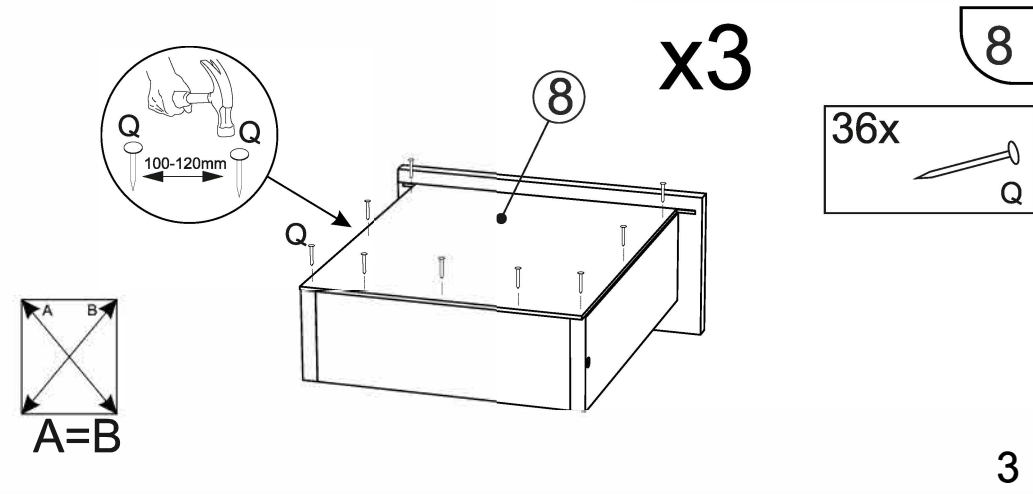
4x  
ø 3.5x16 mm E3



7

6x  
E10

12x  
ø 3.5x16 mm E3



8

36x  
Q

9

3x  
a b  
400 mm M3

12x  
E3  
ø 3.5x16 mm

