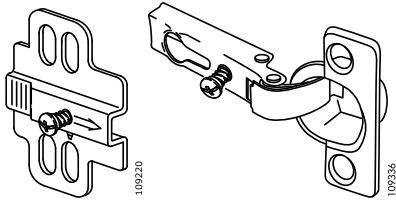
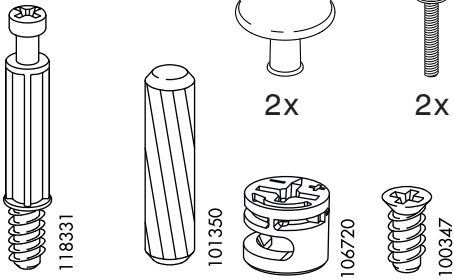


Produced In Turkey



6x

6x



10x

10x

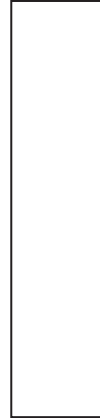
10x

24x

20x

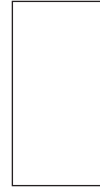
12x

3mm Arka panel



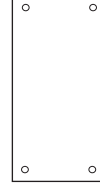
2x

Raf/Shelf

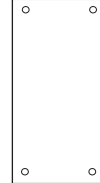


4x

Alt/Down

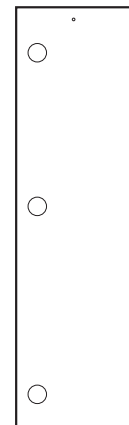
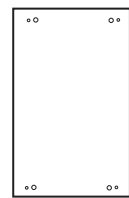


Ara Raf



1x

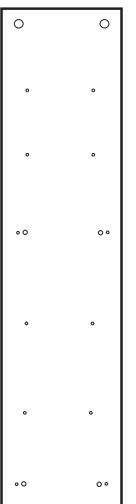
Top/üst



Kapak/Front Cover

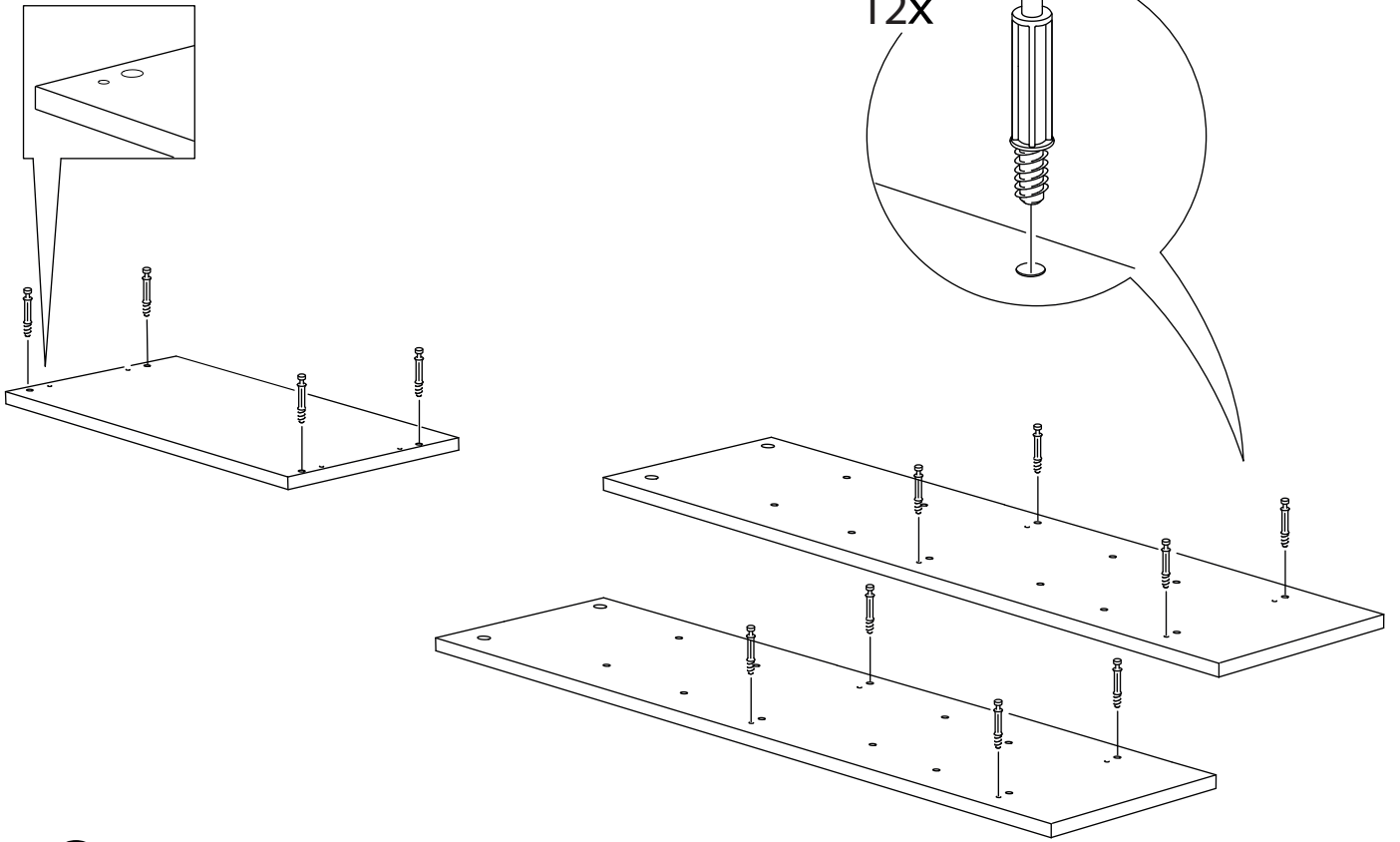
2x

Side/Yan

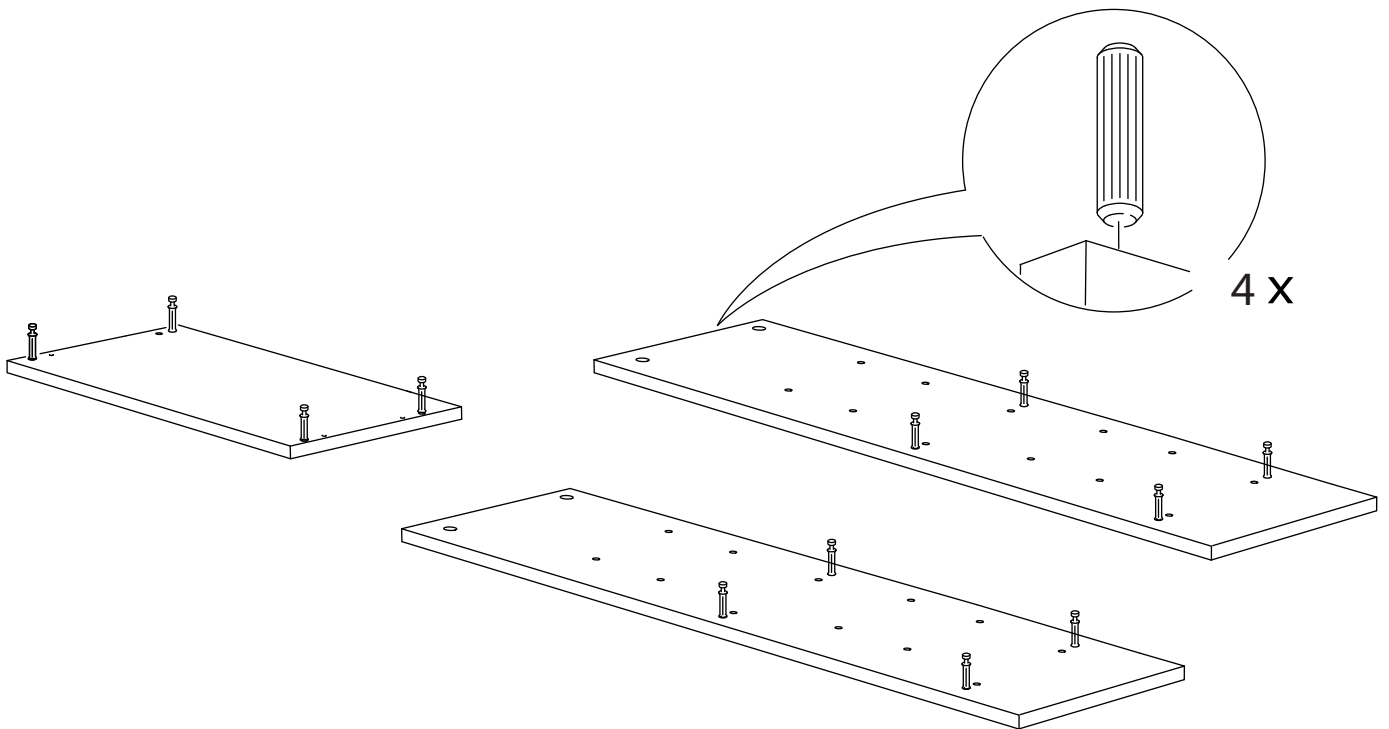


2x

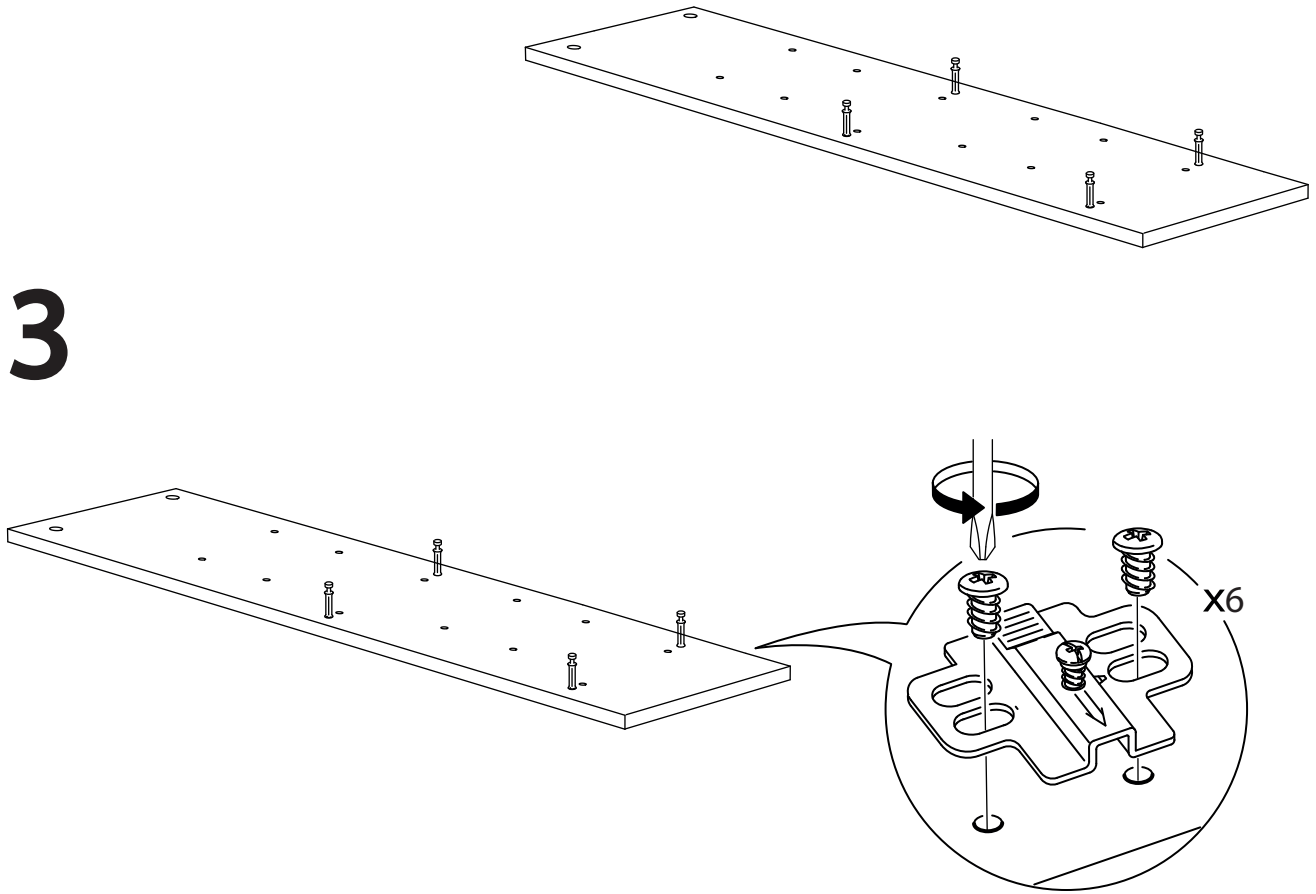
1



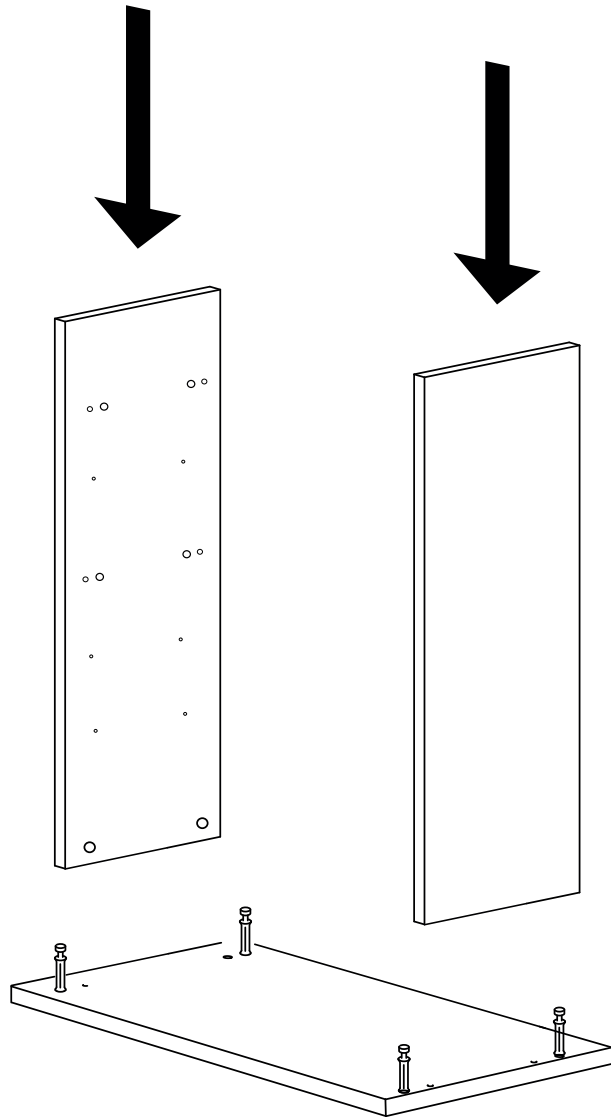
2



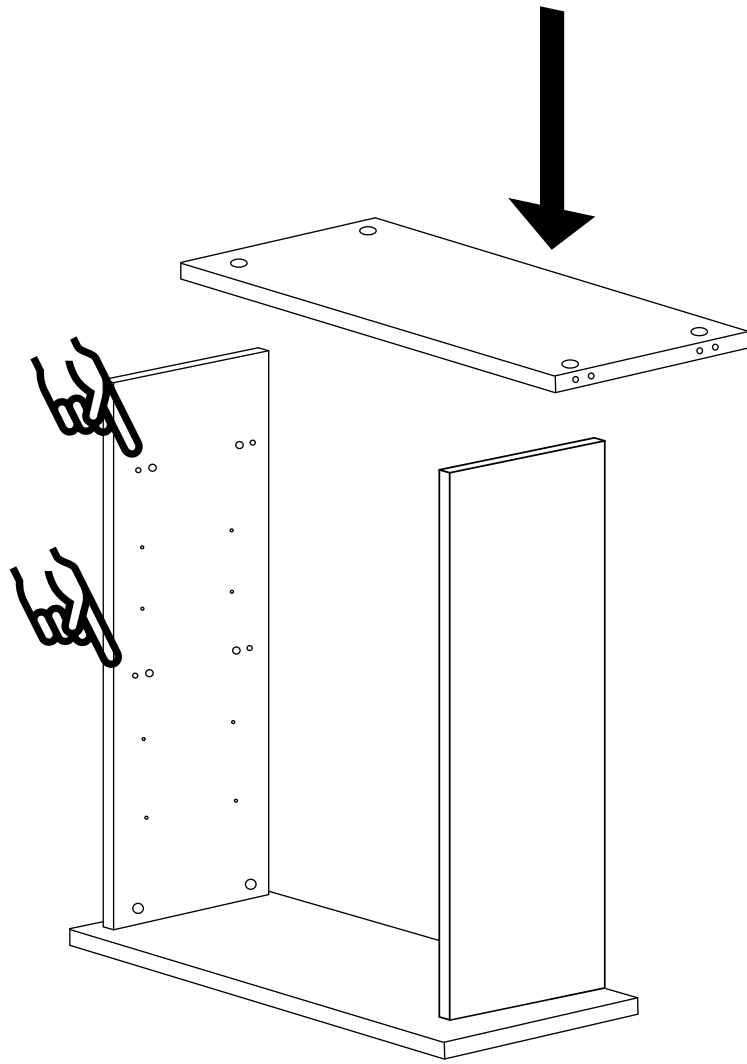
3



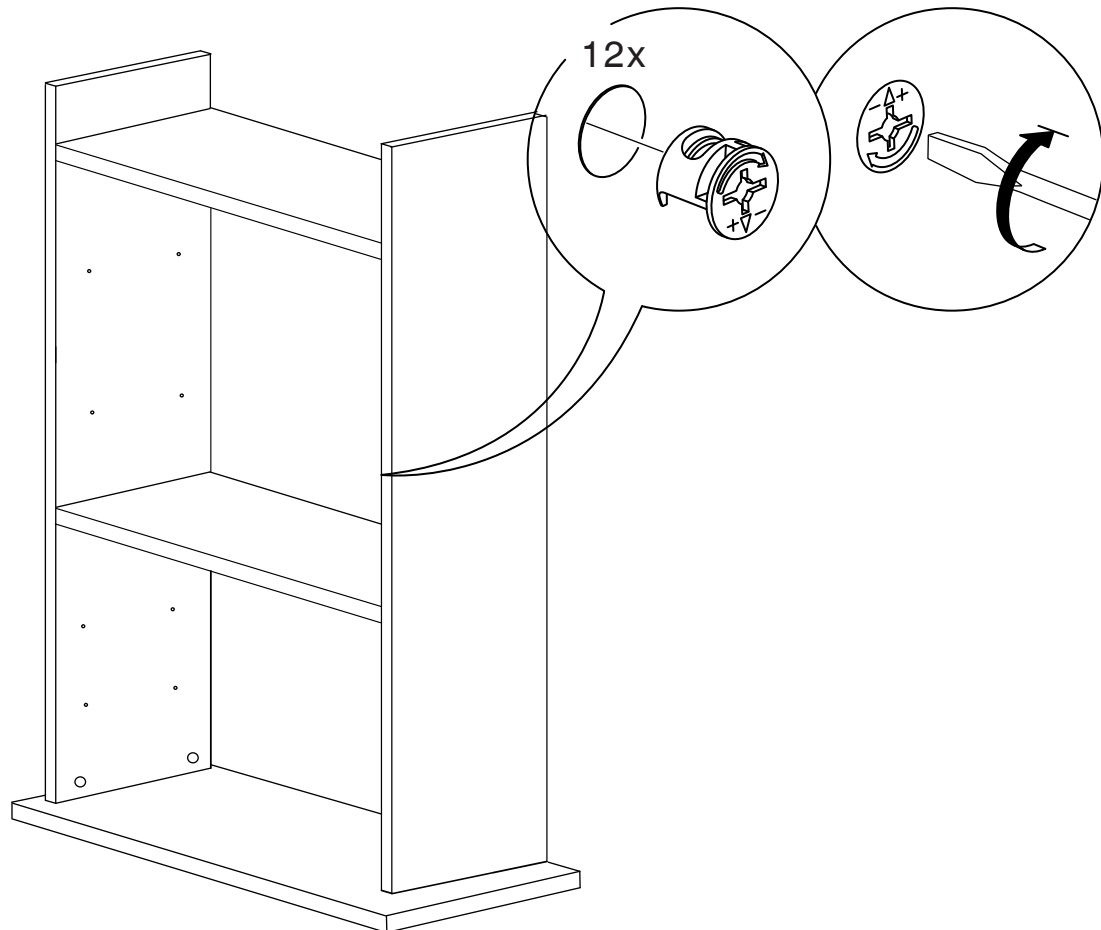
4



5



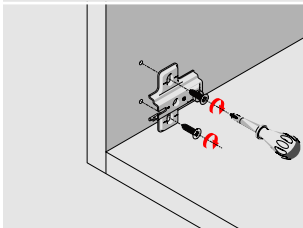
6



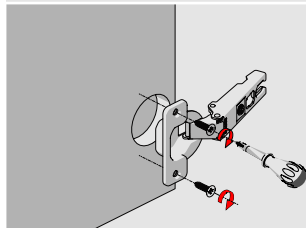
Base and Hinge Assembly

Screw on the hinge base.

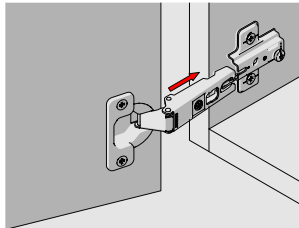
1



2



Insert the star hinge body into the lower groove 3.



Complete the assembly by tightening the fixing screw.

4

