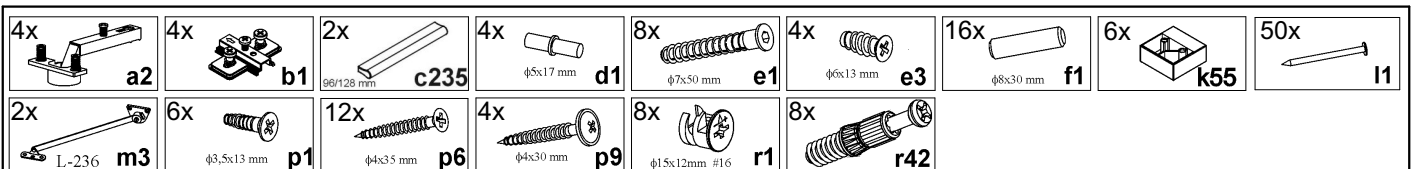
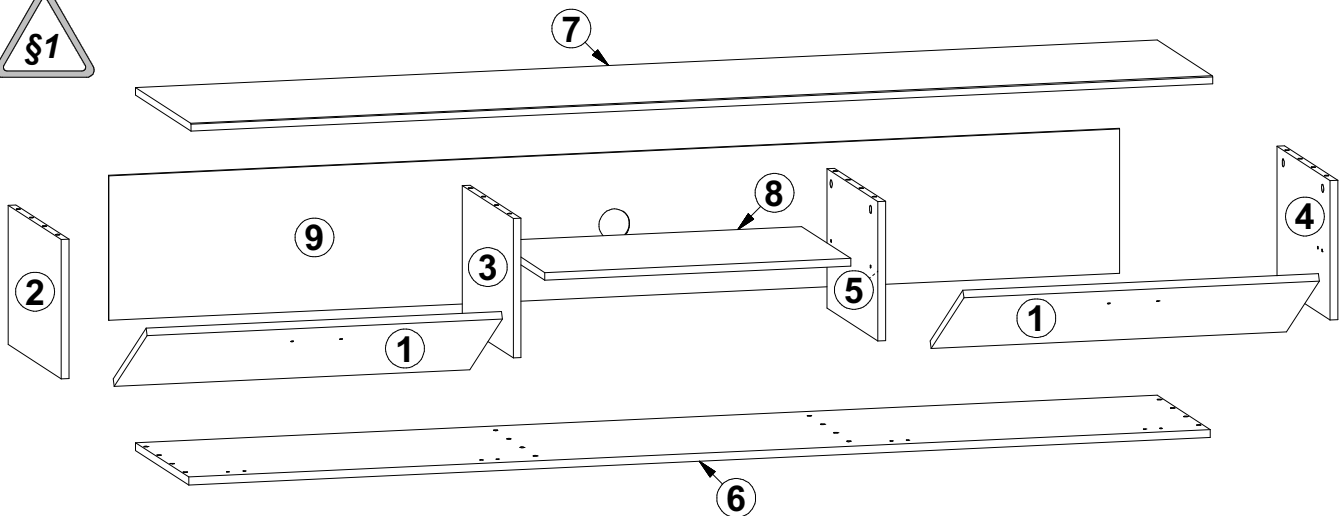
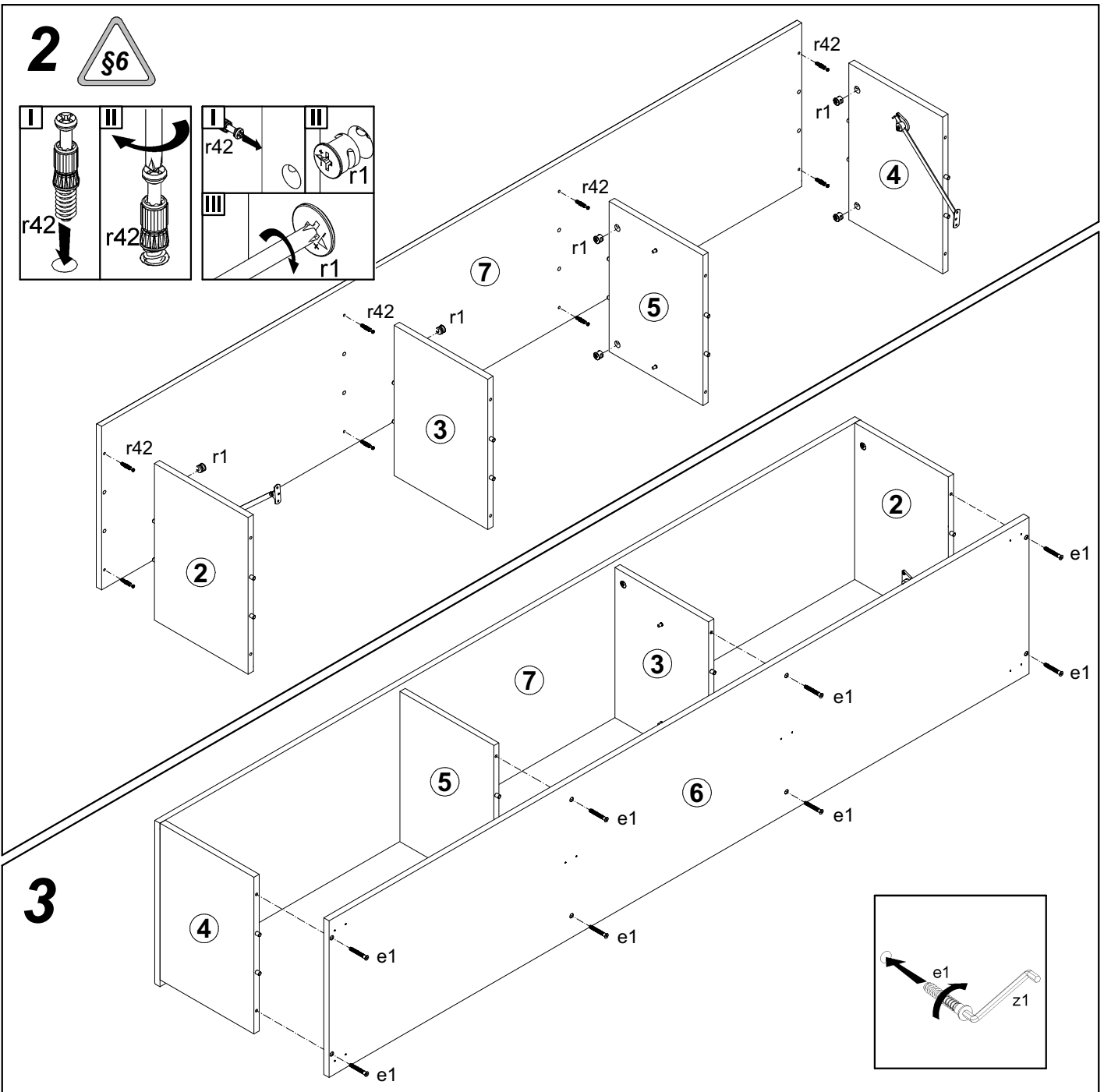
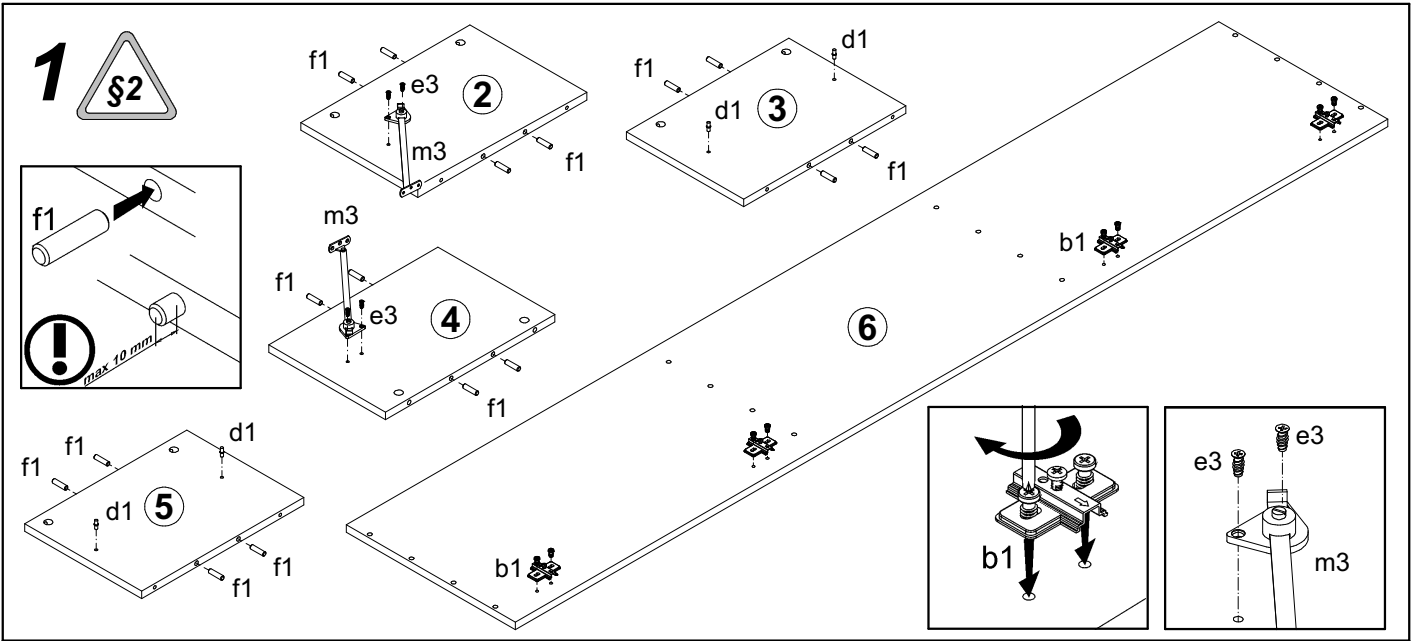
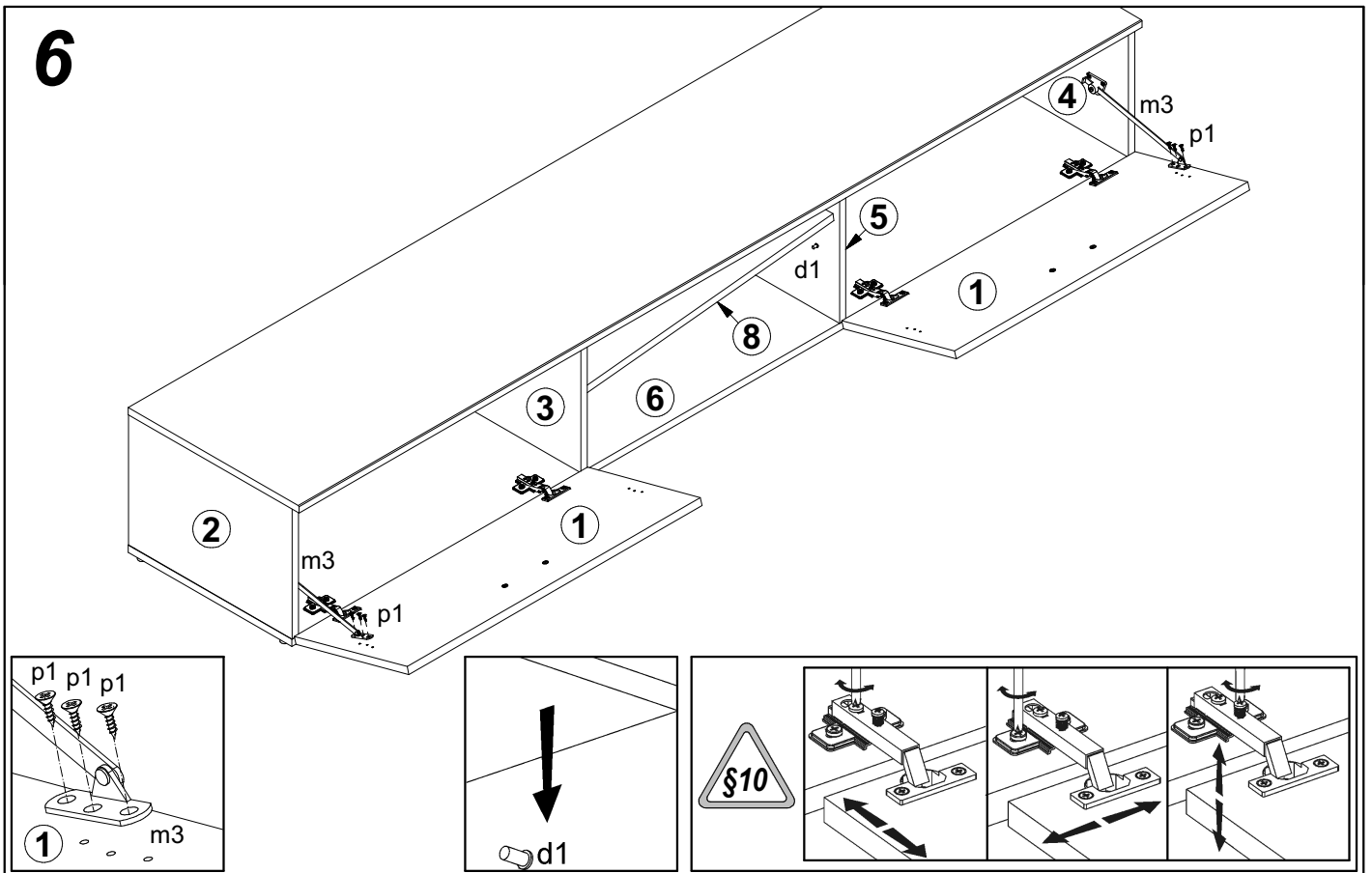
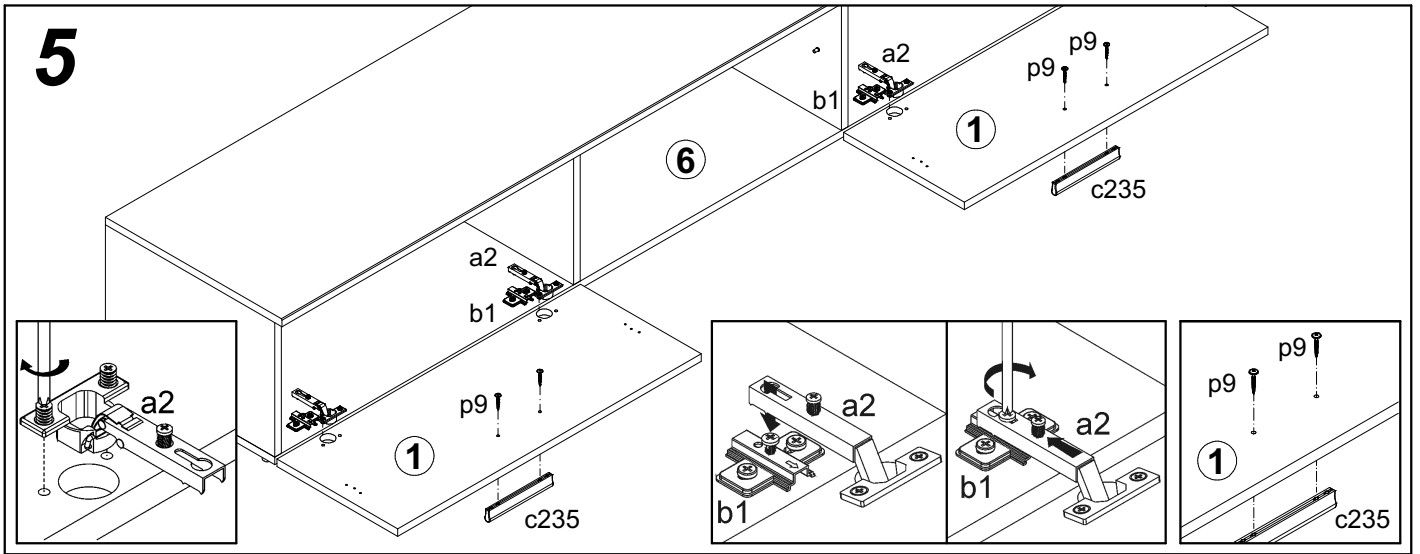
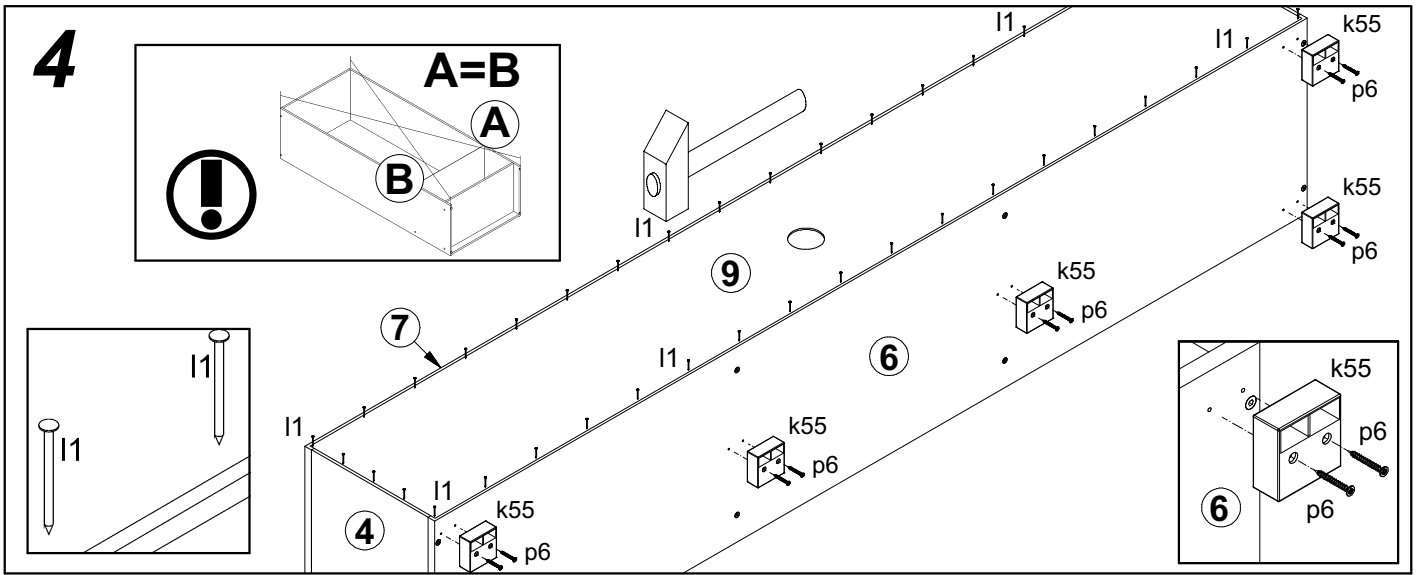


A	B	C	D	A	B	C	D		
1	M97-002	696	277	2/2	6	M97-203	2000	388	1/2
2	M97-104	268	388	1/2	7	M97-204	2000	405	1/2
3	M97-105	268	388	1/2	8	M97-303	595	376	1/2
4	M97-106	268	388	1/2	9	M97-903	1995	293	1/2
5	M97-107	268	388	1/2					

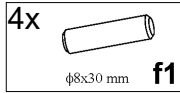
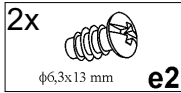
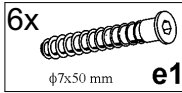
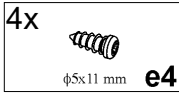
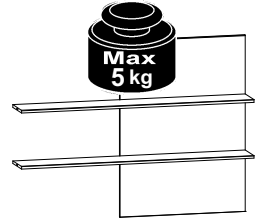
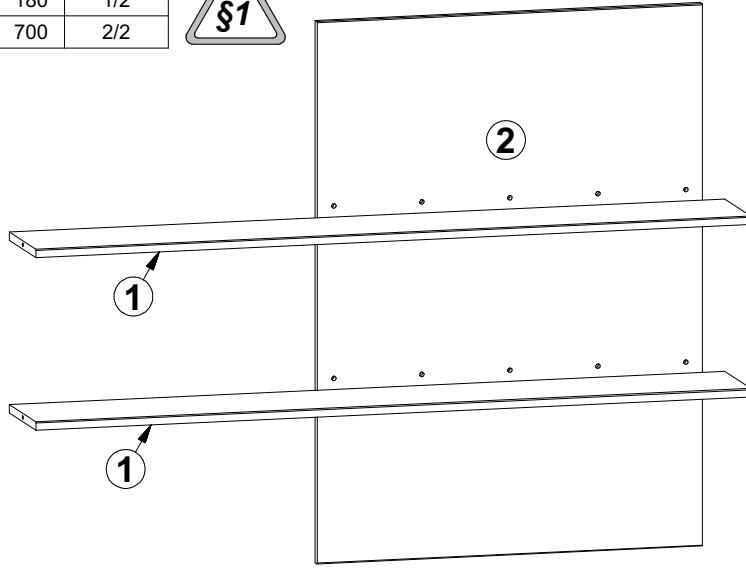




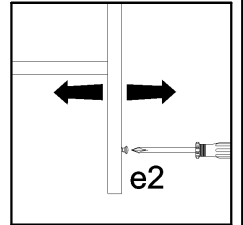
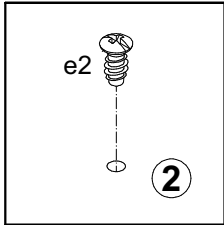
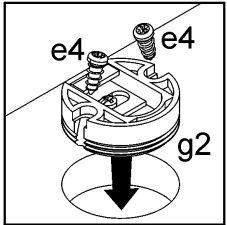
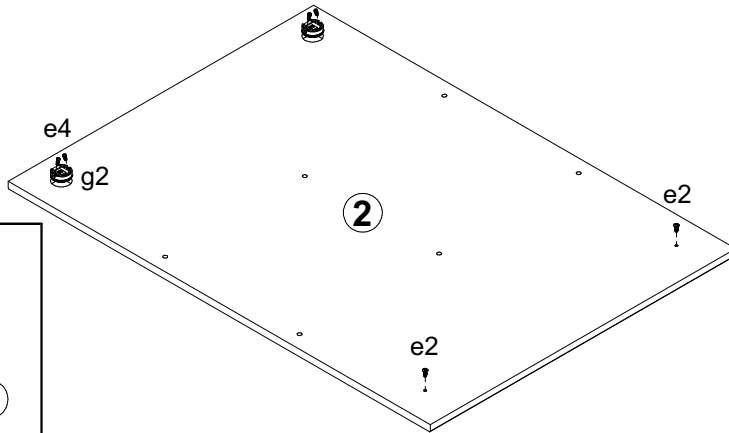




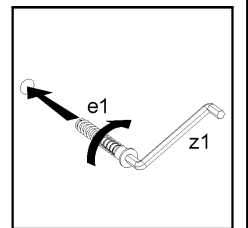
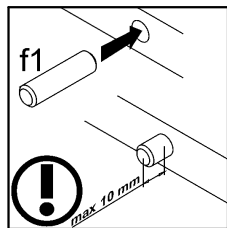
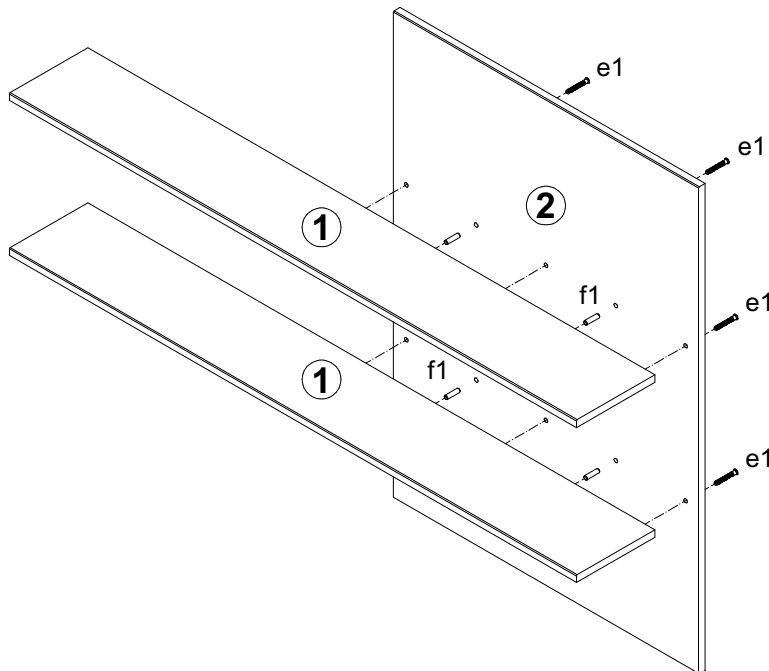
A	B	C	D
1	M97-304	1300	180
2	M97-401	968	700



7

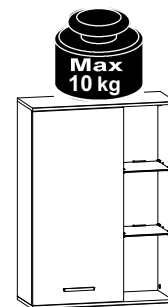
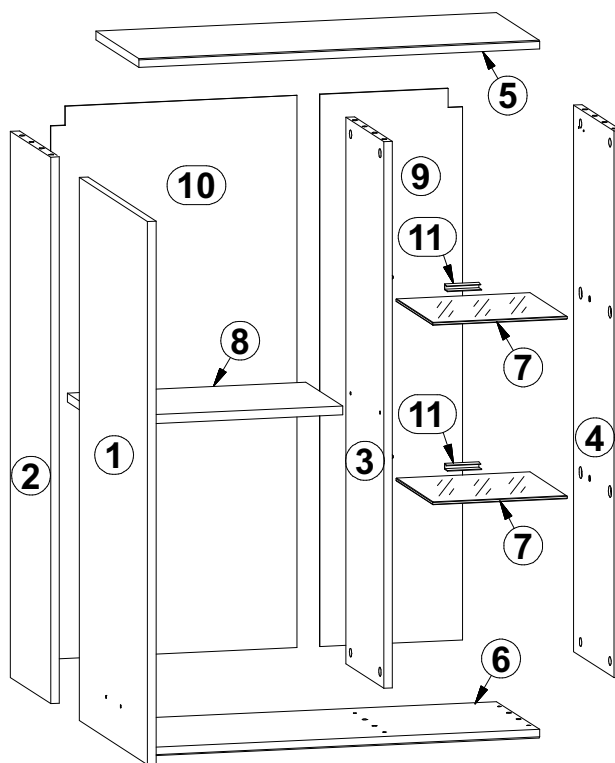


8

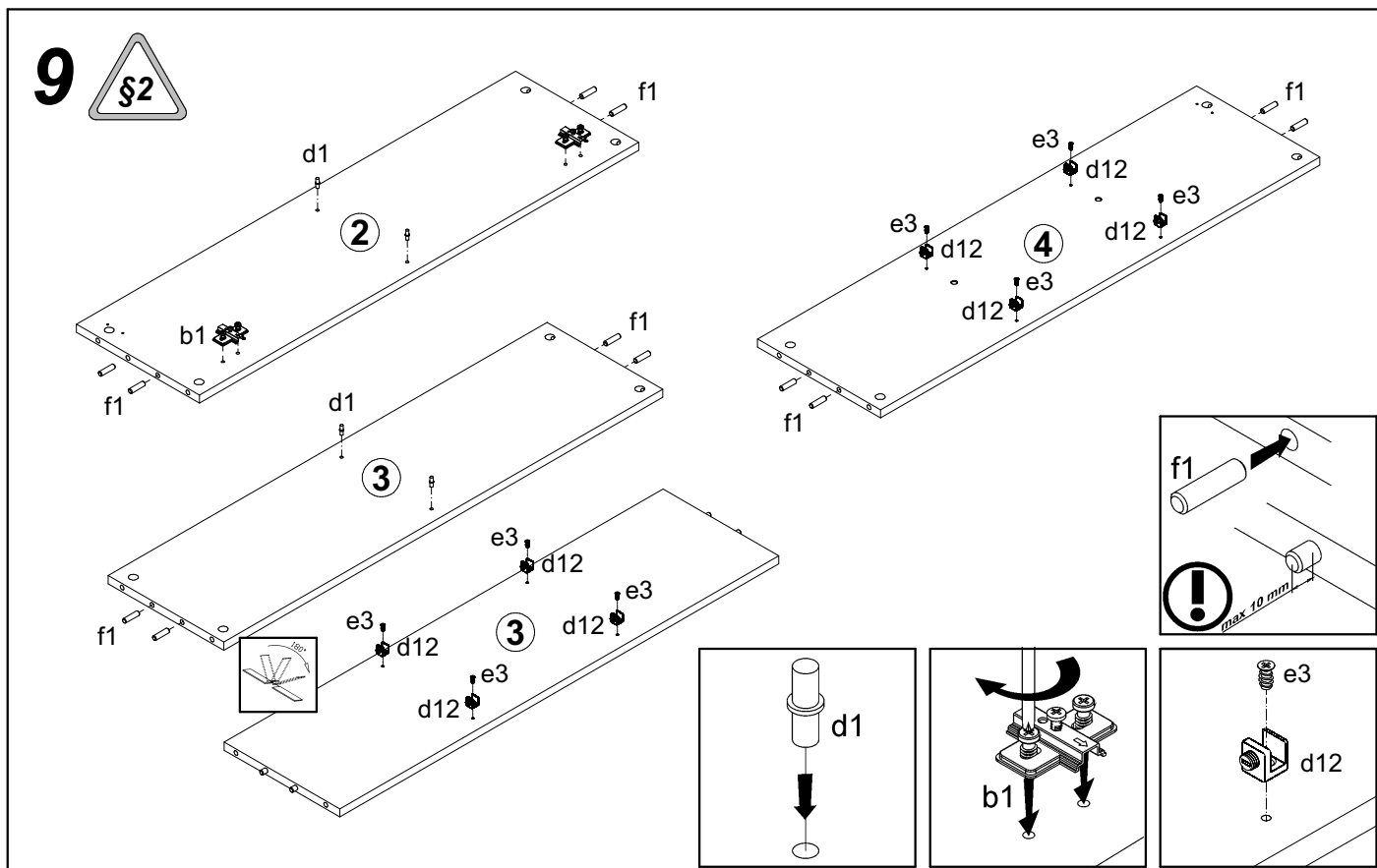




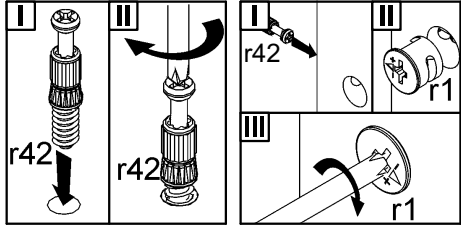
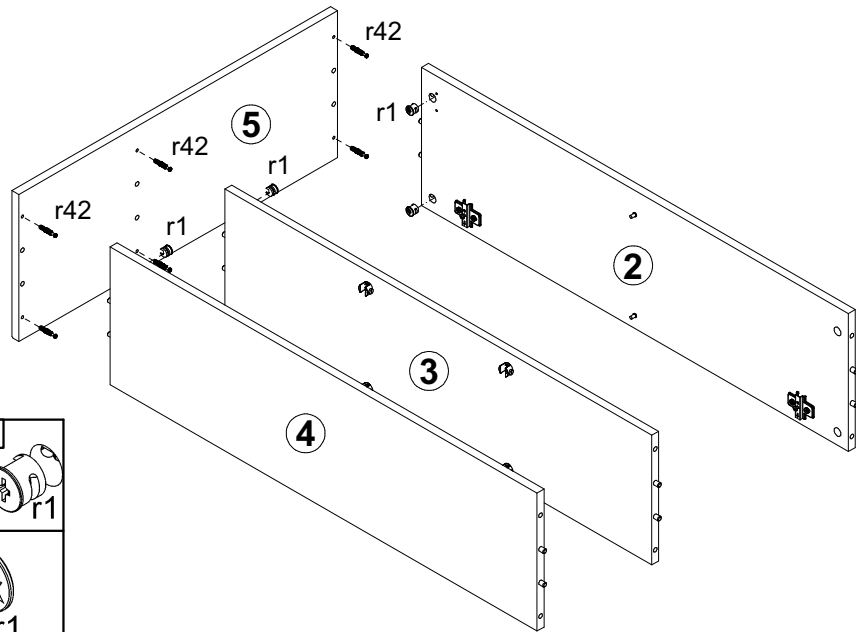
A	B	C	D	
1	M97-001	932	444	2/2
2	M97-101-01	938	263	2/2
3	M97-102	938	263	2/2
4	M97-103-01	938	263	2/2
5	M97-201	700	280	2/2
6	M97-202	700	280	1/2
7	M97-301	225	256	2/2
8	M97-302	417	256	2/2
9	M97-901-01	965	256	2/2
10	M97-902-01	965	439	2/2
11	qb20/2	LED		2/2



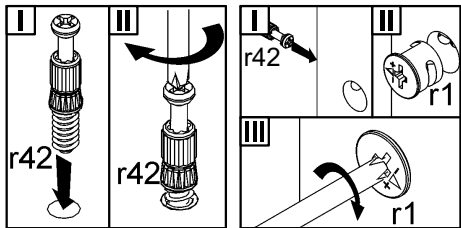
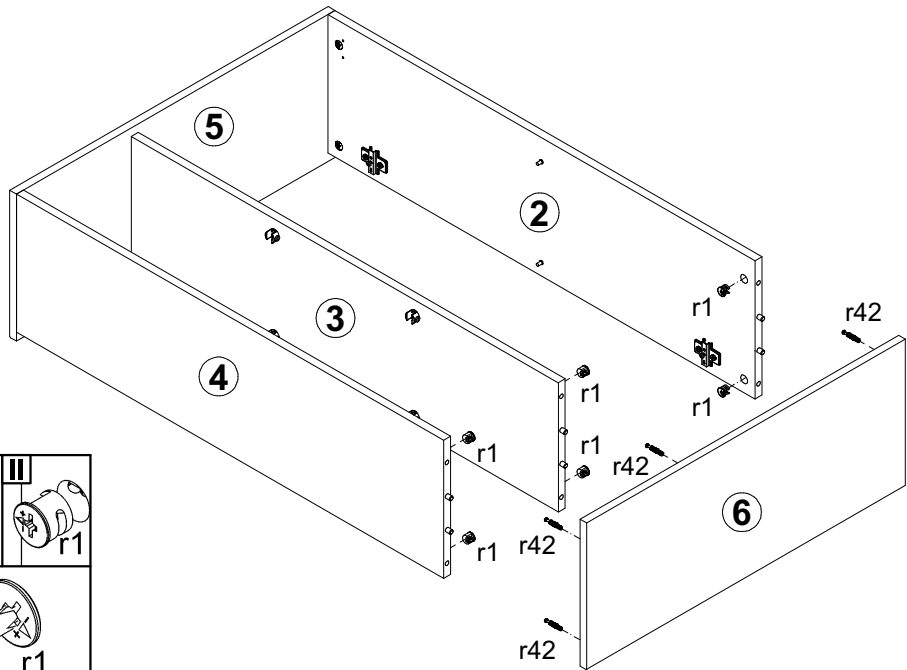
2x 	2x 	1x 	4x 	8x 	2x 	8x 	12x 	50x
2x 	4x 	2x 	12x 	12x 	2x 	10x 		



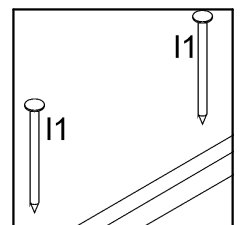
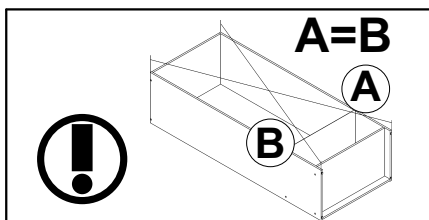
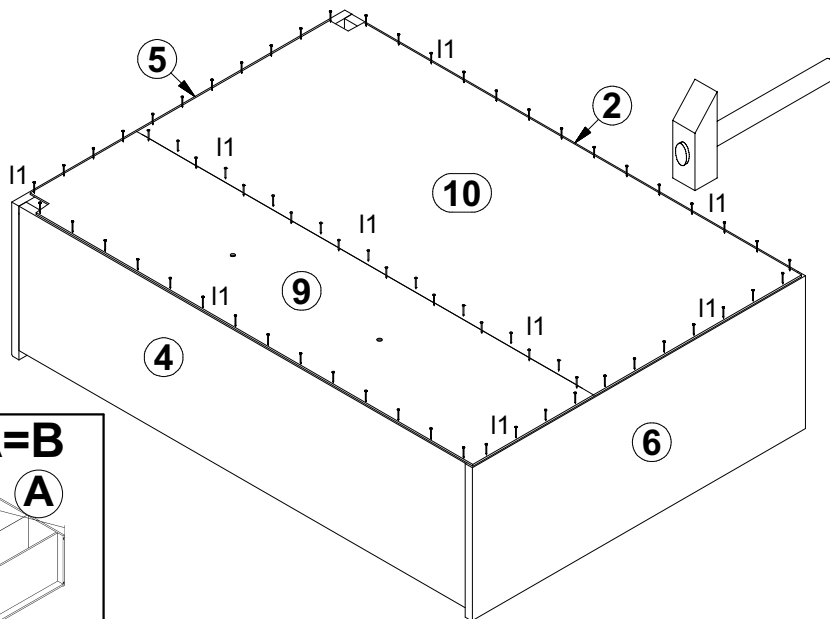
10



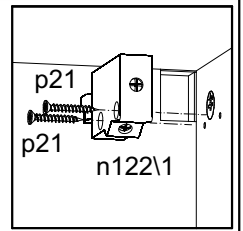
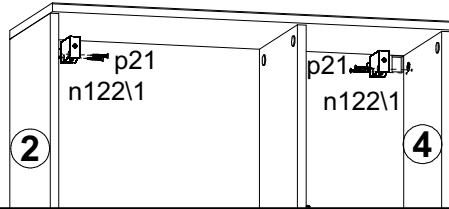
11



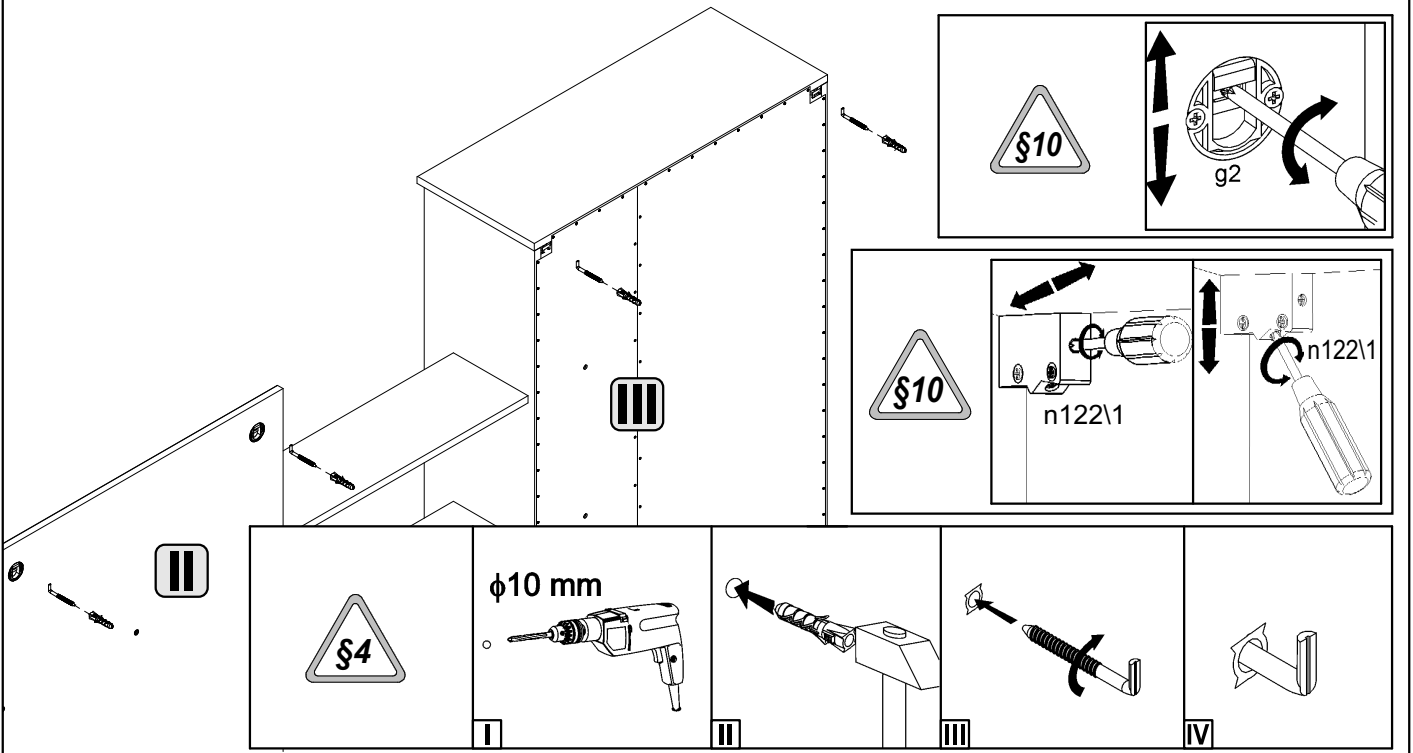
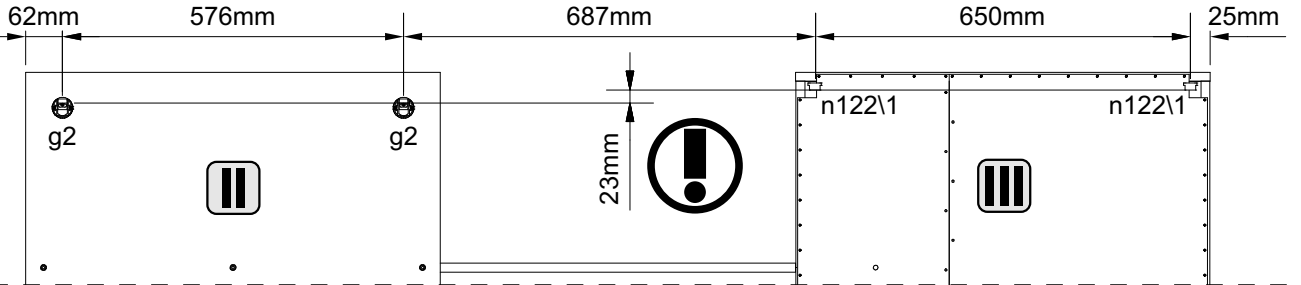
12



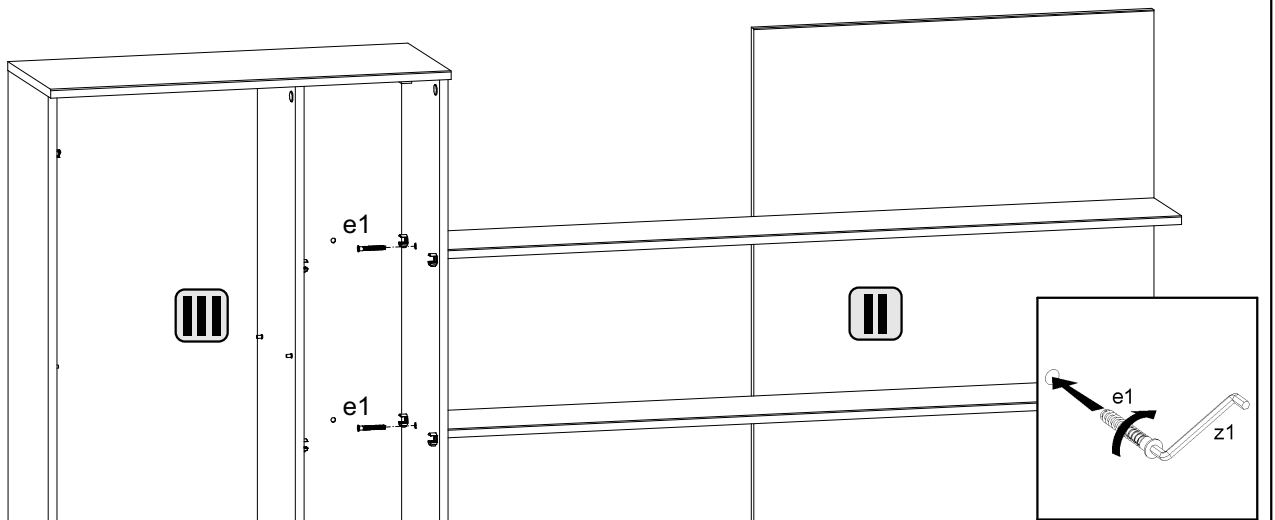
13



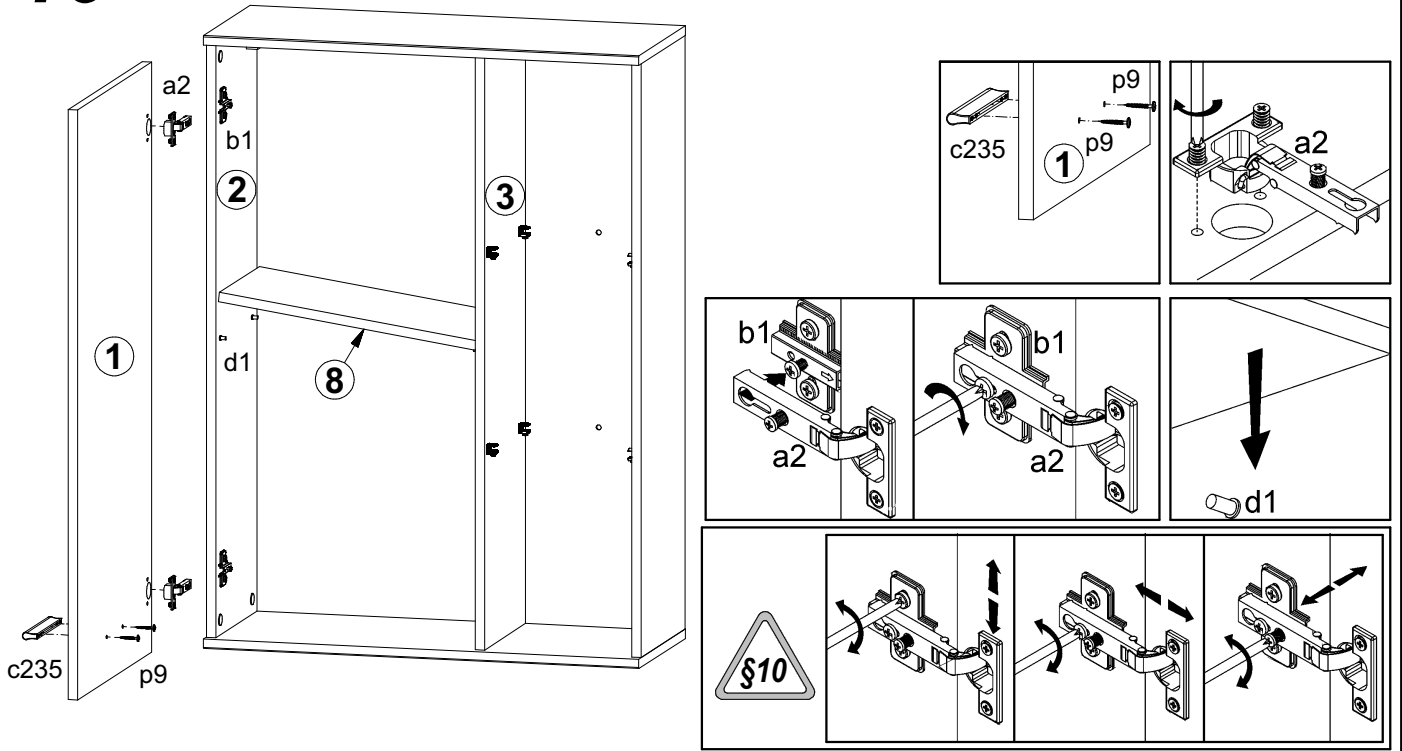
14



15



16



17

