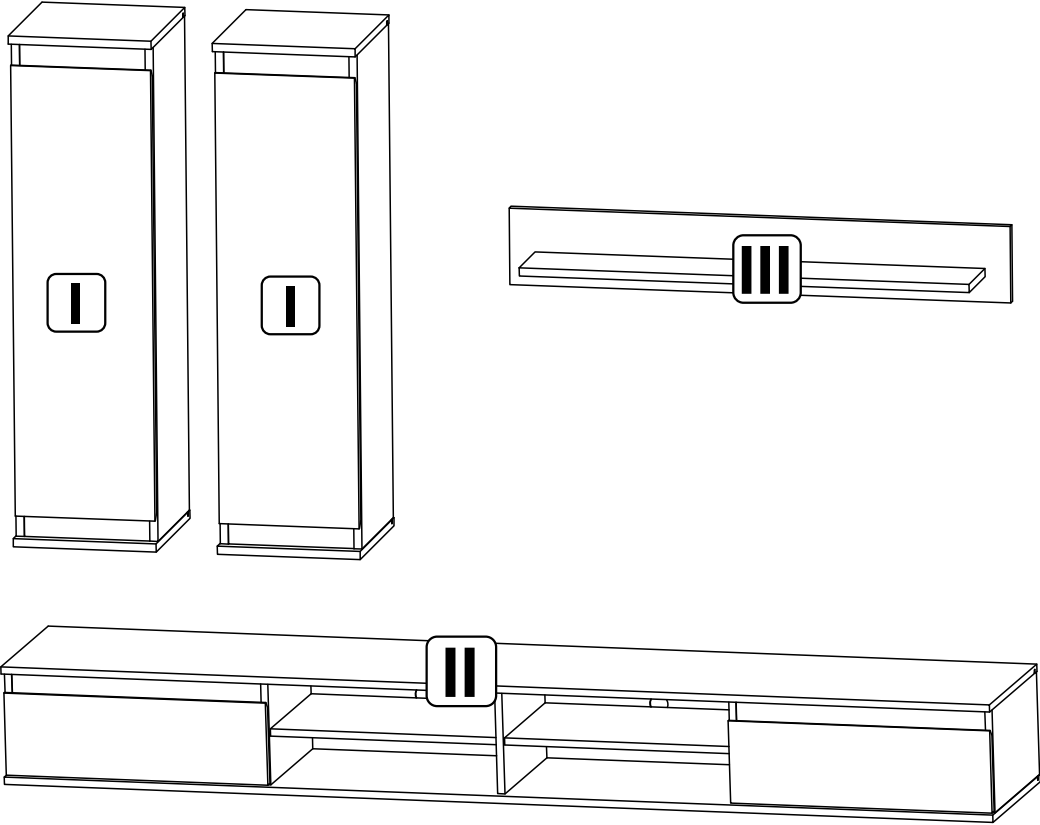
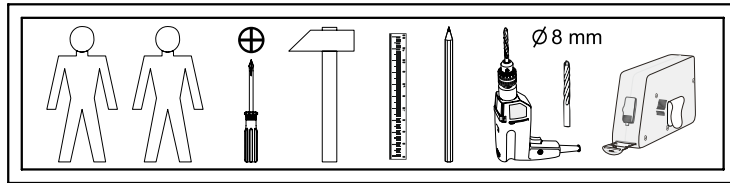
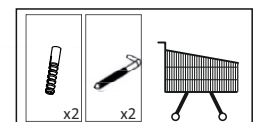
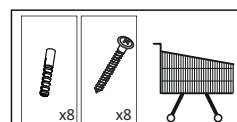


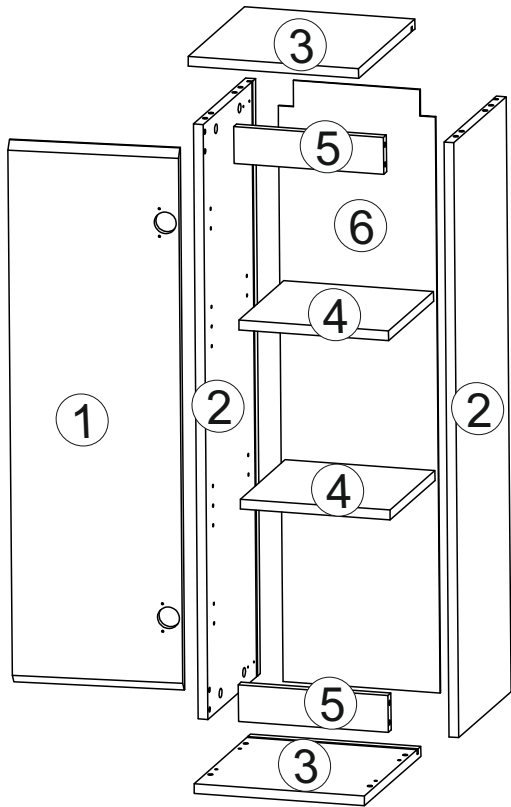
192-000029



4x K0 a44	8x b19	16x φ3,5x15 mm p51	14x φ7x50 mm e1	60x φ8x30 mm f1	26x 20/9 r16
26x φ15x12 mm #16 r1	22x φ16 s2	2x g2	4x φ5x11 mm e4	4x n122\1	8x φ4x30 mm p21
4x n101	8x φ3,5x13 mm p1	24x φ 5x16 mm d1	1x z1	7x 60x60\25 mm k55	14x φ4x35 mm p6
4x 20x13x3,5\1 mm n108	4x φ2,9x16 mm p55	34x l2	4x K16 a43	2x L-230 m48	5x l1



I Wall Cabinet

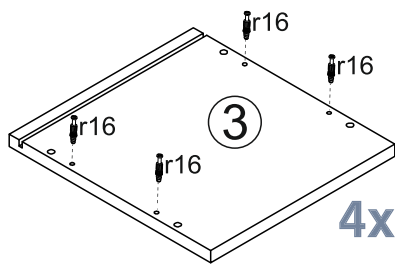
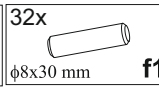
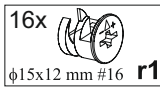


2x

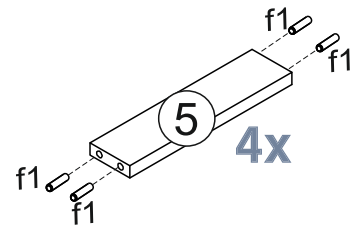


A	B	C	D
1	LU1-001	884	274 1/2
2	LU1-101	970	284 1/2
3	LU1-201	280	306 1/2
4	LU1-301	244	246 1/2
5	LU1-401	246	60 1/2
6	LU1-901	258	982 1/2

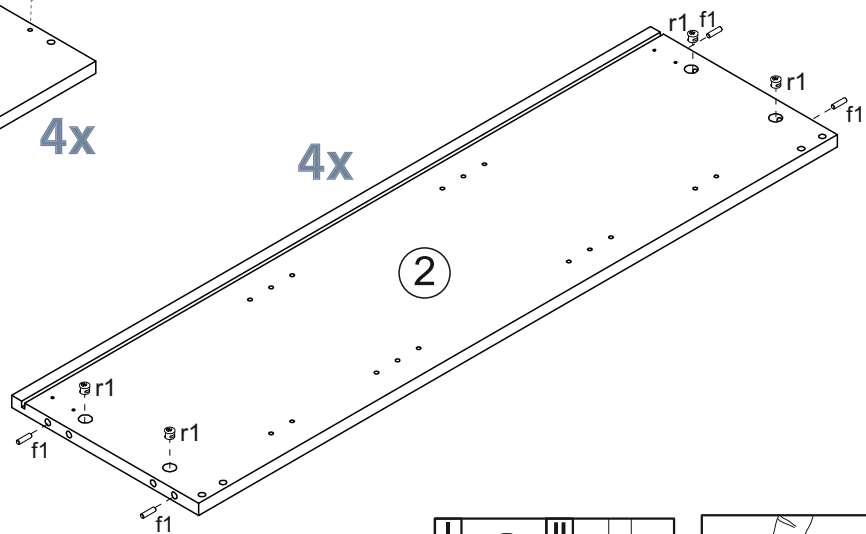
1 §2



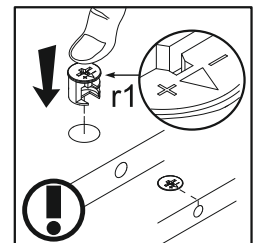
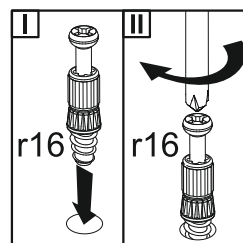
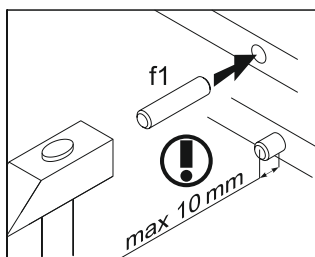
4x



4x



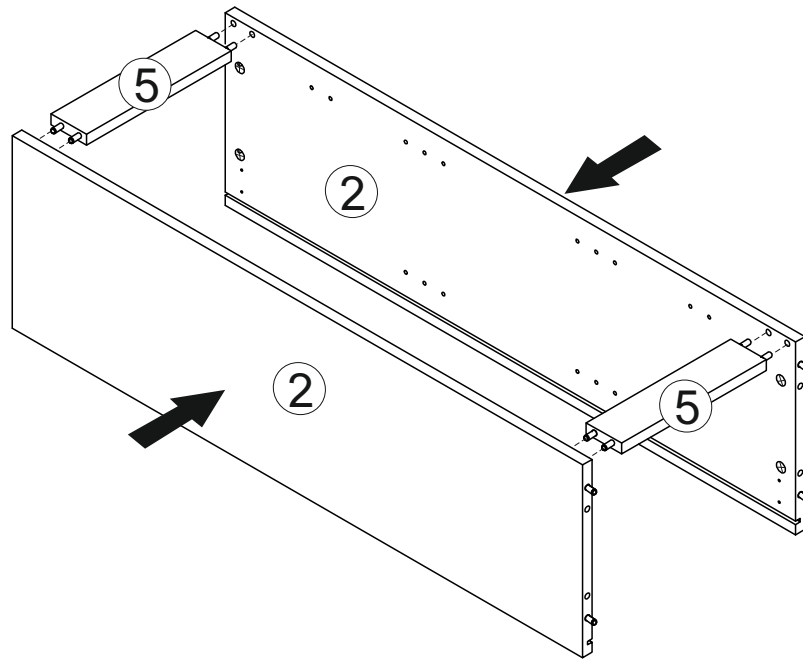
4x



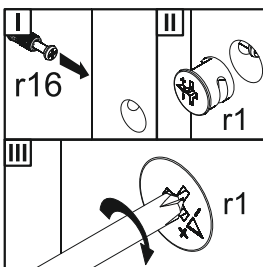
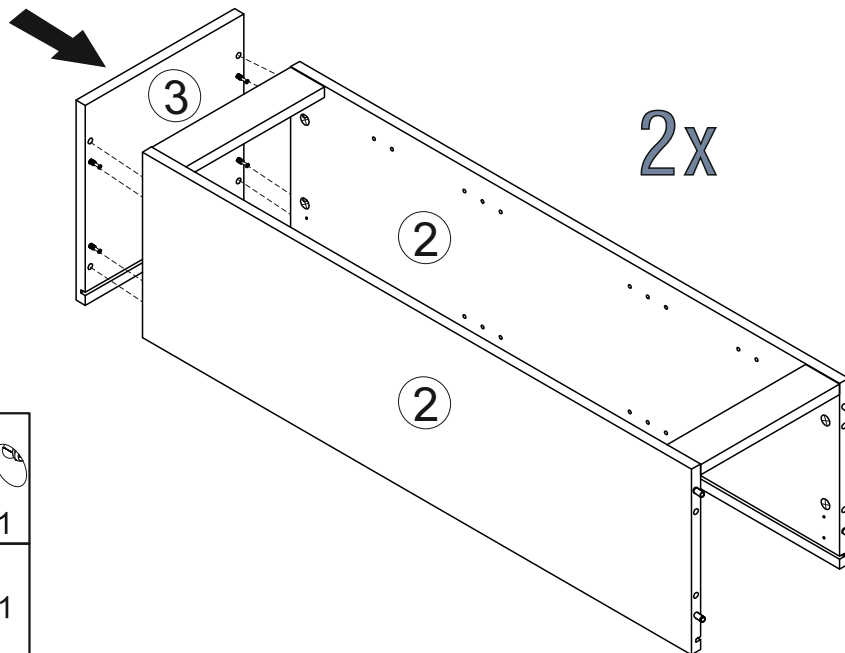
2



2x

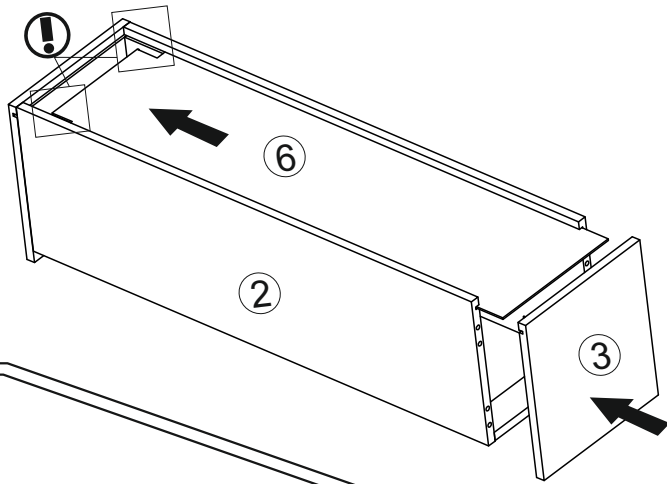
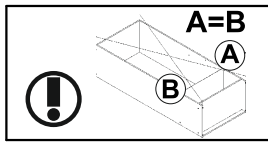


3

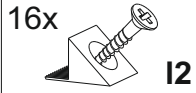


4

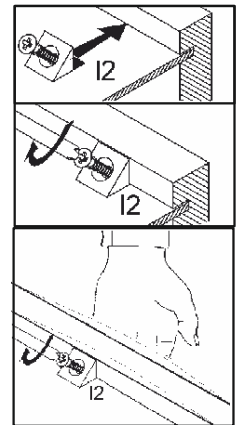
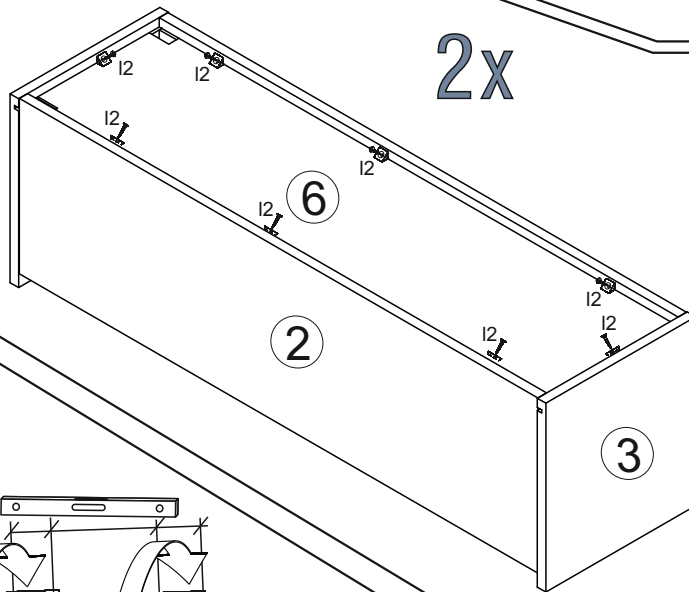
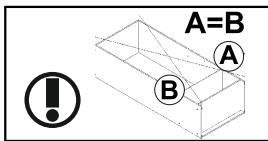
2x



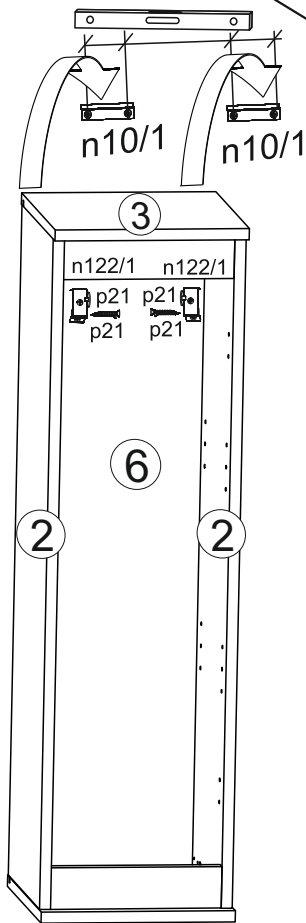
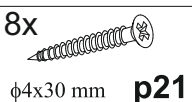
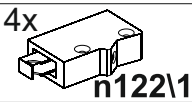
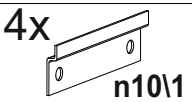
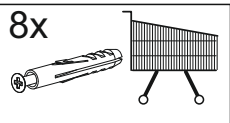
5



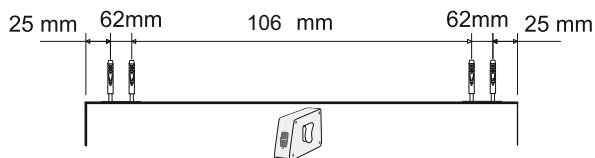
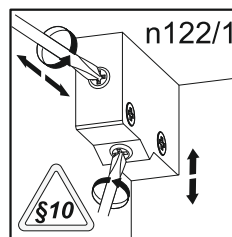
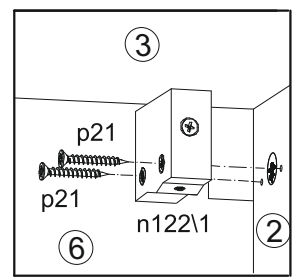
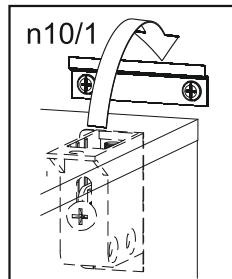
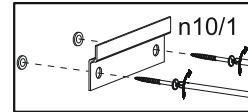
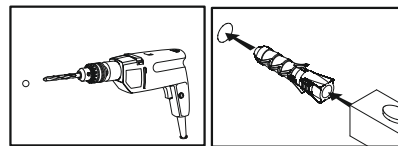
2x



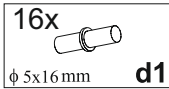
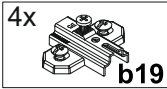
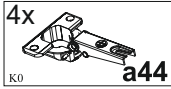
6



2x



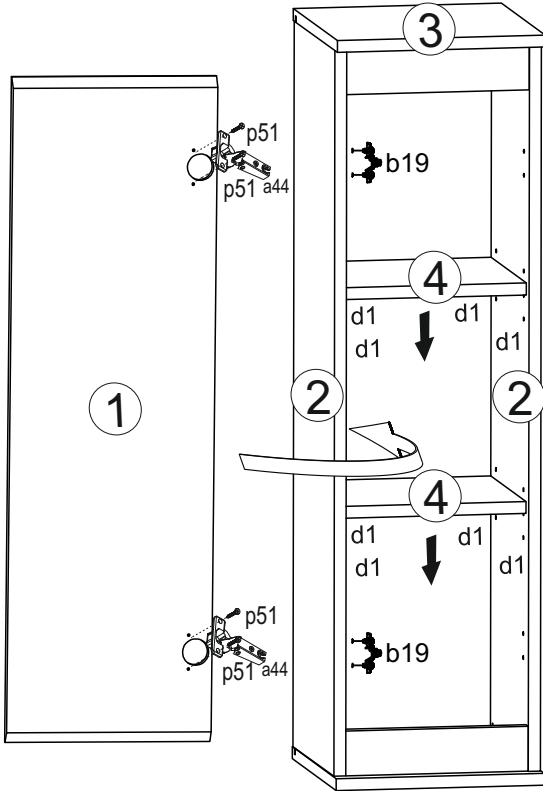
7



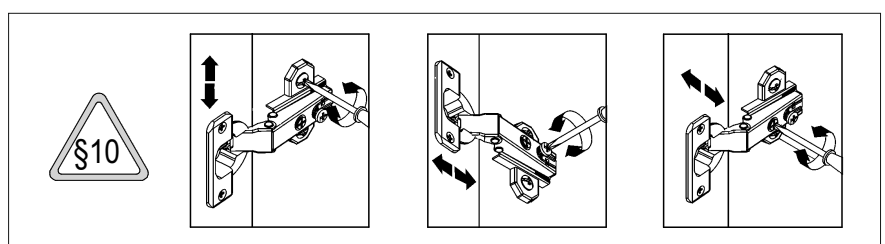
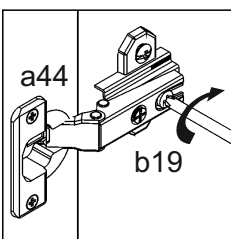
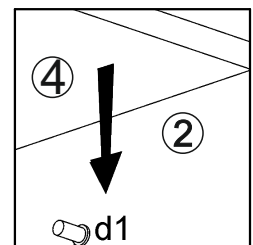
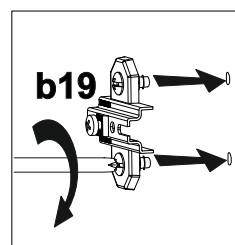
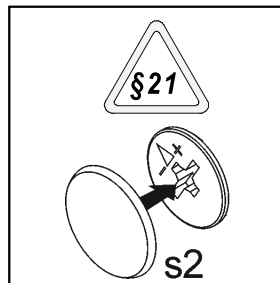
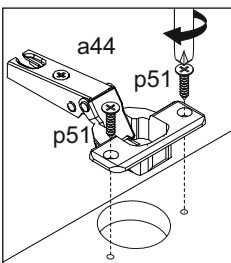
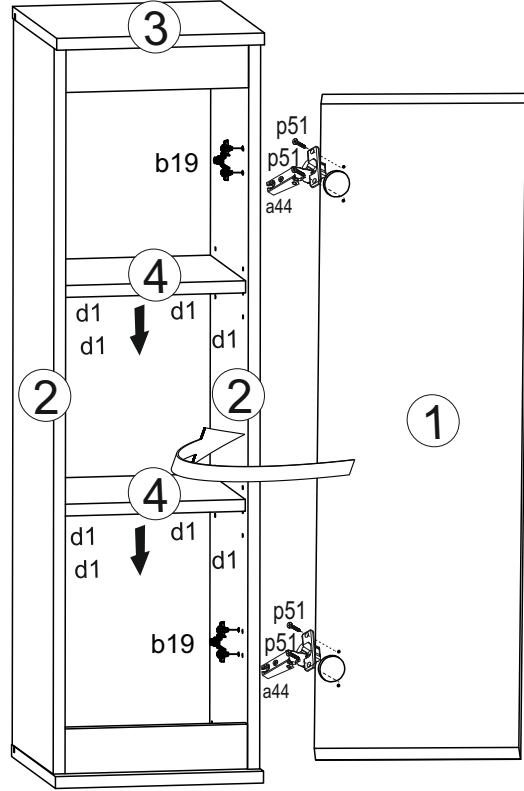
2x



REG1D_L

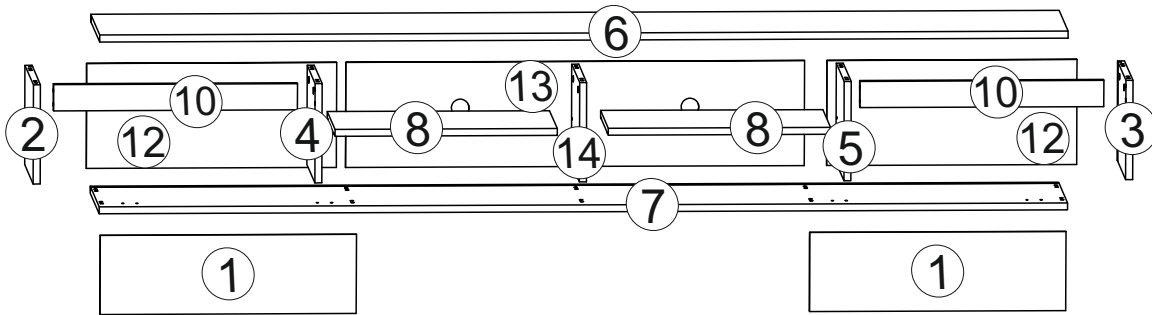


REG1D_P

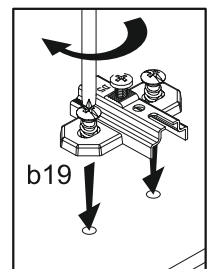
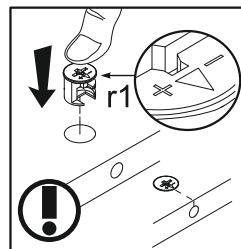
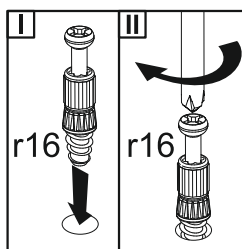
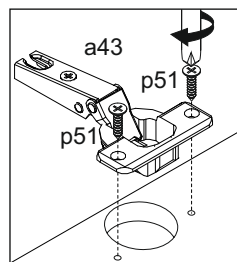
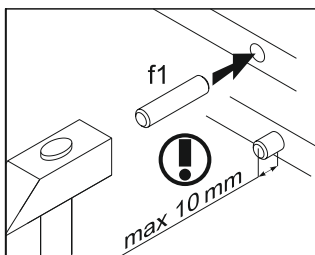
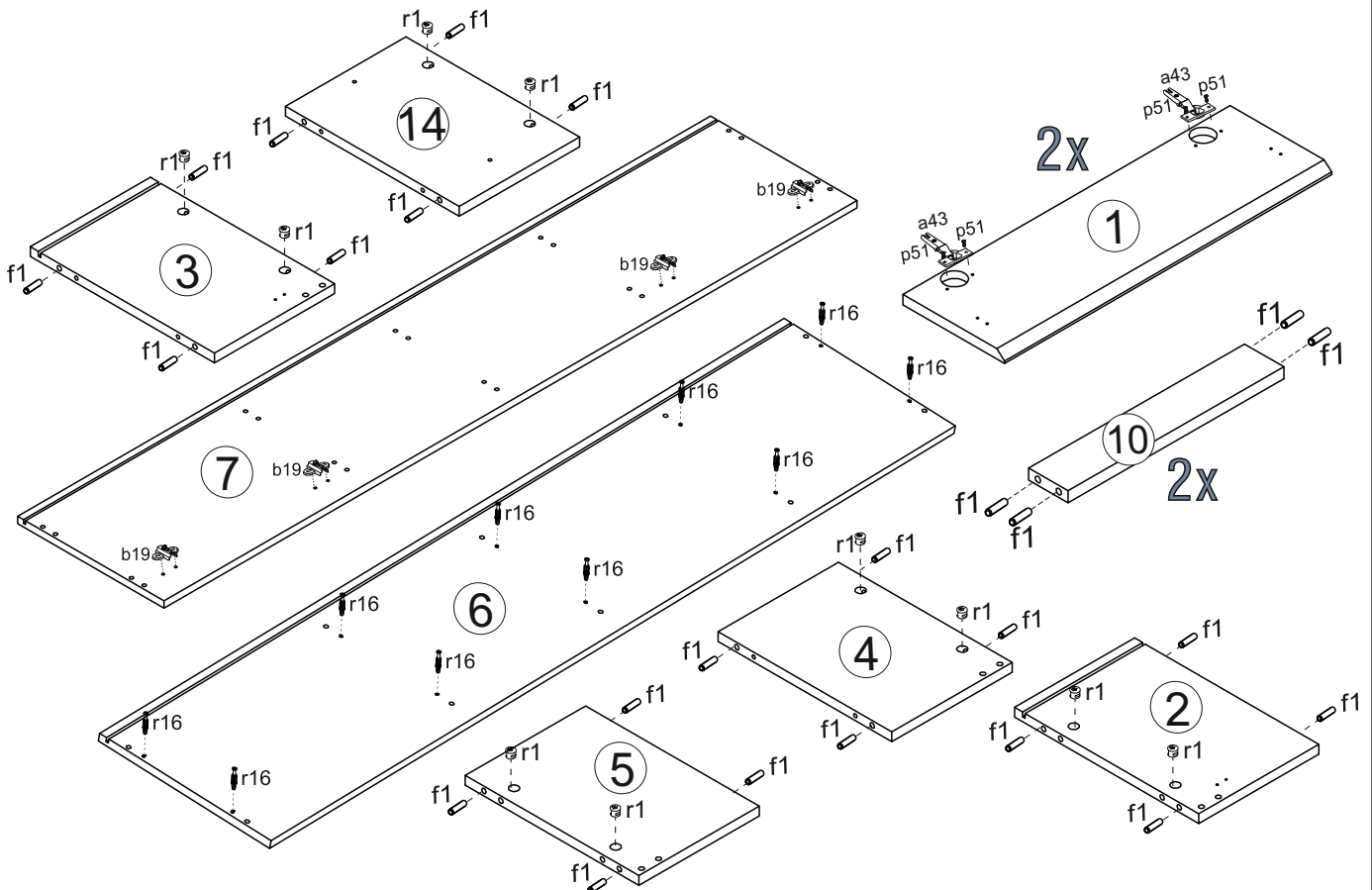
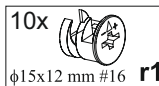
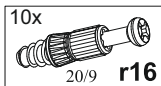
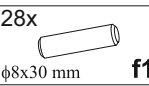
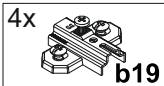
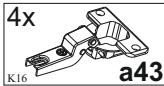




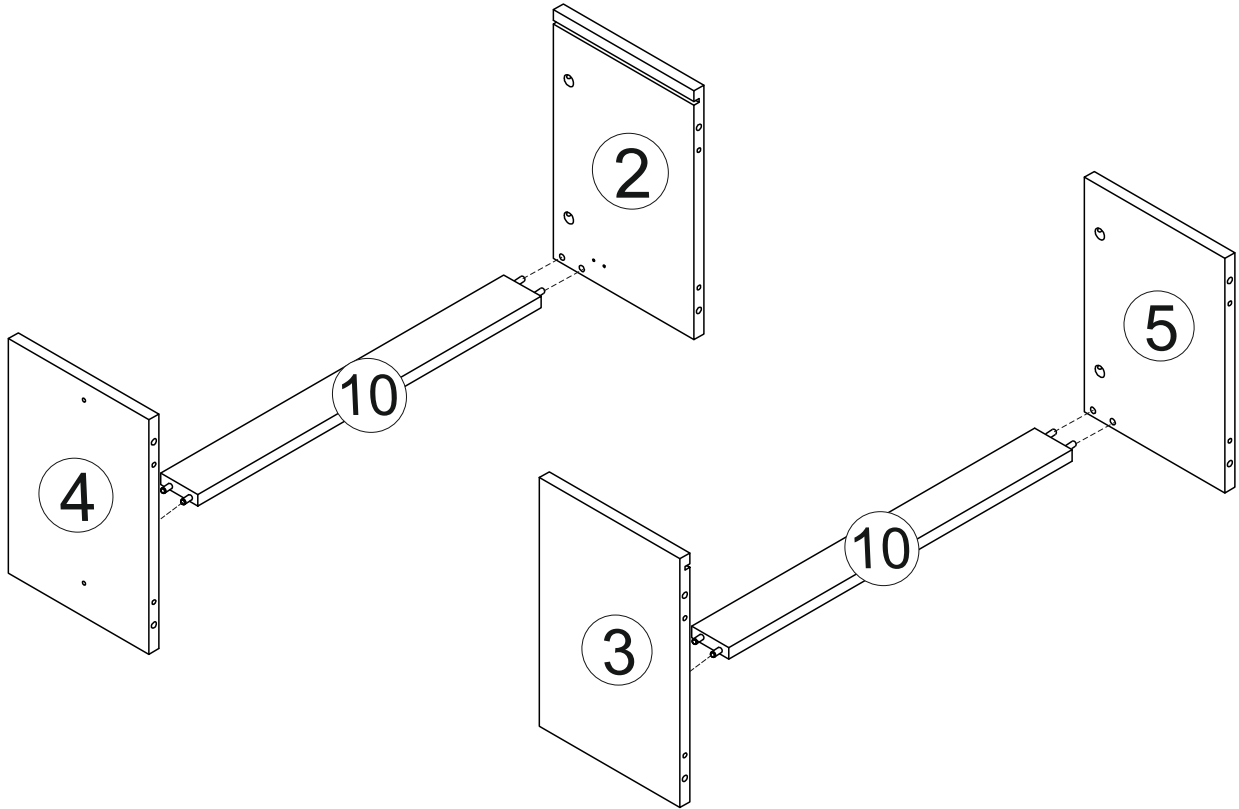
TV stand



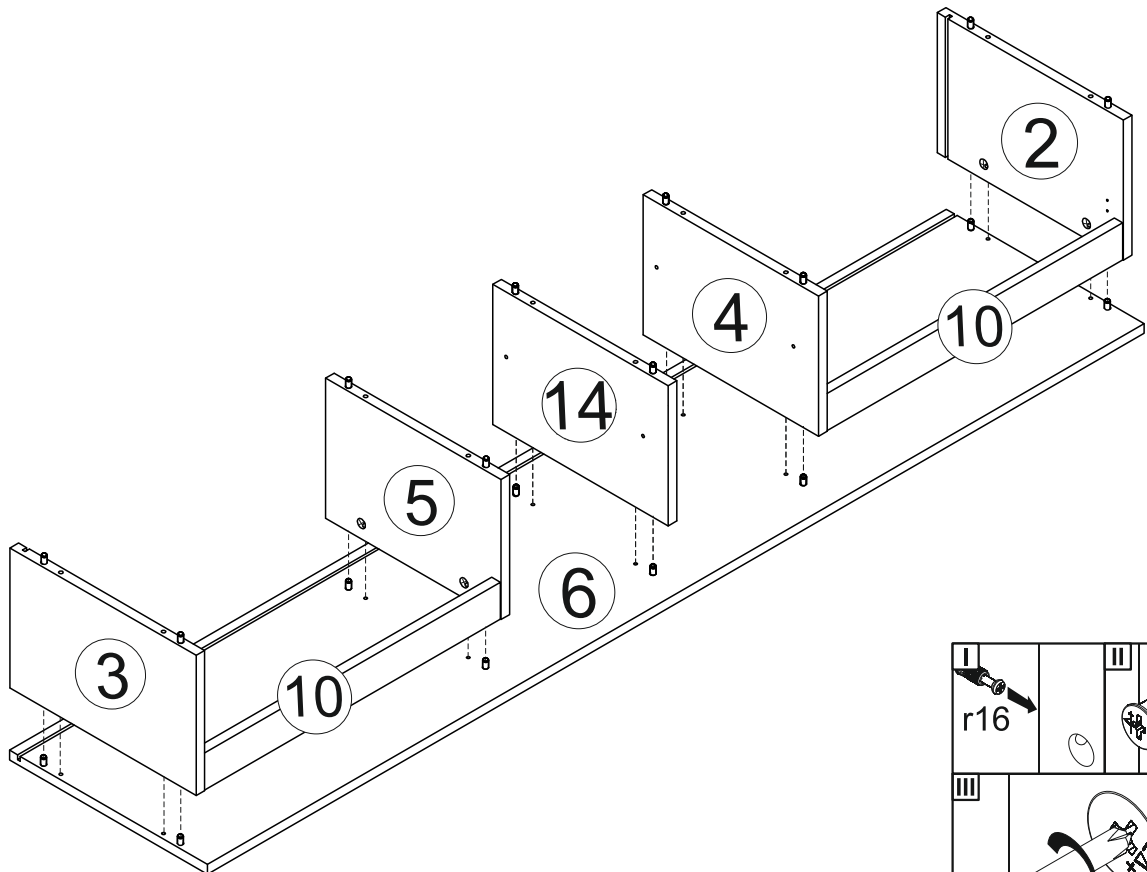
A	B	C		D	A	B	C		D
1	LU1-002	582	181	2/2	7	LU1-205	2200	370	2/2
2	LU1-102	227	348	2/2	8	LU1-304	503	318	2/2
3	LU1-103	227	348	2/2	10	LU1-402	554	60	2/2
4	LU1-104	227	328	2/2	12	LU1-902	568	240	2/2
5	LU1-105	227	328	2/2	13	LU1-904	1042	240	2/2
6	LU1-204	2200	370	2/2	14	LU1-106	227	328	2/2



2

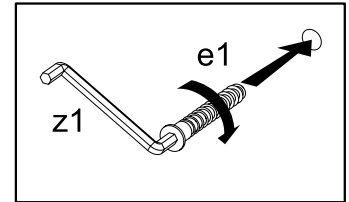
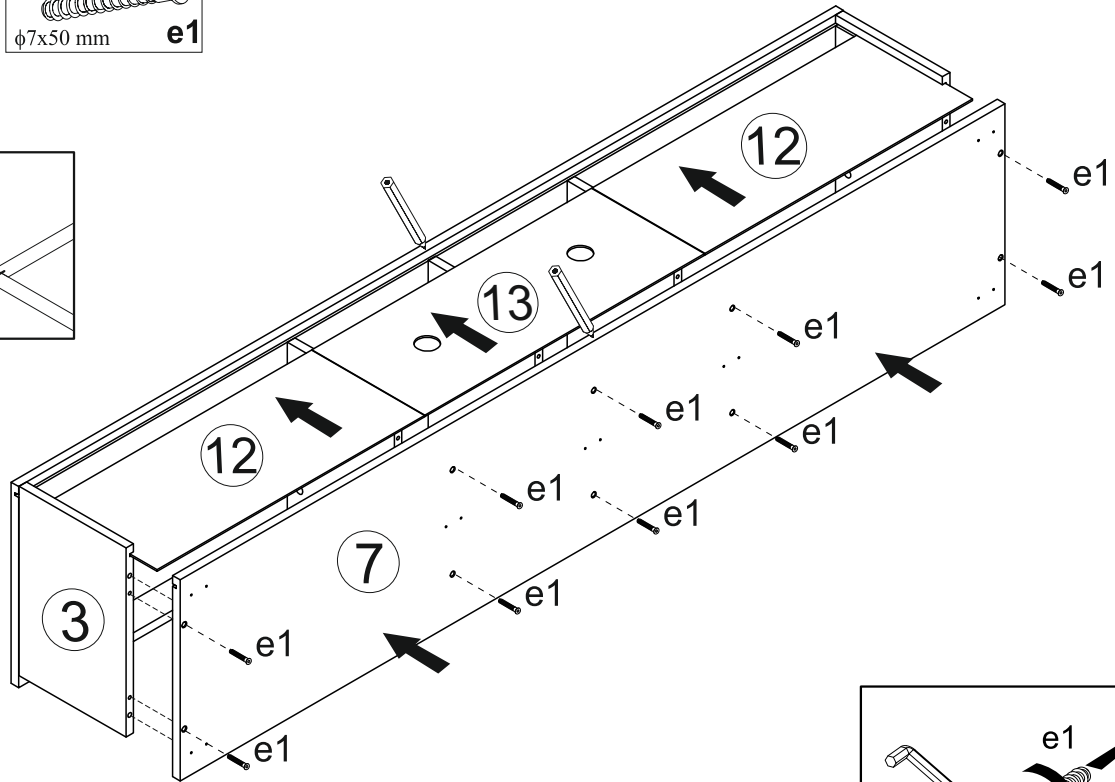
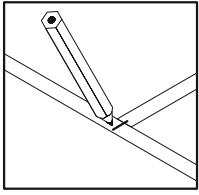


3



4

10x
 $\phi 7 \times 50$ mm e1



5

7x
 60x60x25 mm k55

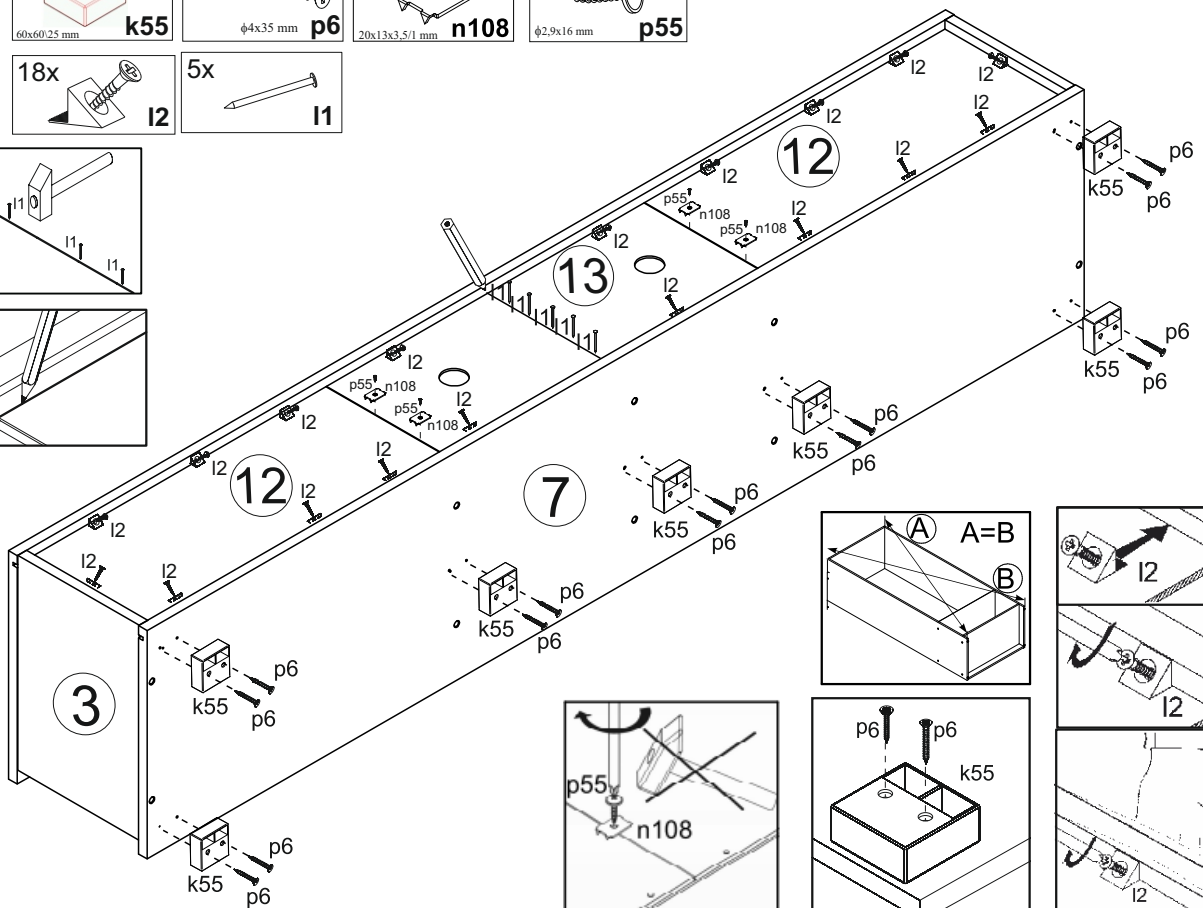
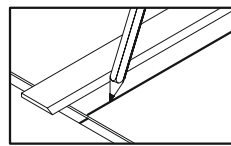
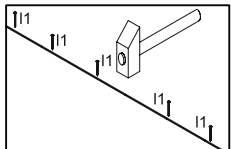
14x
 $\phi 4 \times 35$ mm p6

4x
 20x13x3.5/1 mm n108

4x
 $\phi 2.9 \times 16$ mm p55

18x
 I2

5x
 I1



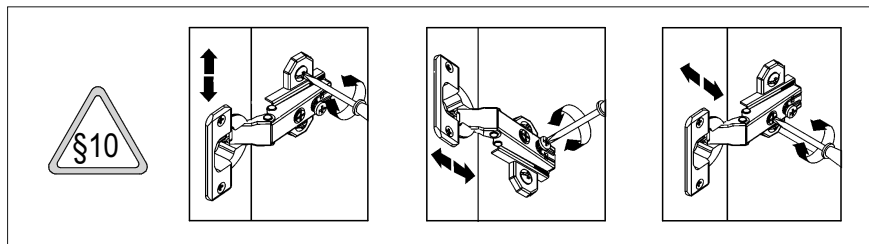
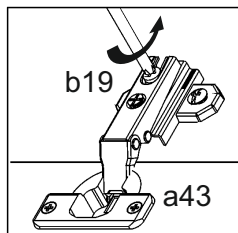
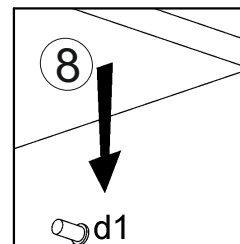
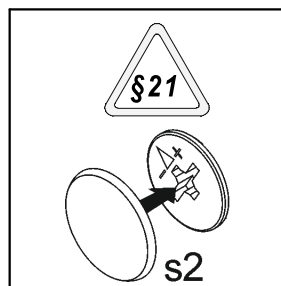
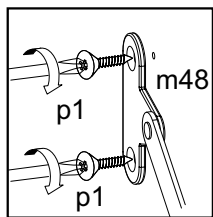
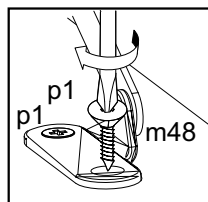
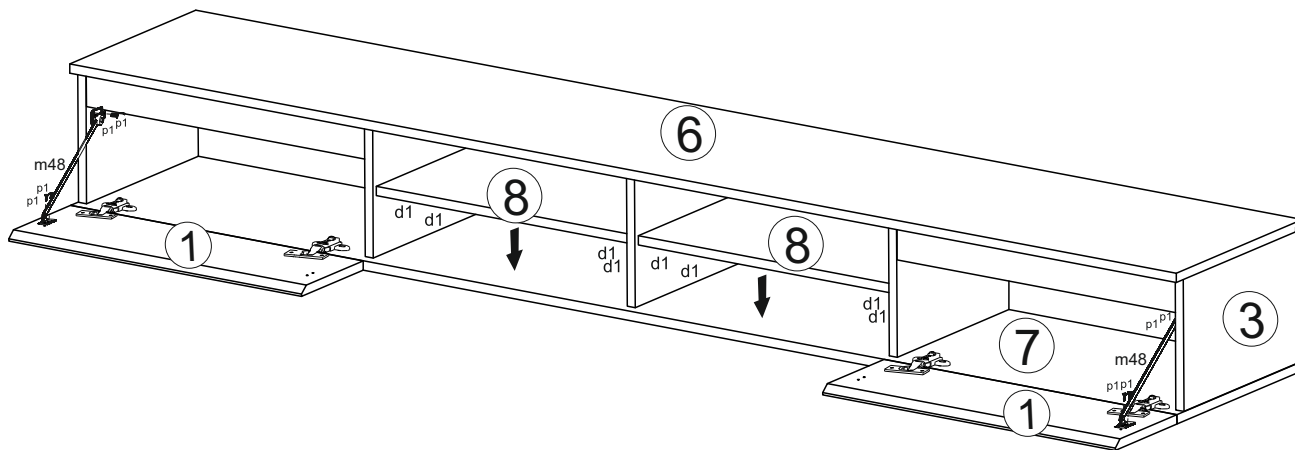
6

8x $\phi 3,5 \times 13$ mm p1

8x $\phi 5 \times 16$ mm d1

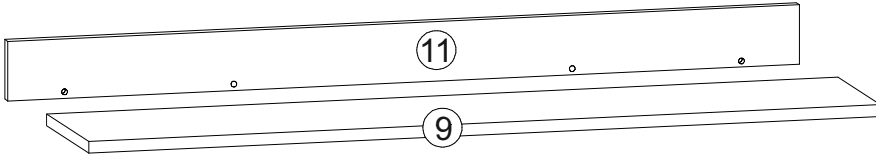
2x L-230 m48

10x $\phi 16$ s2



Shelf

max
3kg



1



A	B	C	D	
9	LU1-303	882	144	2/2
11	LU1-403	982	150	2/2

