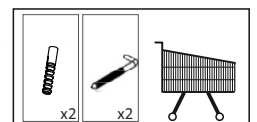
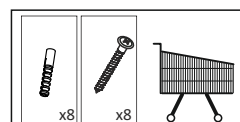
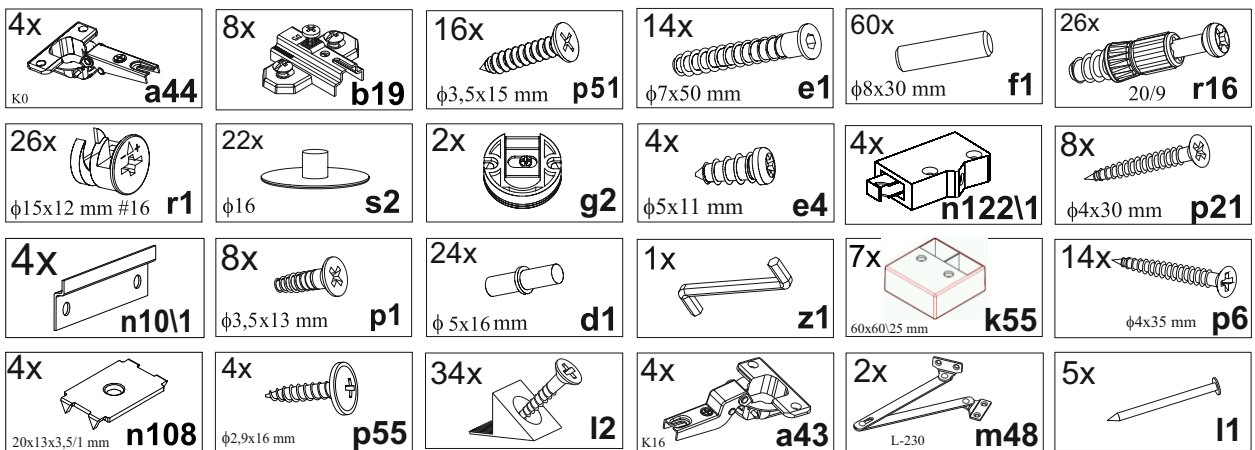
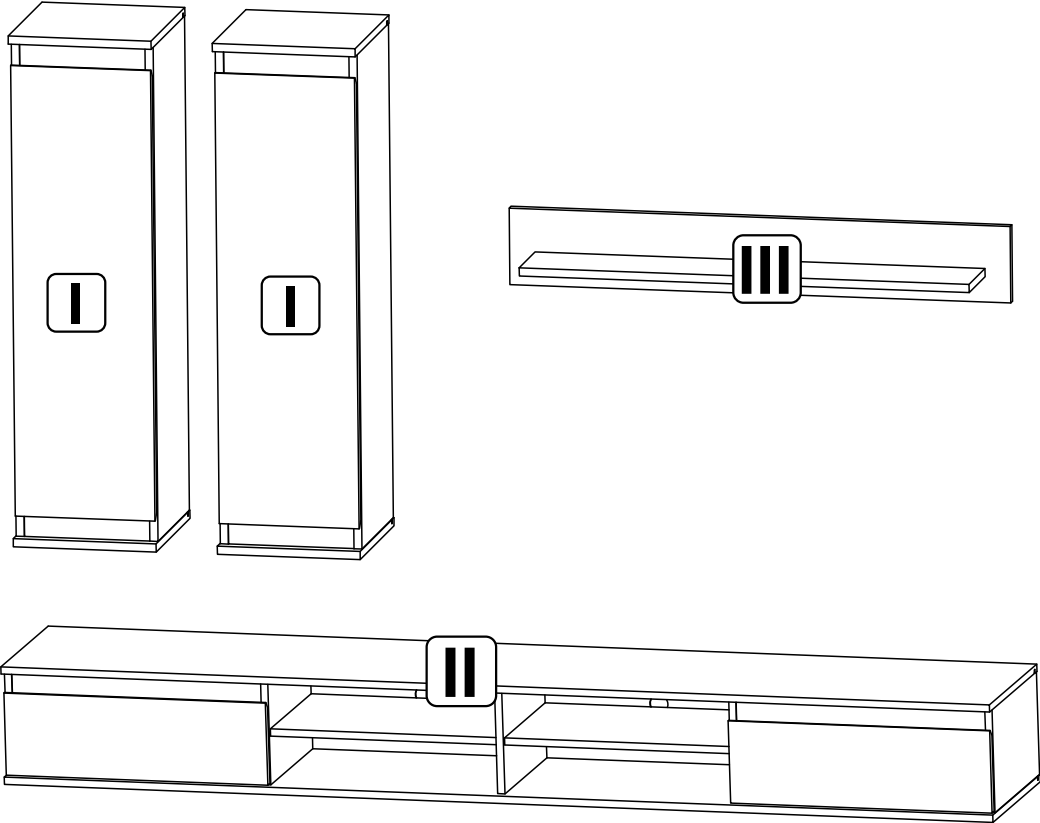
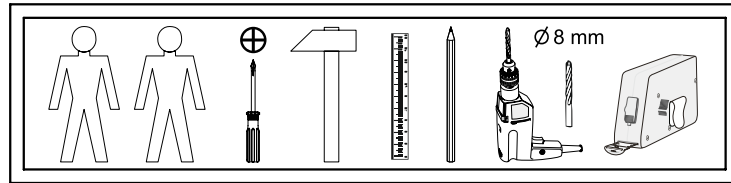
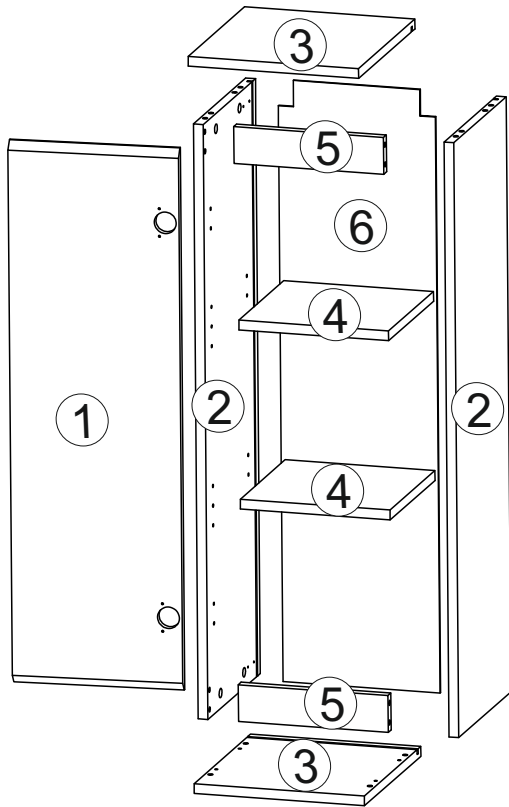


LUSIA 220

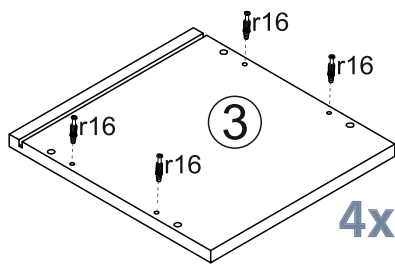
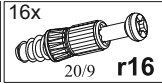
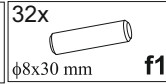
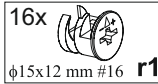
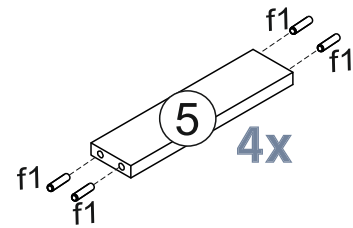
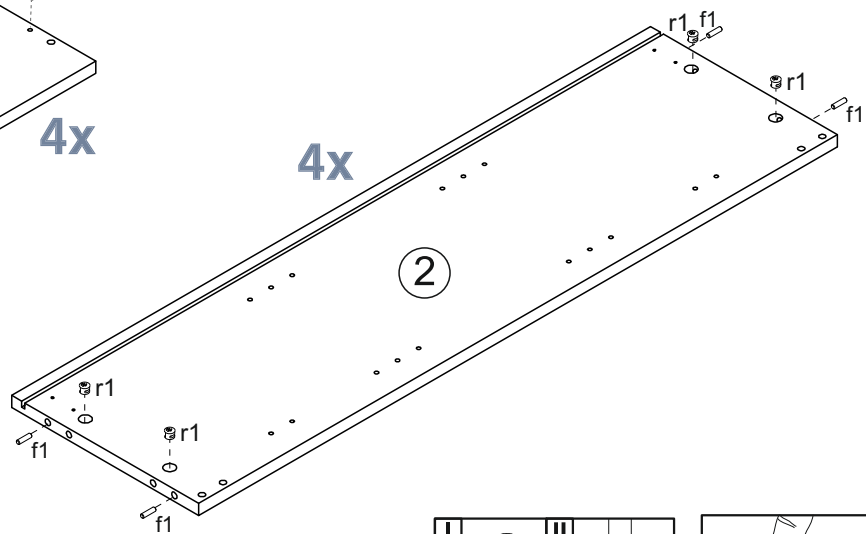
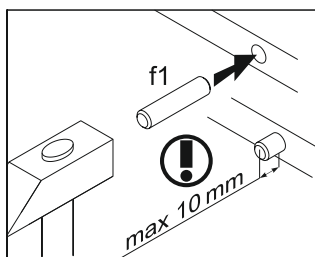


I

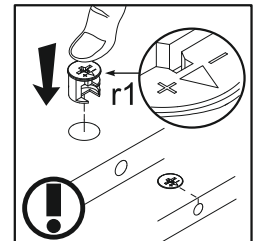
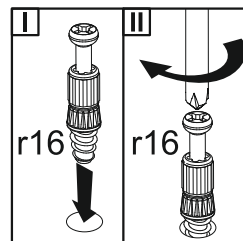
Wall Cabinet

**2x**

A	B	C	D
1	LU1-001	884	274 1/2
2	LU1-101	970	284 1/2
3	LU1-201	280	306 1/2
4	LU1-301	244	246 1/2
5	LU1-401	246	60 1/2
6	LU1-901	258	982 1/2

1 **4x****4x****4x**

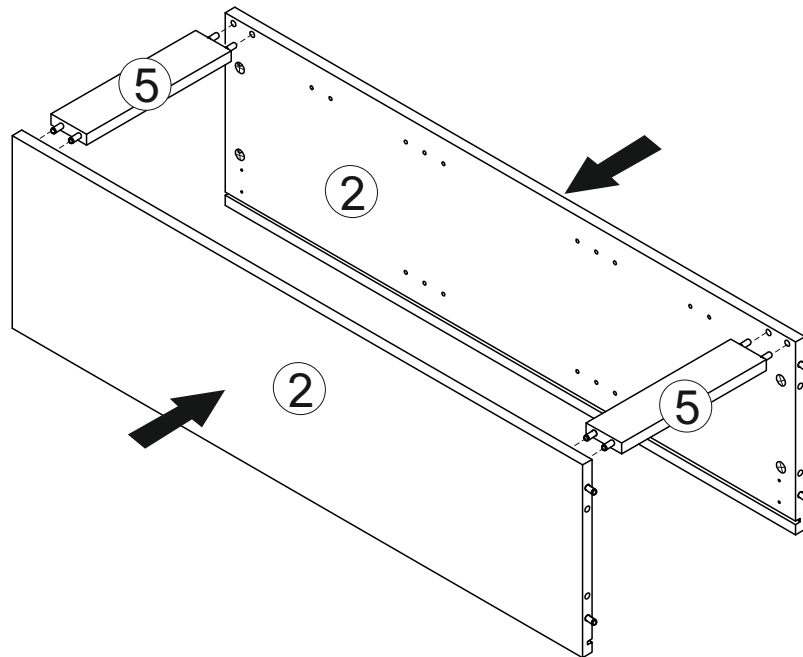
max 10 mm



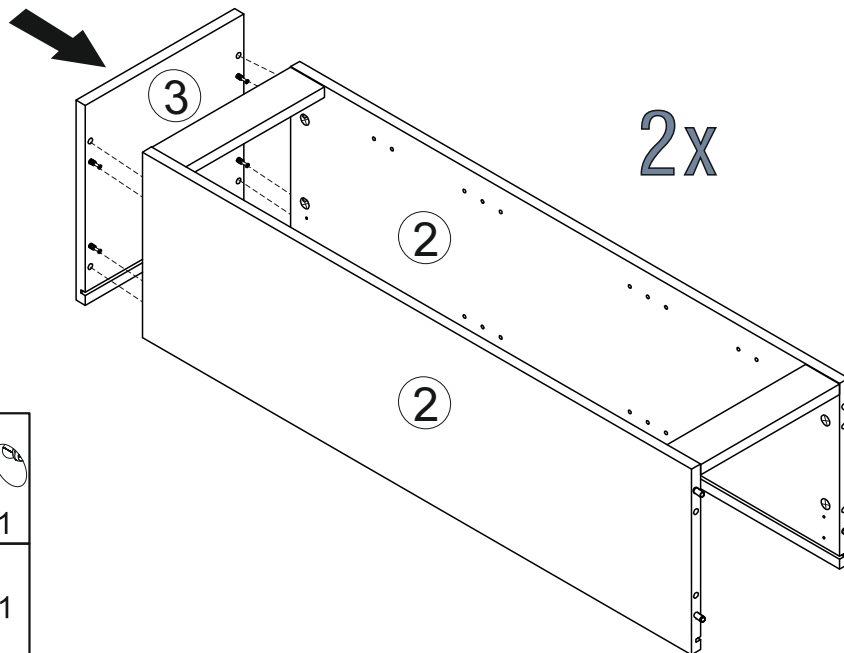
2



2x

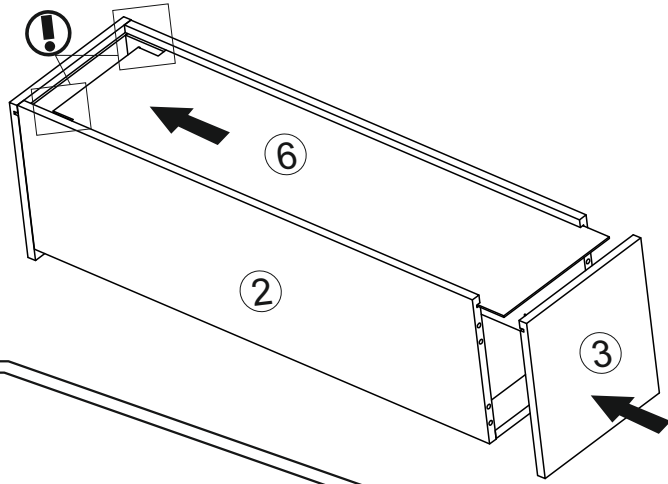
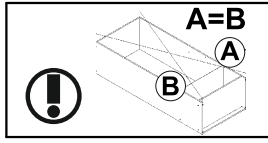


3



4

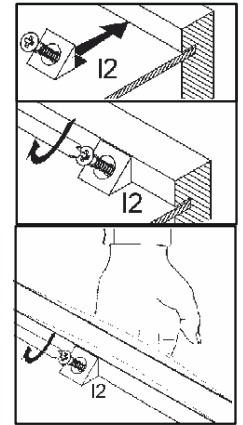
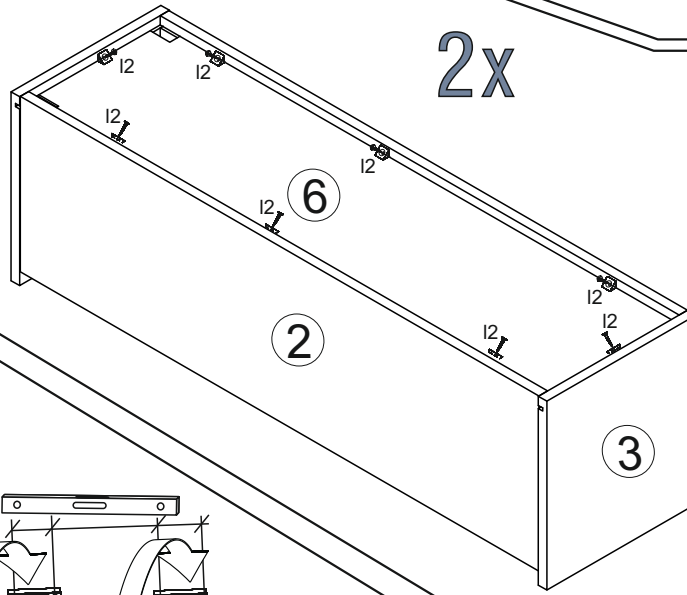
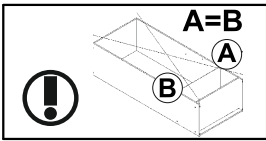
2x



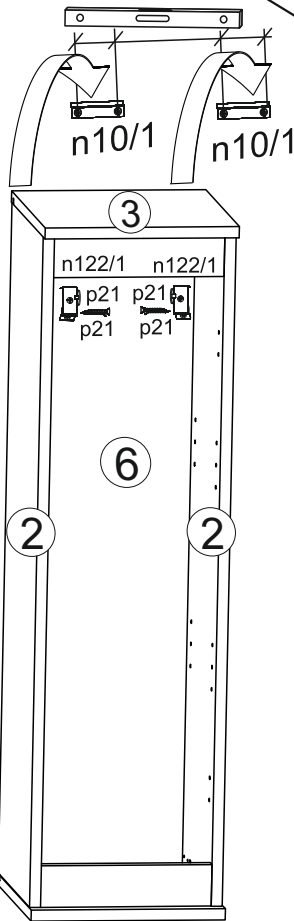
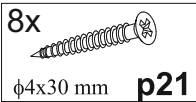
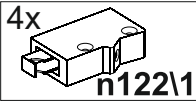
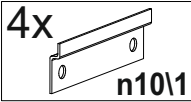
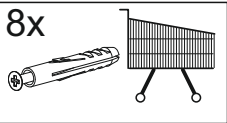
5



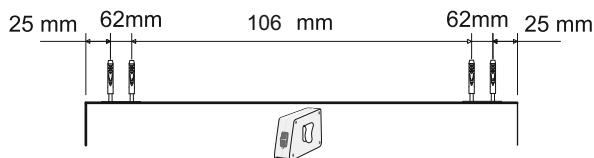
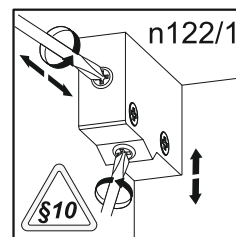
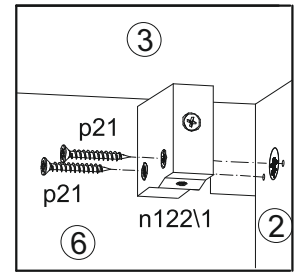
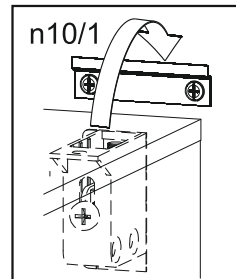
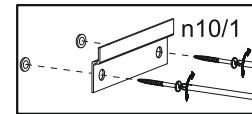
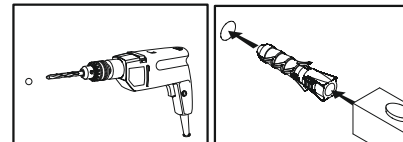
2x



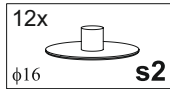
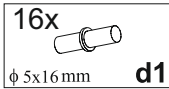
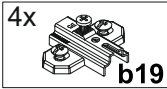
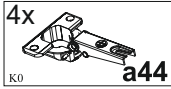
6



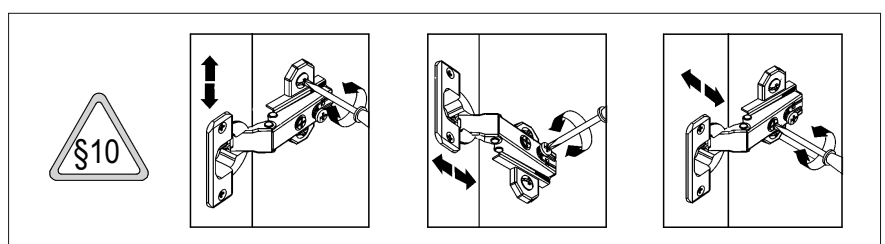
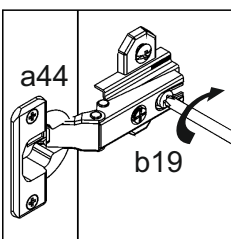
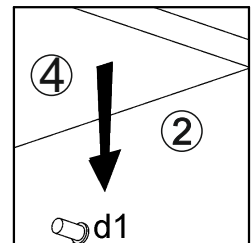
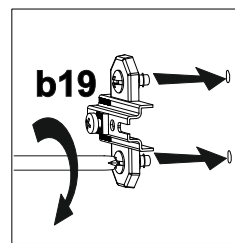
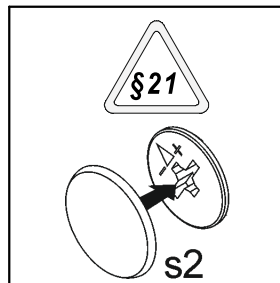
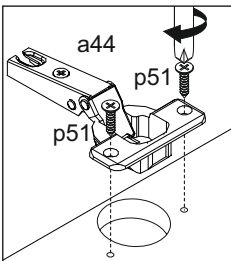
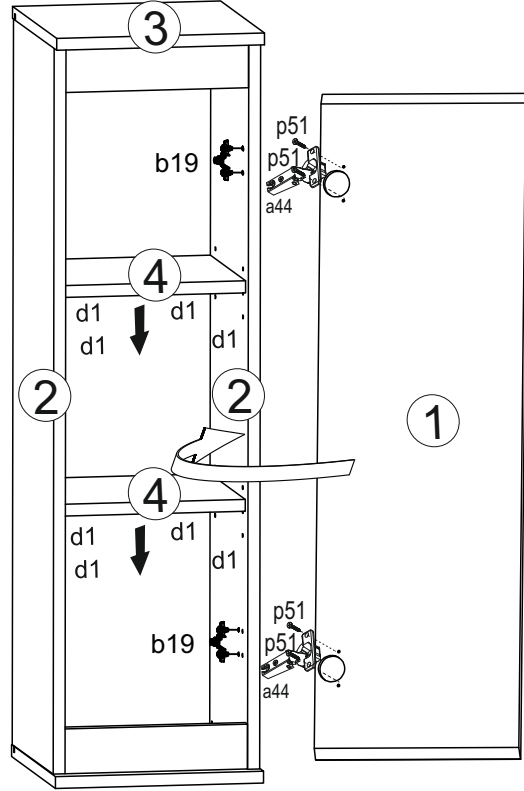
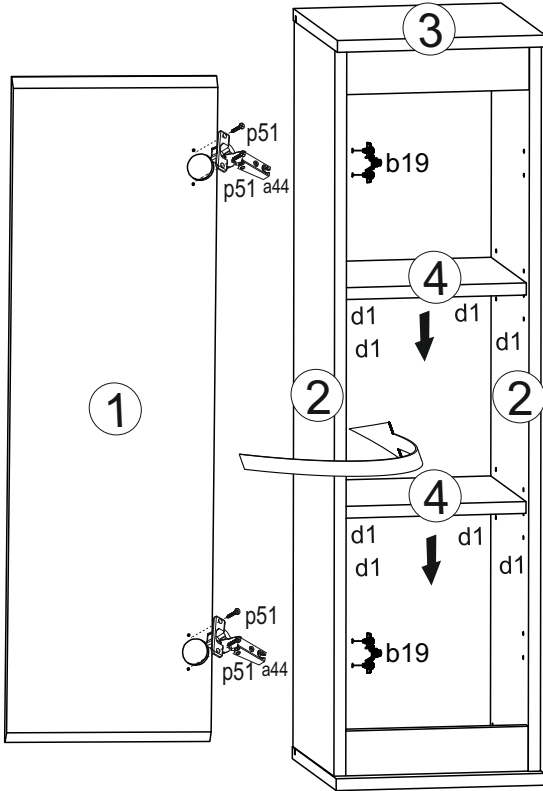
2x



7

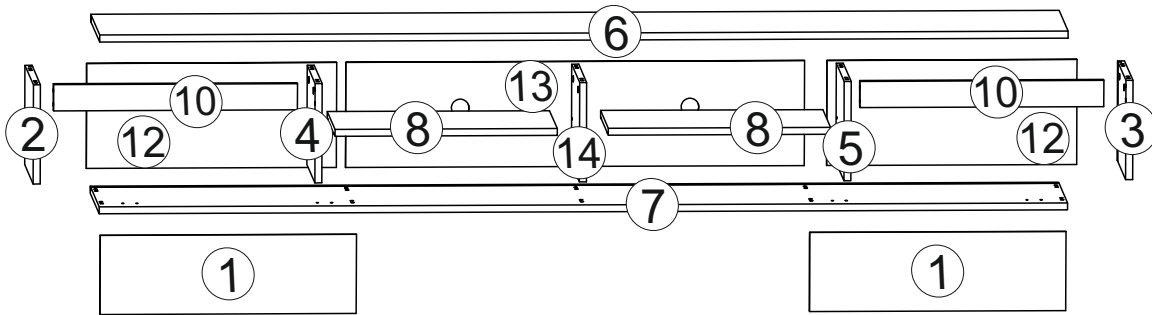


2x

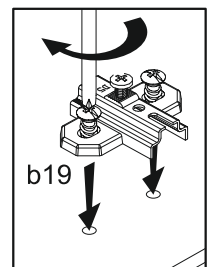
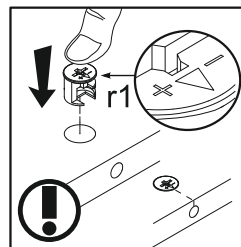
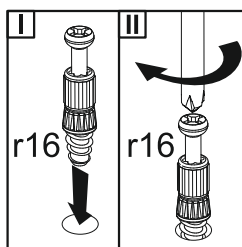
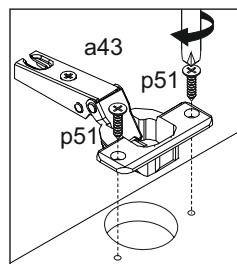
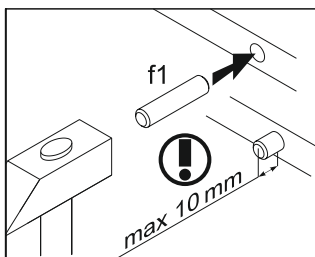
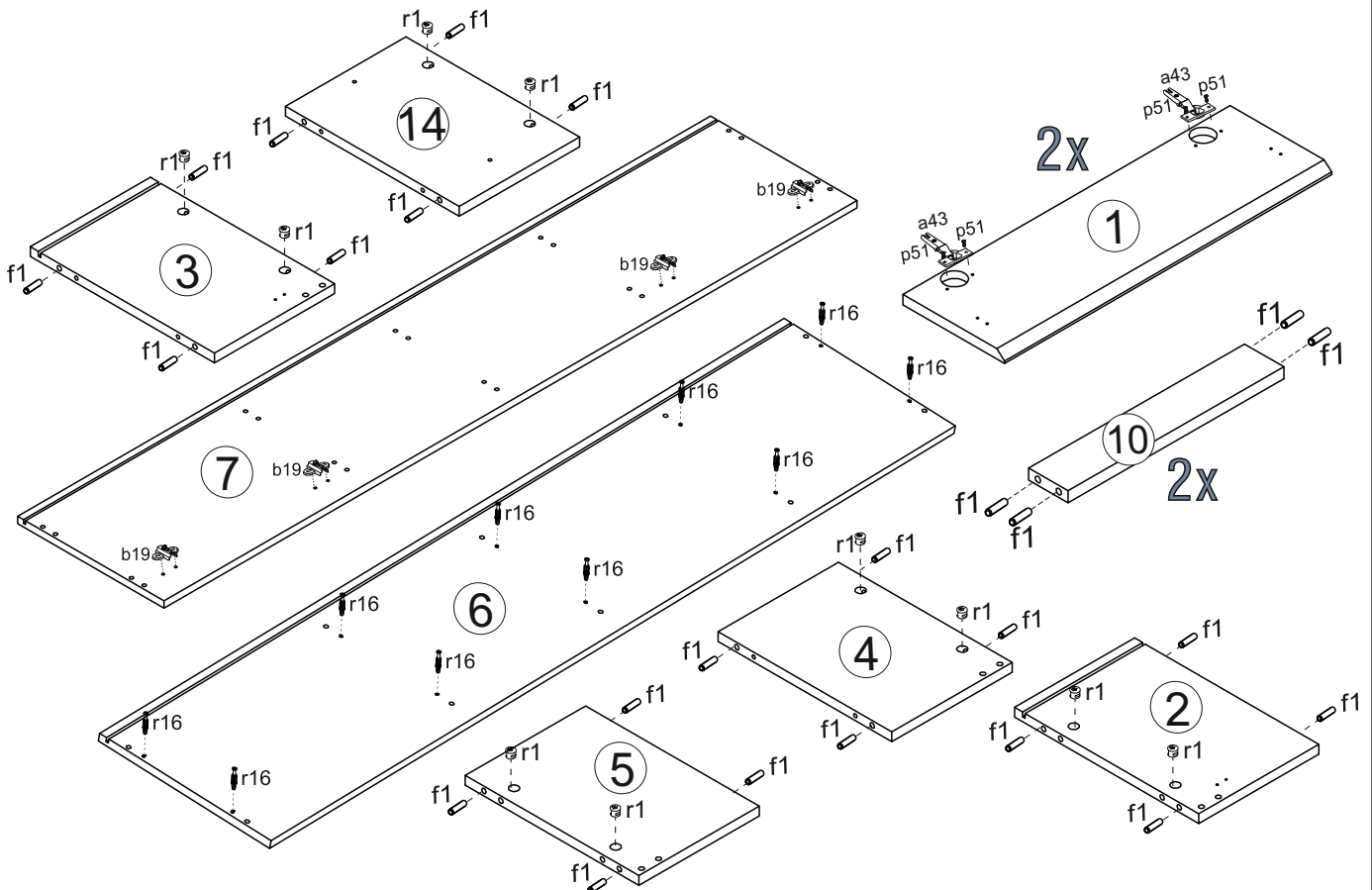
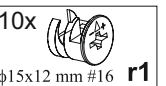
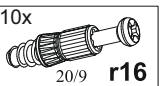
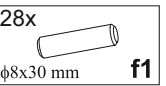
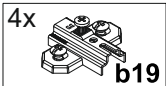
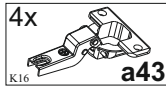




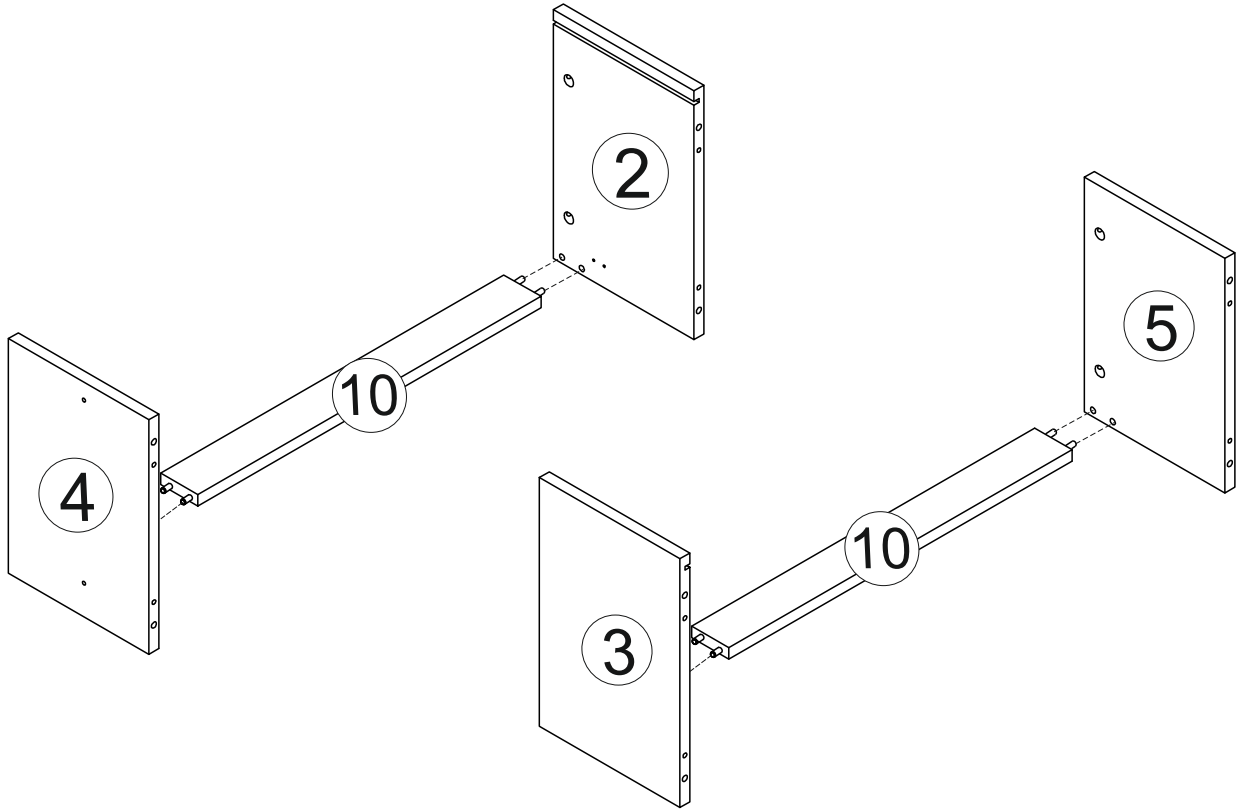
TV stand



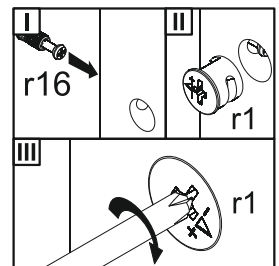
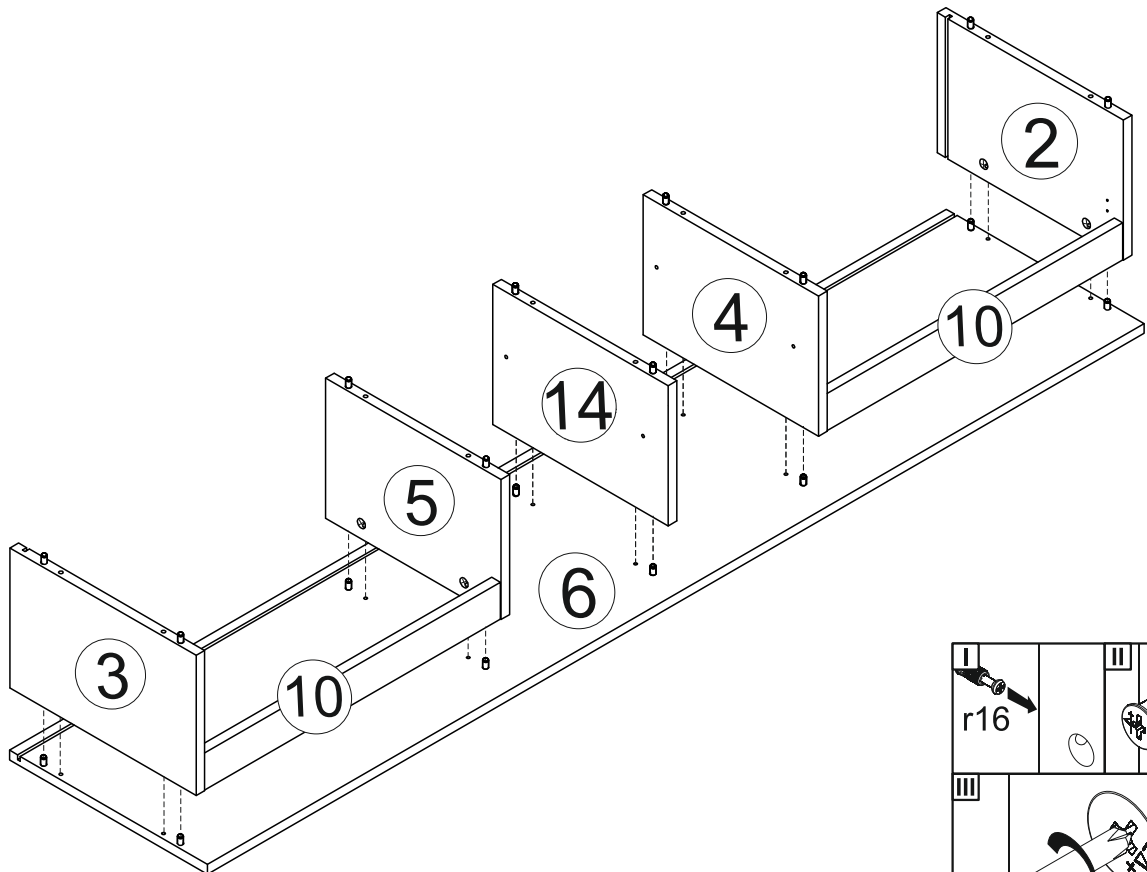
A	B	C		D	A	B	C		D
1	LU1-002	582	181	2/2	7	LU1-205	2200	370	2/2
2	LU1-102	227	348	2/2	8	LU1-304	503	318	2/2
3	LU1-103	227	348	2/2	10	LU1-402	554	60	2/2
4	LU1-104	227	328	2/2	12	LU1-902	568	240	2/2
5	LU1-105	227	328	2/2	13	LU1-904	1042	240	2/2
6	LU1-204	2200	370	2/2	14	LU1-106	227	328	2/2



2

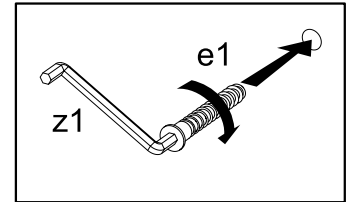
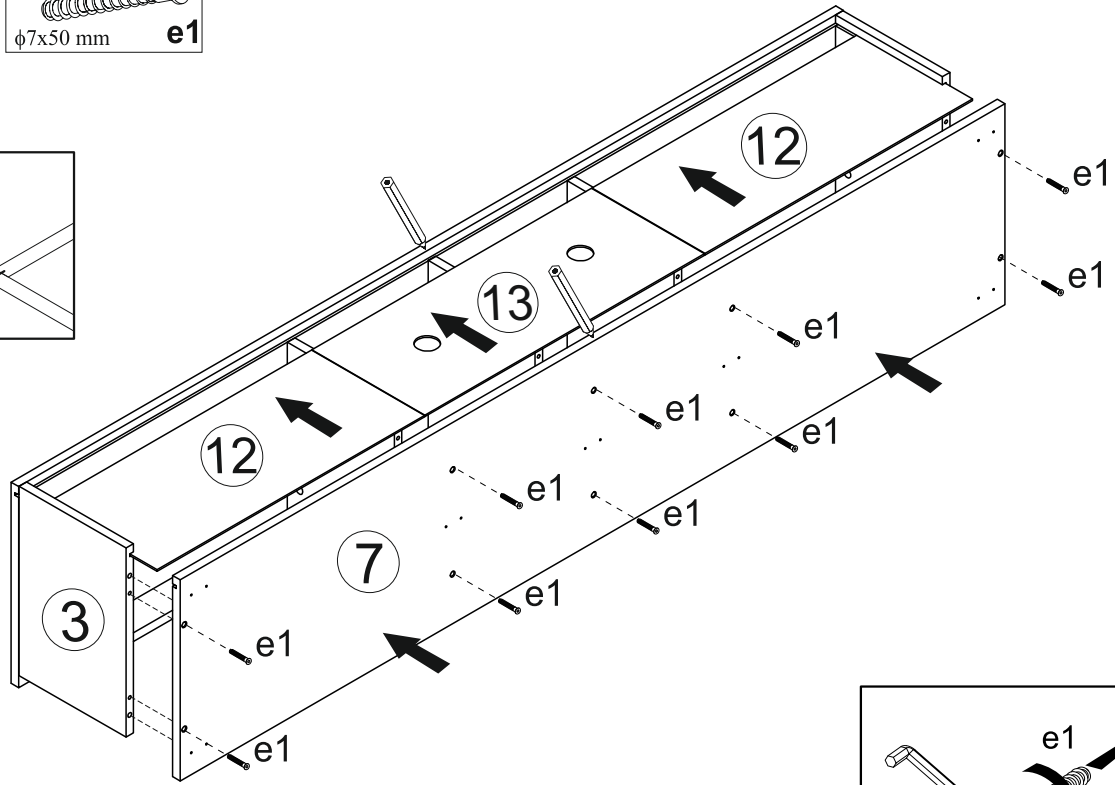
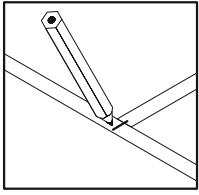


3



4

10x
φ7x50 mm e1



5

7x
60x60/25 mm k55

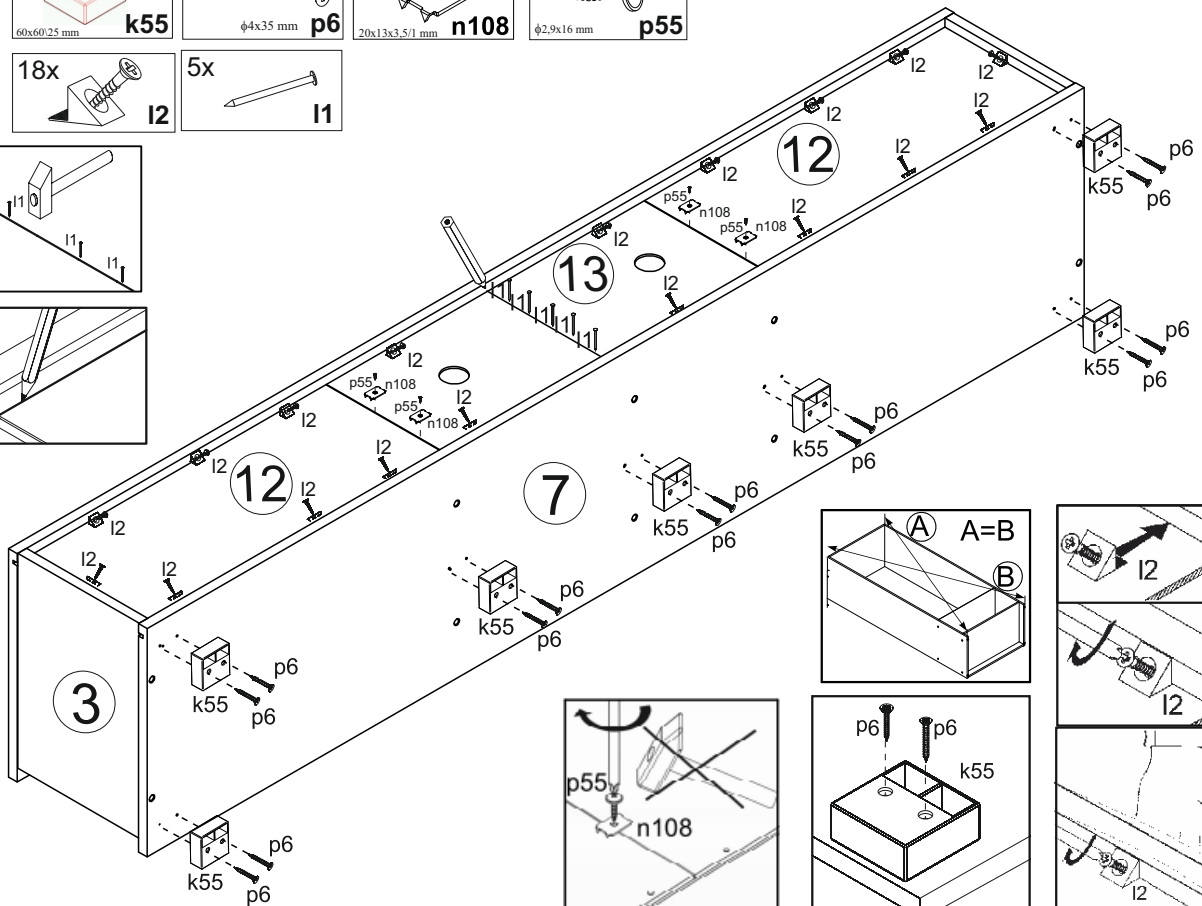
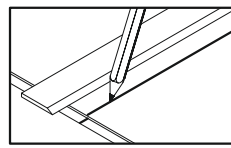
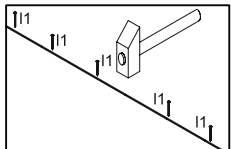
14x
φ4x35 mm p6

4x
20x13x3.5/1 mm n108


4x
φ2.9x16 mm p55

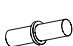
18x
I2


5x
I1




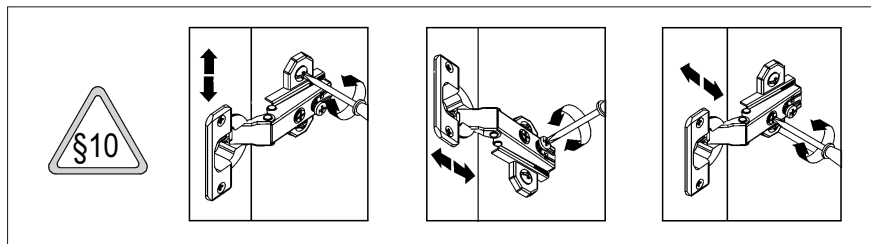
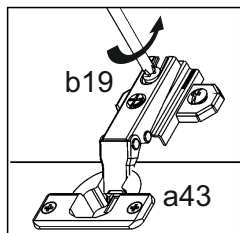
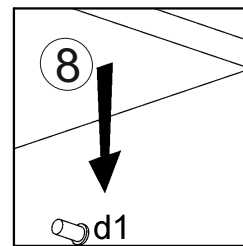
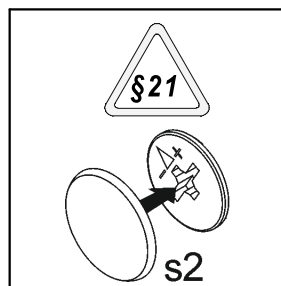
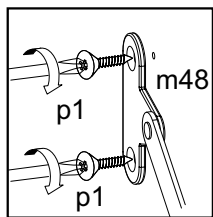
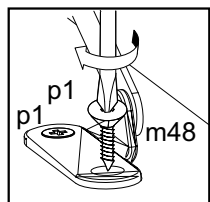
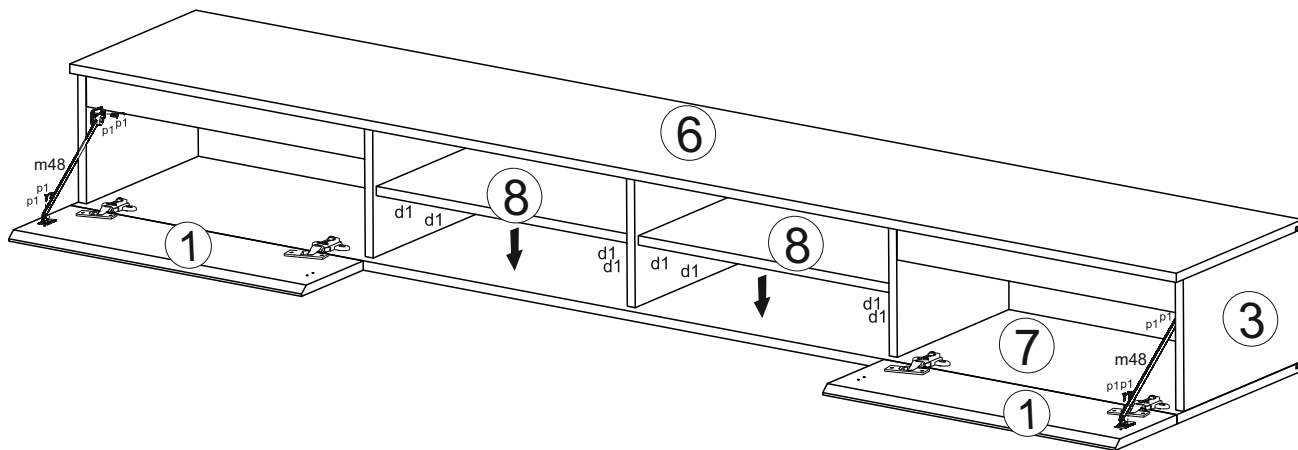
6

8x  $\phi 3,5 \times 13 \text{ mm}$ p1

8x  $\phi 5 \times 16 \text{ mm}$ d1

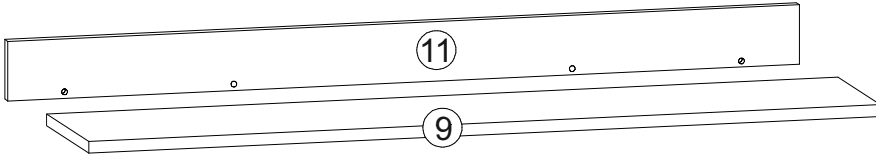
2x  L-230 m48

10x  $\phi 16$ s2



Shelf

max
3kg



A	B	C	D	
9	LU1-303	882	144	2/2
11	LU1-403	982	150	2/2

