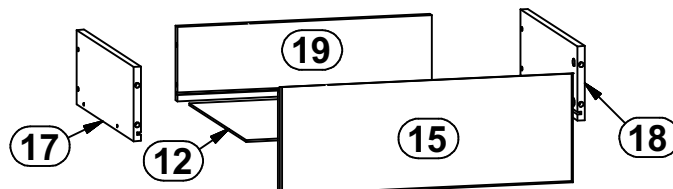
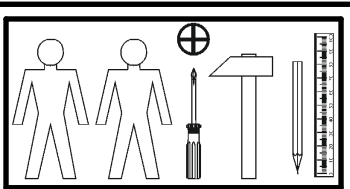
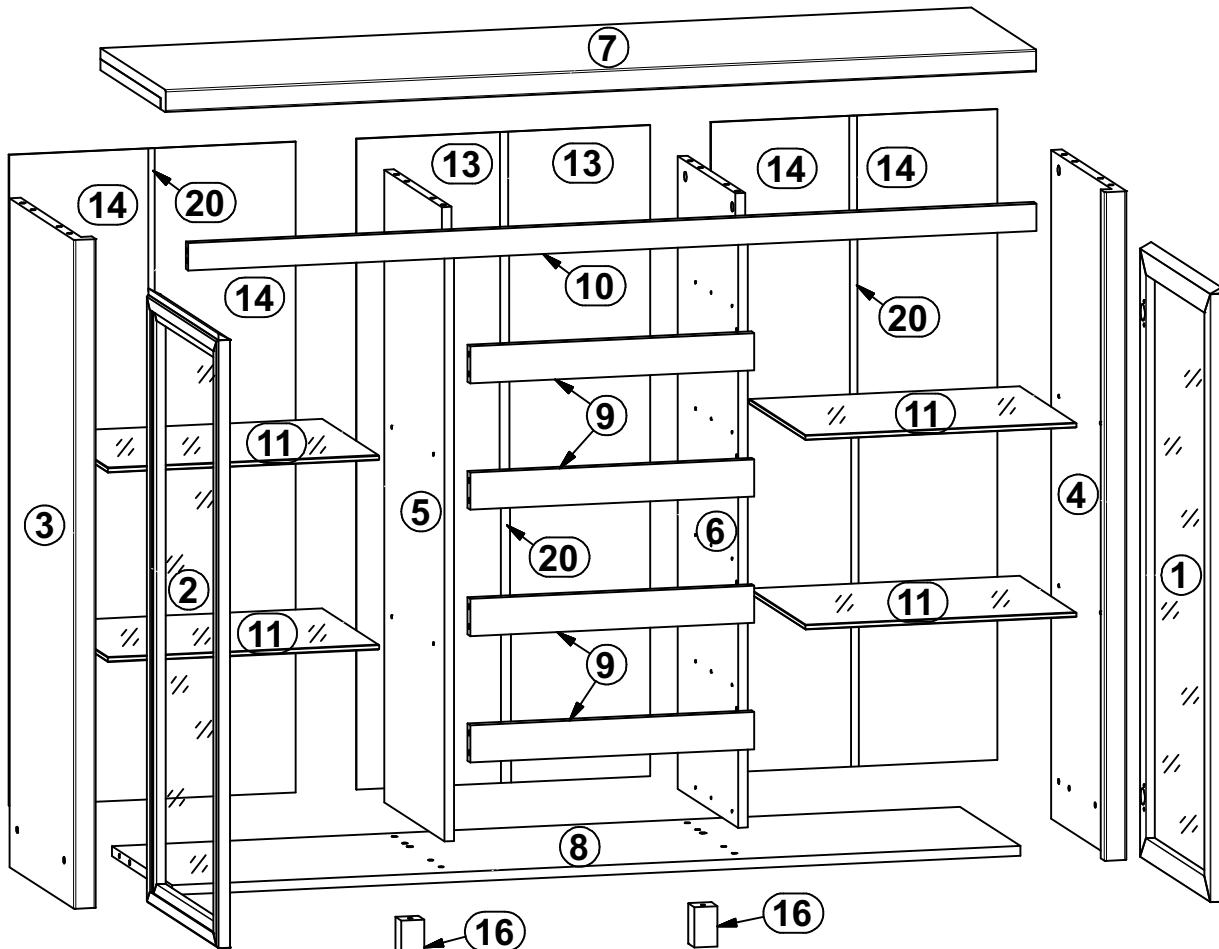
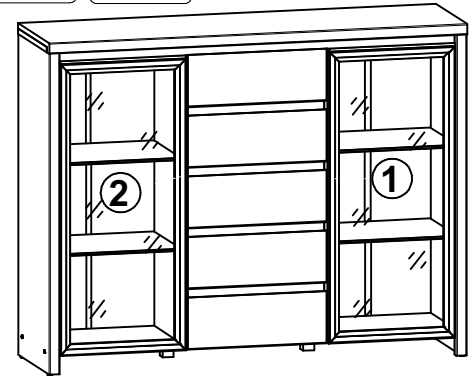
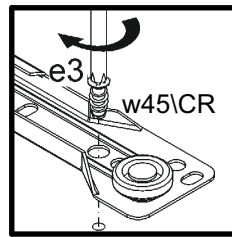
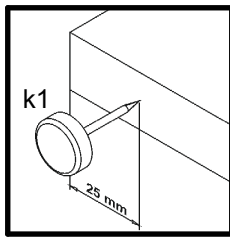
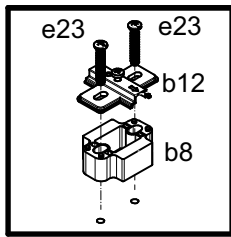
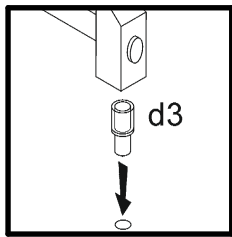
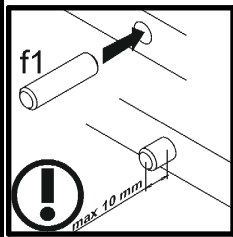
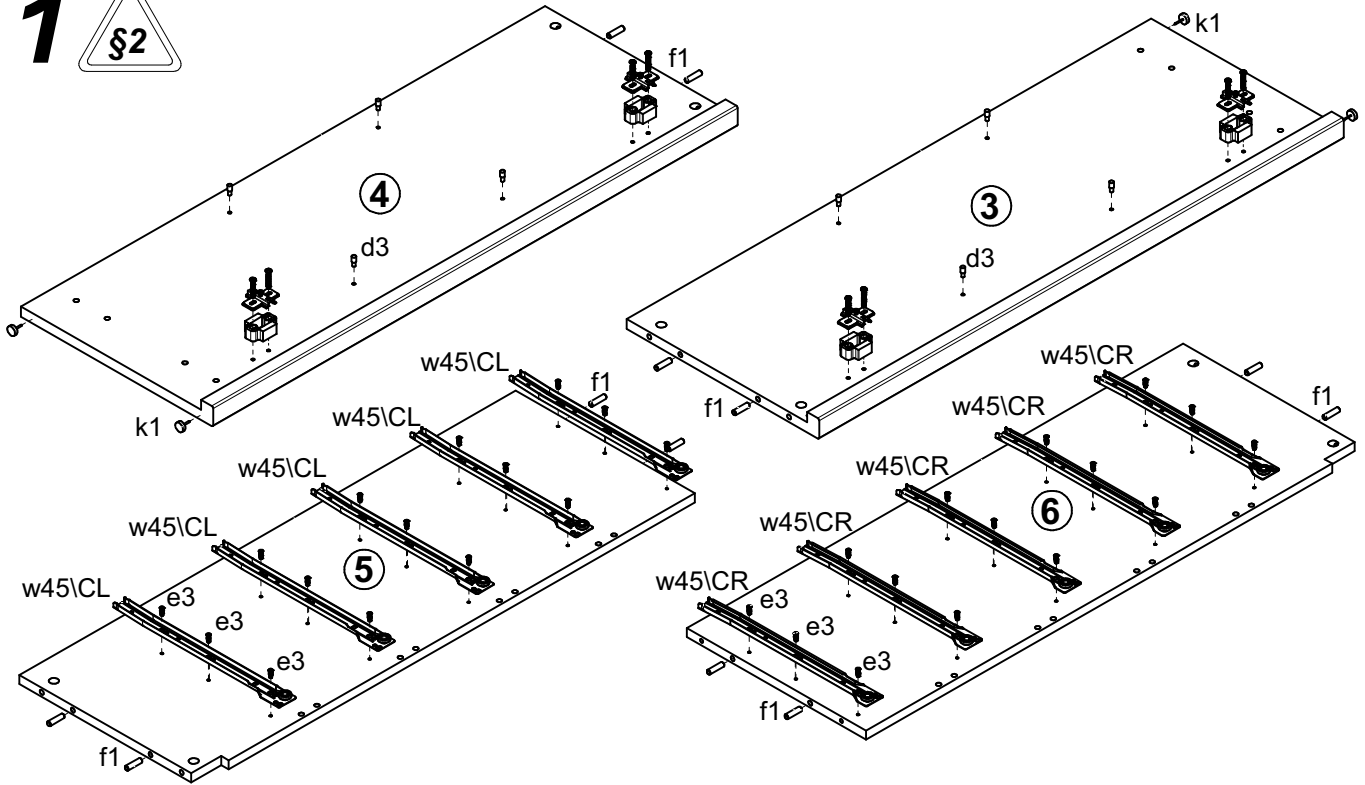


A	B	C	D	A	B	C	D		
1	S128-016	992	432	5/5	11	S128-502	446	345	3/5
2	S128-017	992	432	5/5	12	S128-9901	420	348	2/5
3	S128-130	1080	396	1/5	13	S128-1908	1051	241	1/5
4	S128-131	1080	396	1/5	14	S128-1909	1051	235	1/5
5	S128-132	1022	369	1/5	15	S128-070	482	176	4/5
6	S128-133	1022	369	1/5	16	ZN1-501	65	38	1/5
7	S128-204	1432	399	2/5	17	BP-503	350	120	2/5
8	S128-302	1395	370	2/5	18	BP-504	350	120	2/5
9	S128-404	467	60	1/5	19	ZP-5505	410	120	2/5
10	S128-406	1395	44	2/5	20	Lh-1021	1021	14	1/5

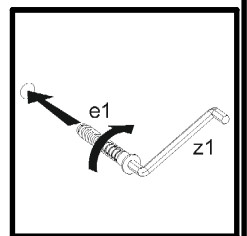
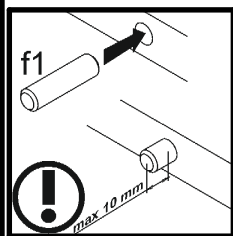
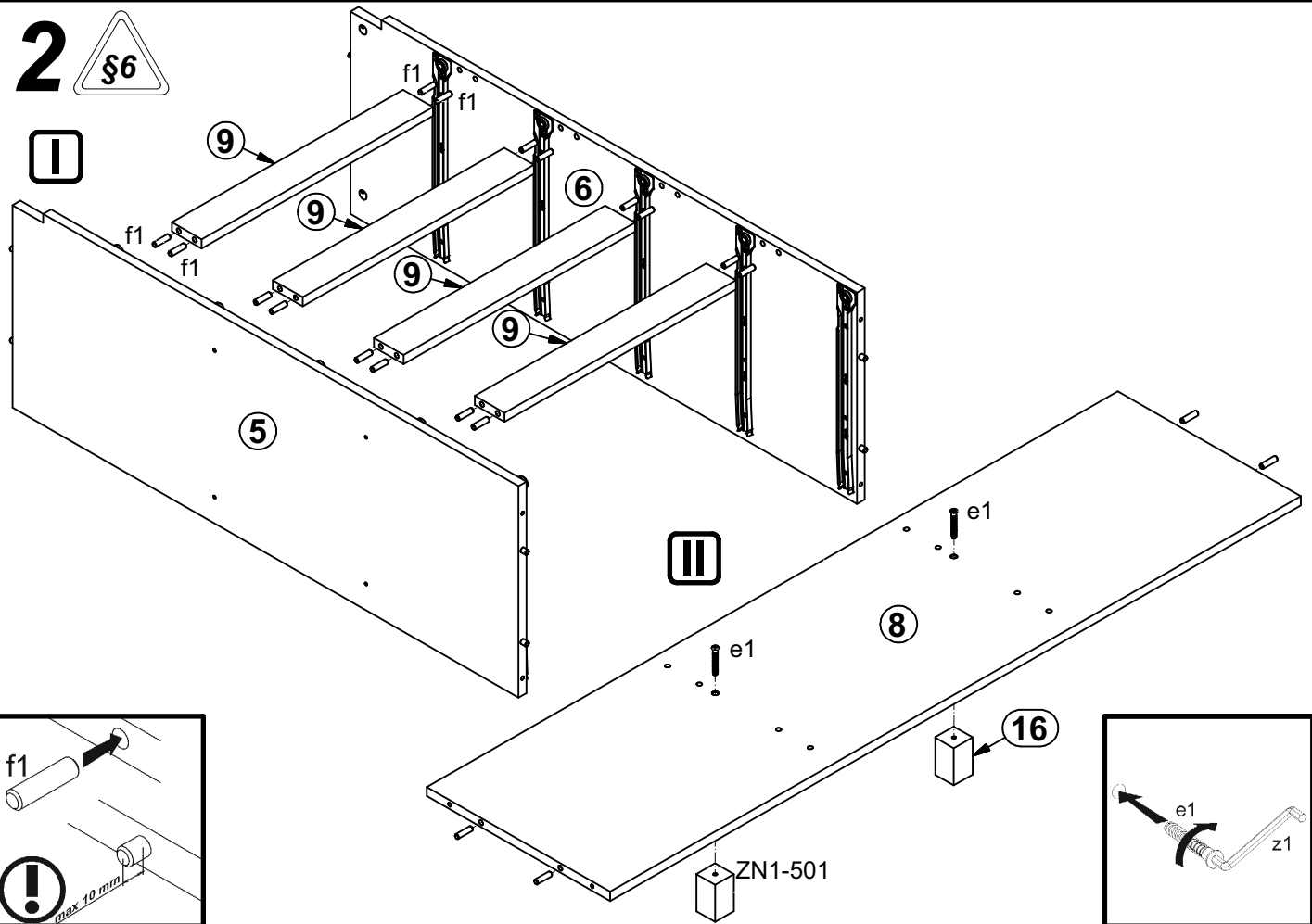


4x		4x		4x		16x		10x		30x		20x		8x		36x	
20x		4x		90x		28x		28x		5x		5x		5x			
5x		4x		4x		1x		1x		1x							

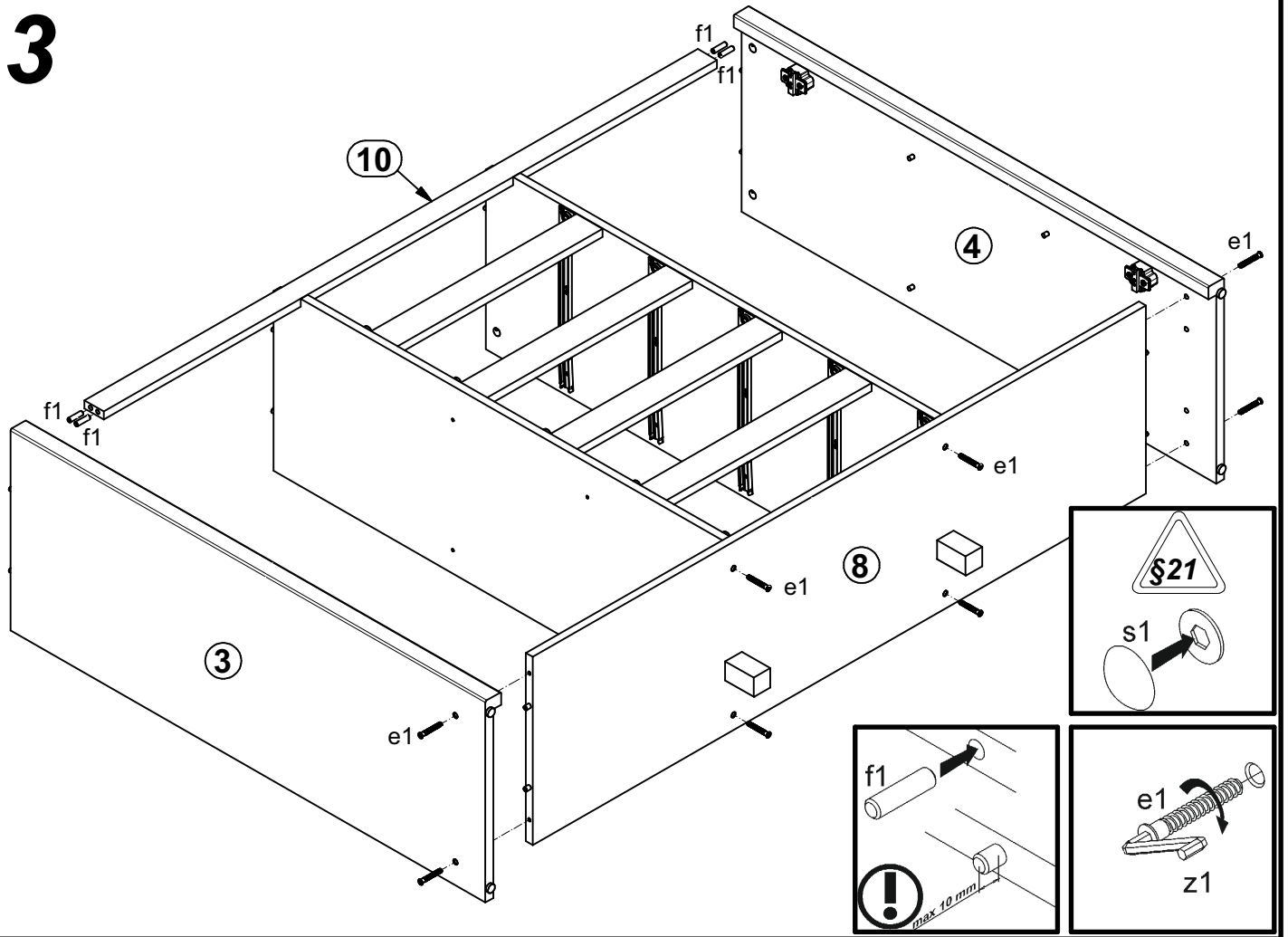
1



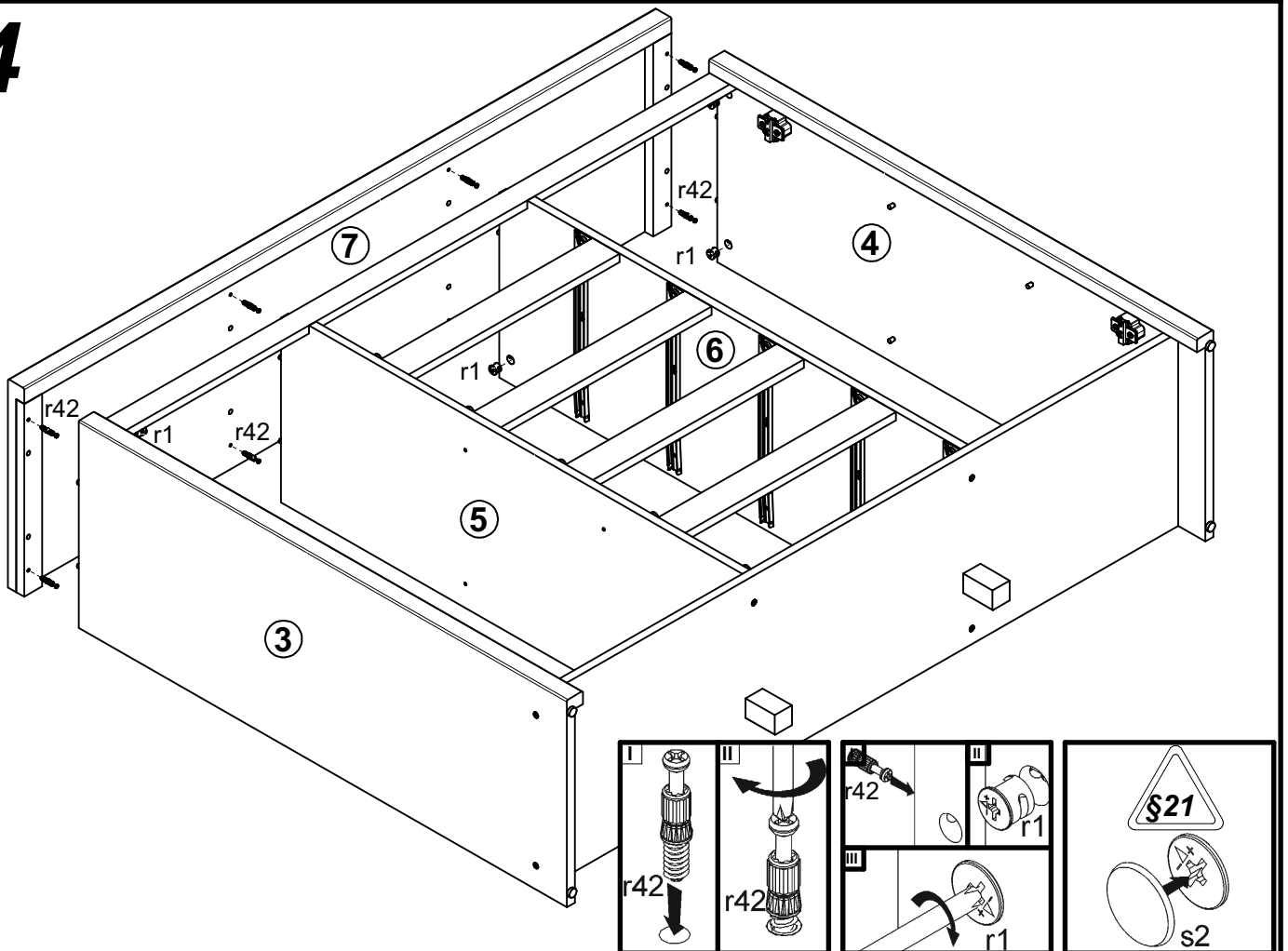
2



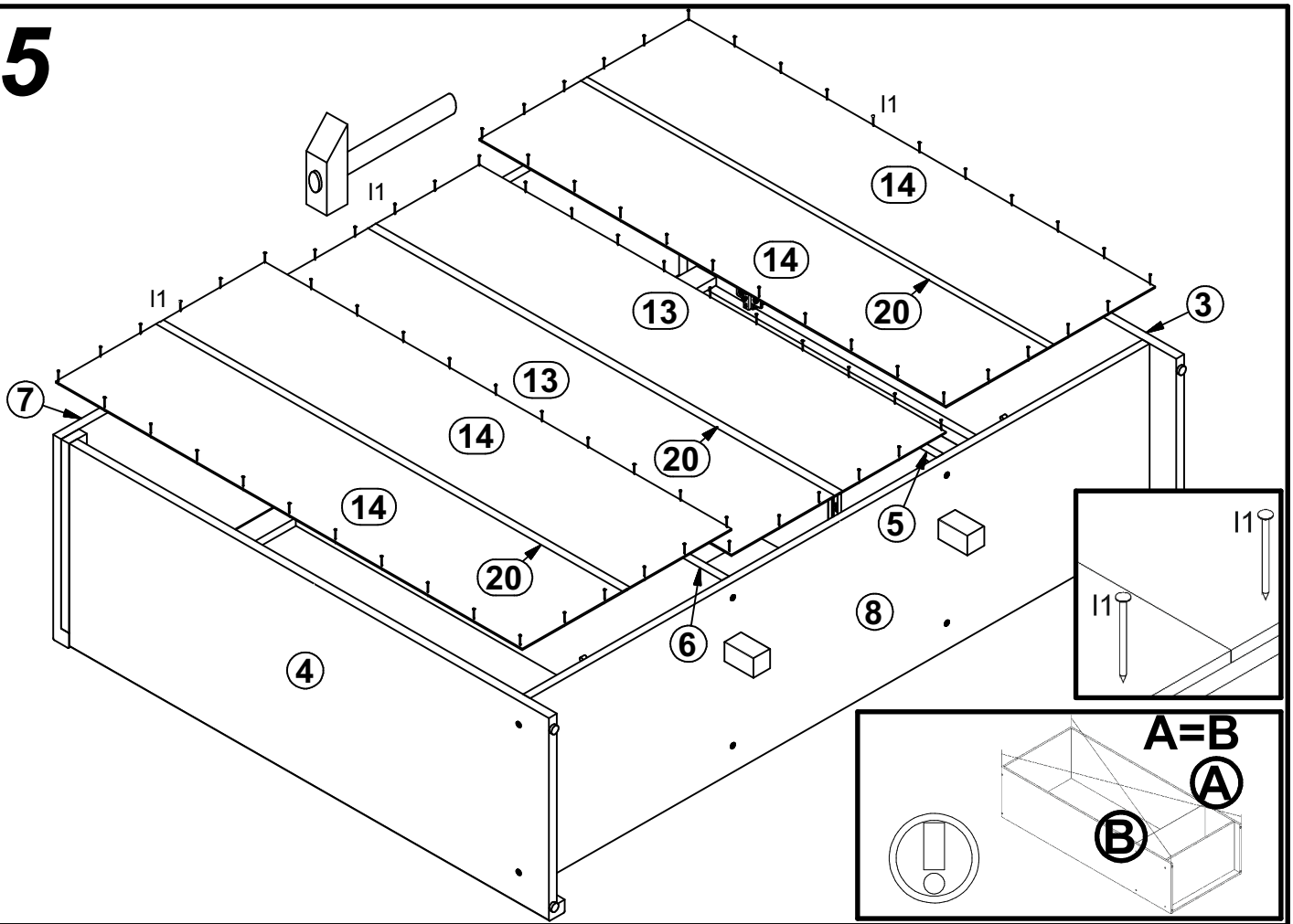
3



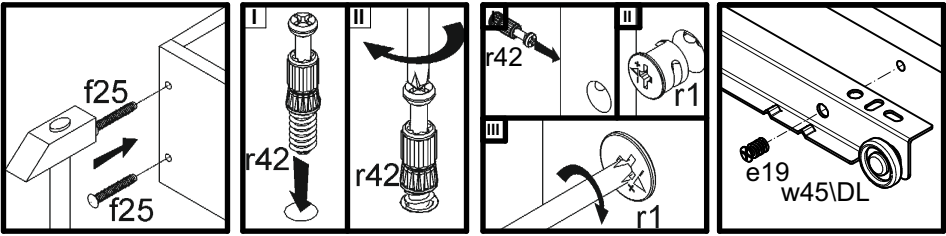
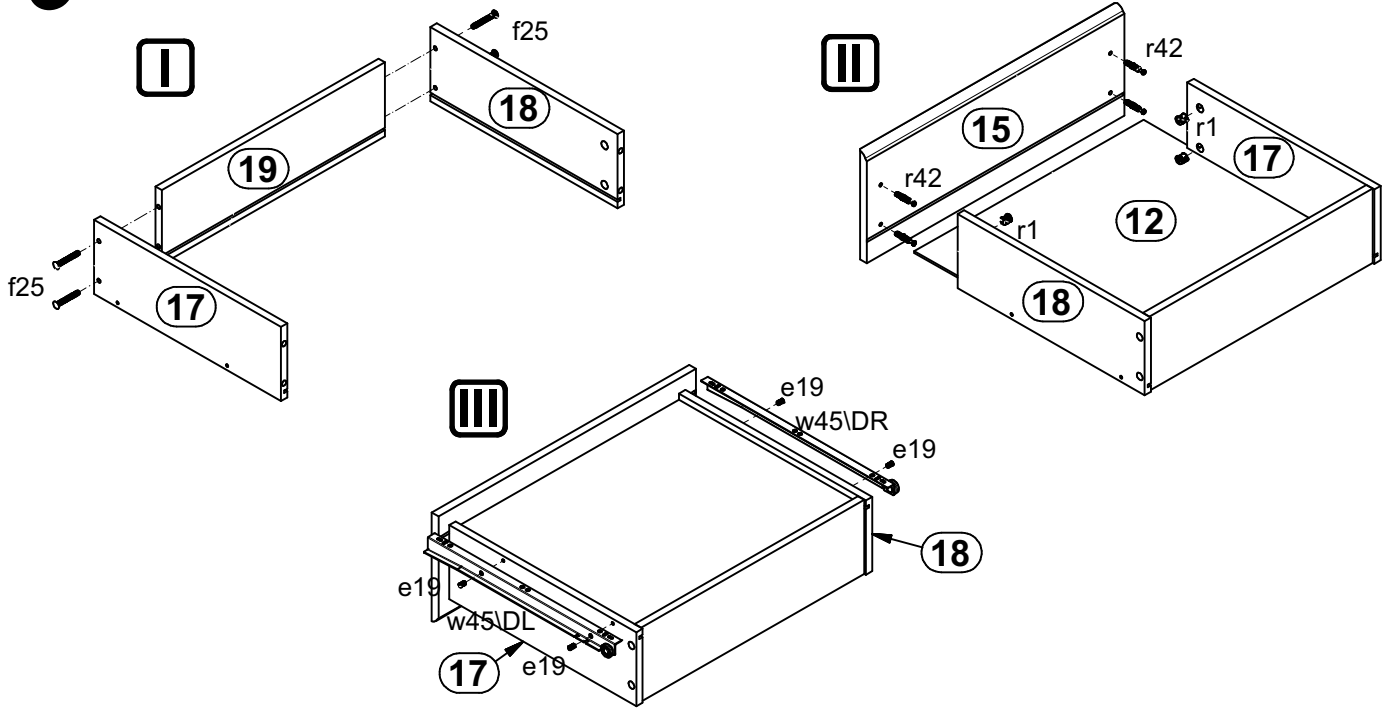
4



5



6



7

