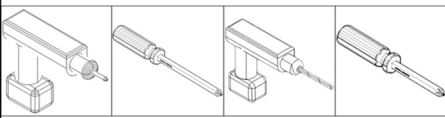
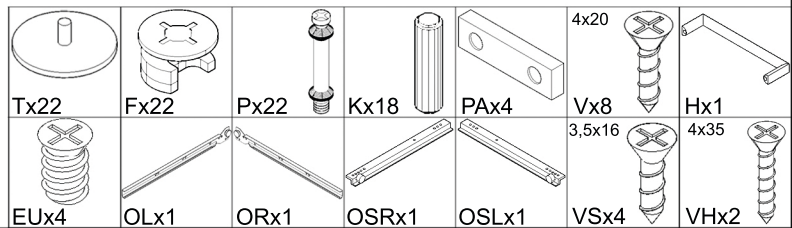
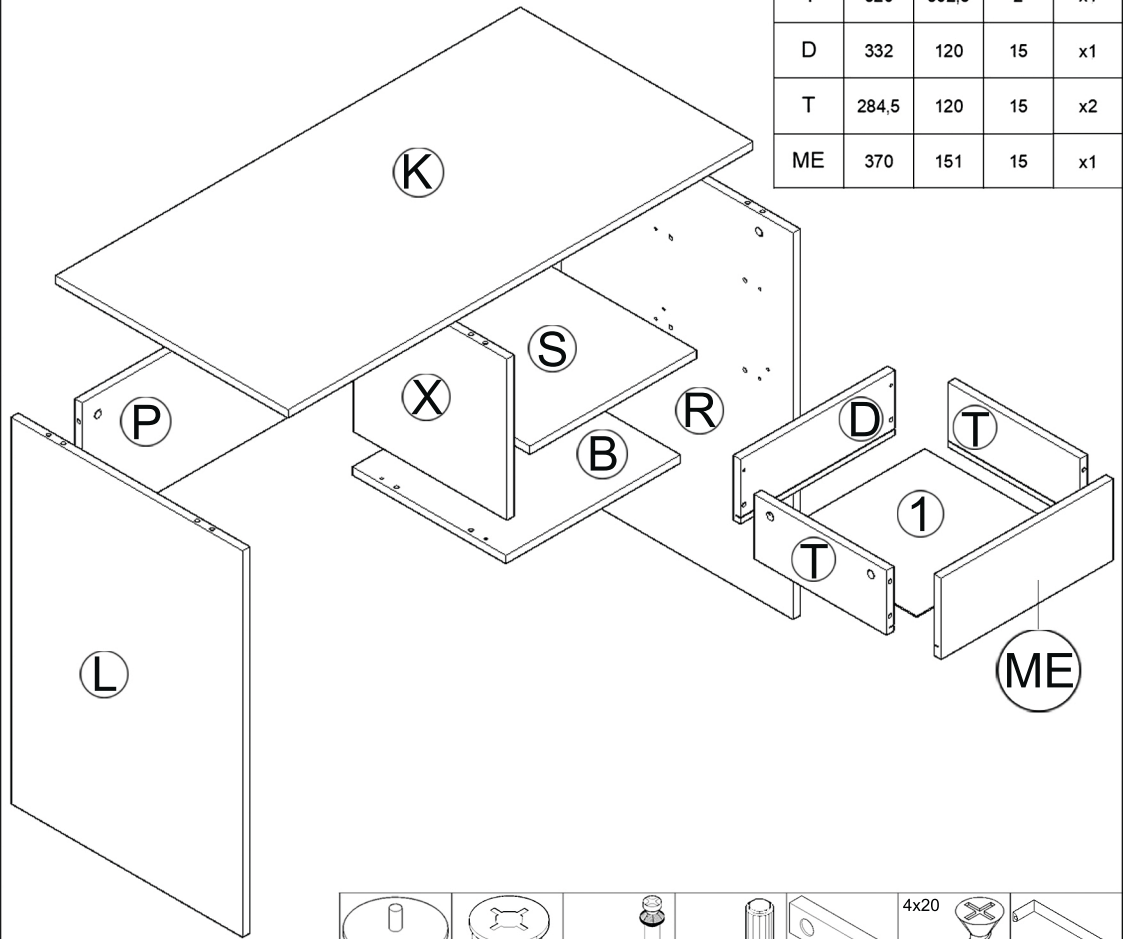


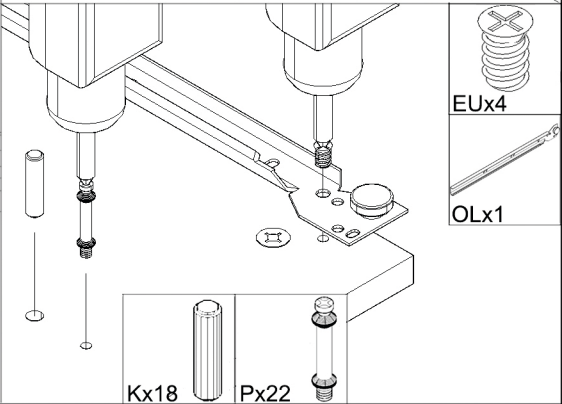
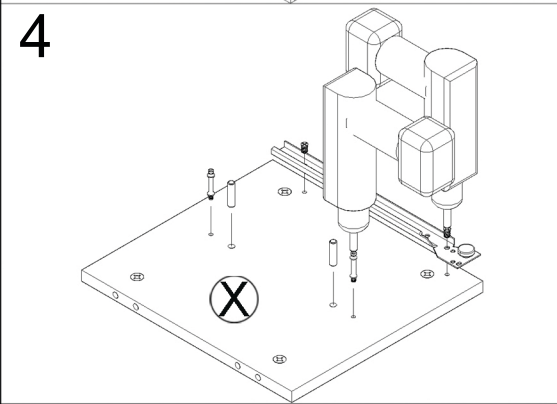
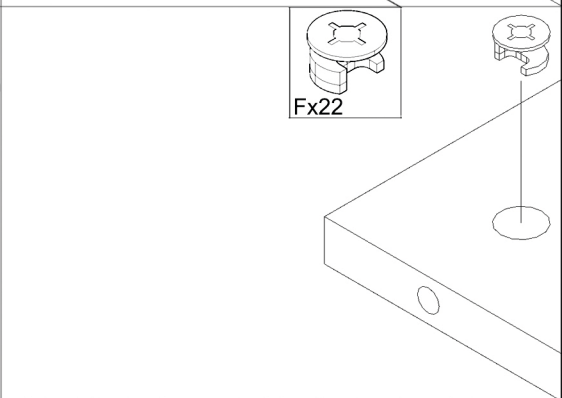
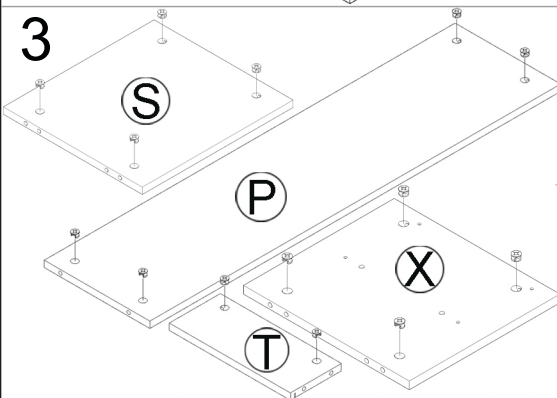
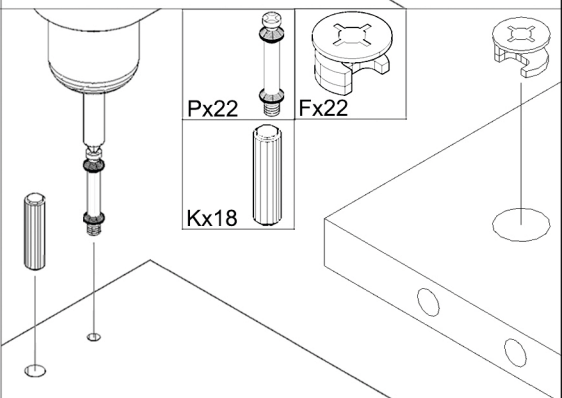
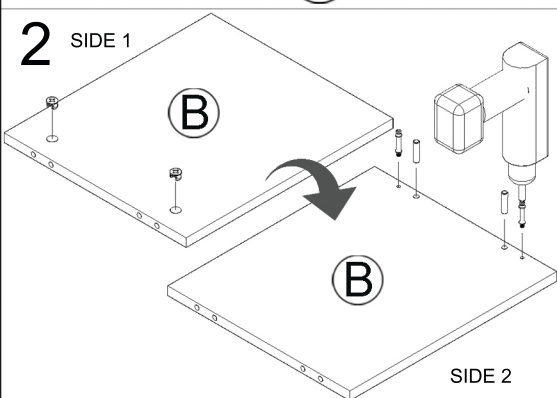
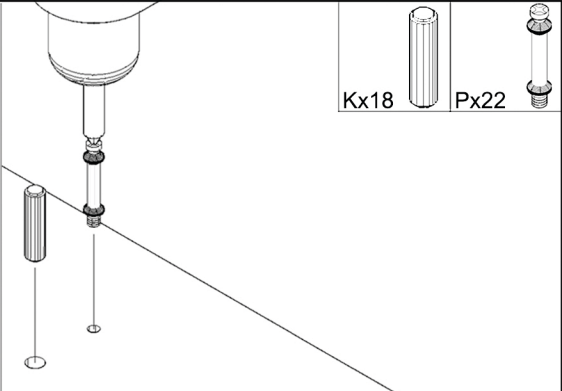
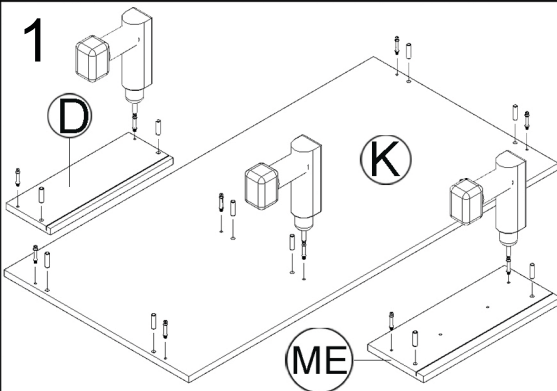
40 minutes

USING TOOLS

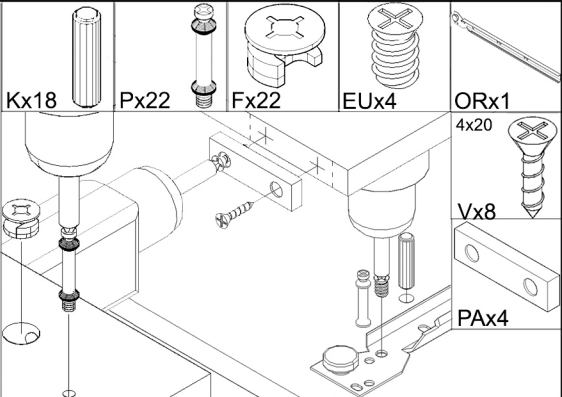
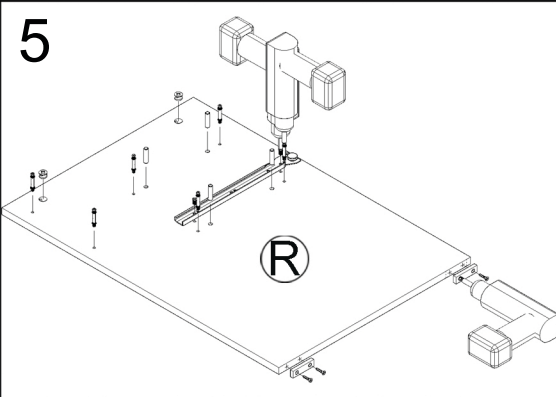


| | W mm | D mm | T mm | |
|----|---------|---------|---------|----|
| R | 720 | 498 | 15 | x1 |
| L | 720 | 498 | 15 | x1 |
| X | 330 | 310 | 15 | x1 |
| B | 375 | 330 | 15 | x1 |
| K | 1000 | 500 | 15 | x1 |
| P | 965 | 248 | 15 | x1 |
| S | 358 | 330 | 15 | x1 |
| 1 | 320 | 302,5 | 2 | x1 |
| D | 332 | 120 | 15 | x1 |
| T | 284,5 | 120 | 15 | x2 |
| ME | 370 | 151 | 15 | x1 |

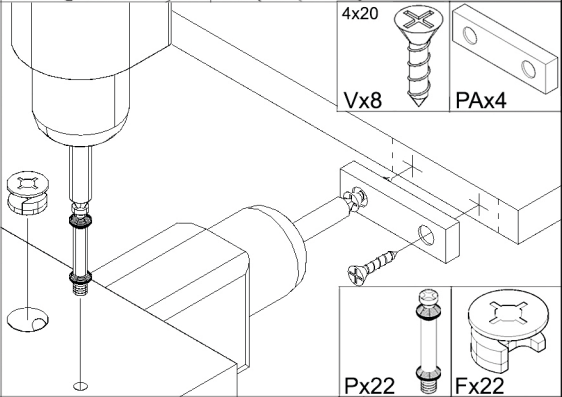
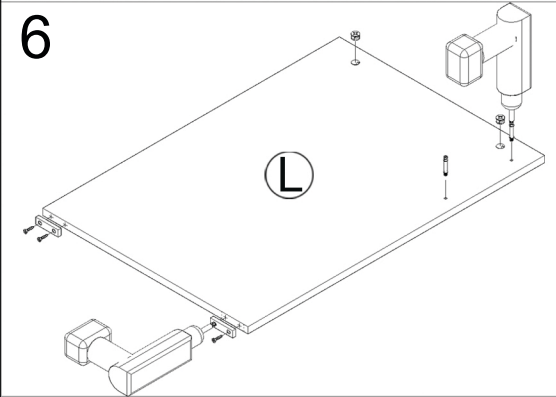




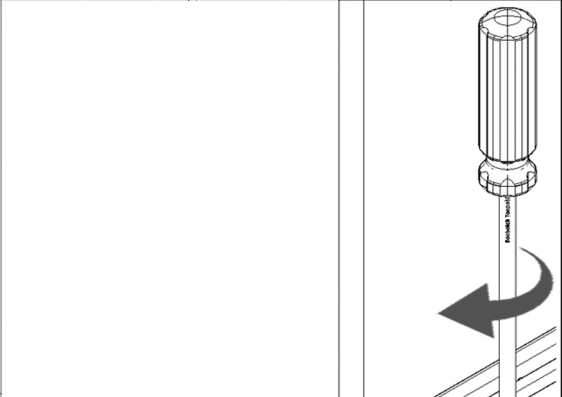
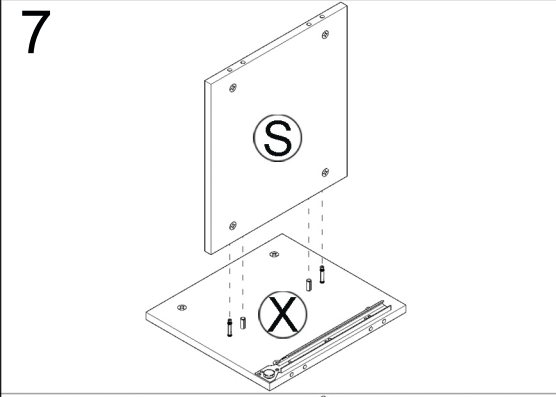
5



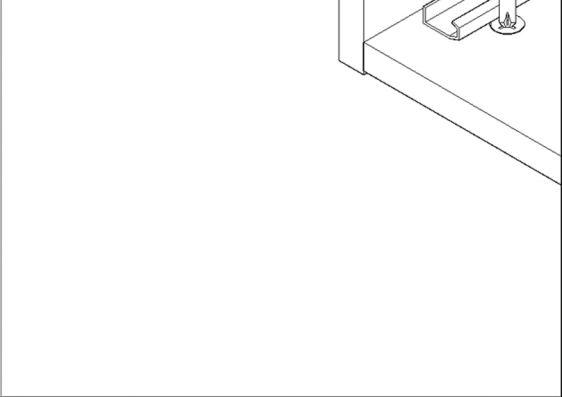
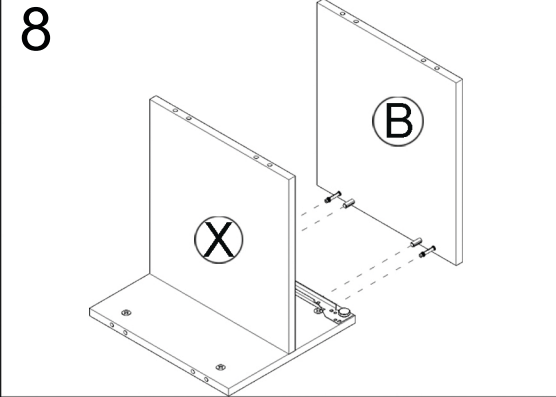
6

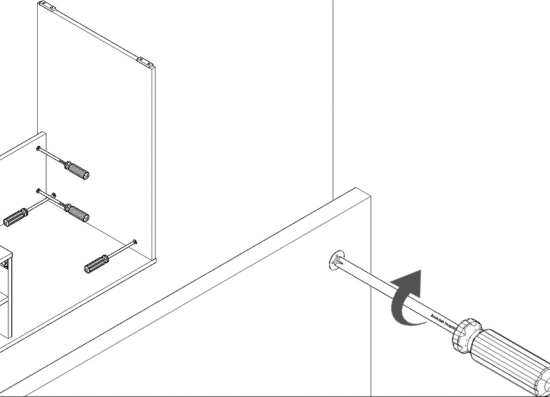
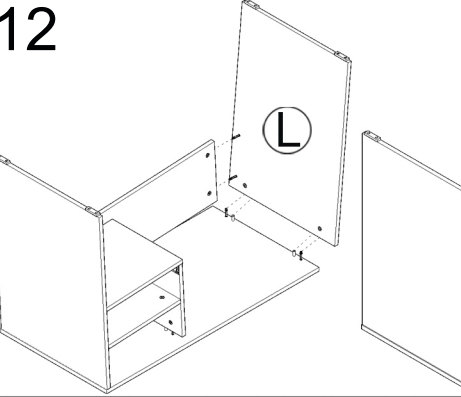
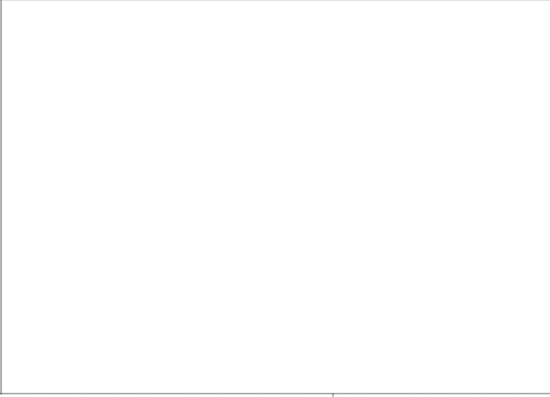
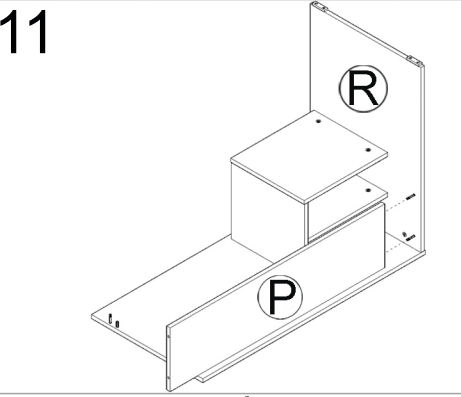
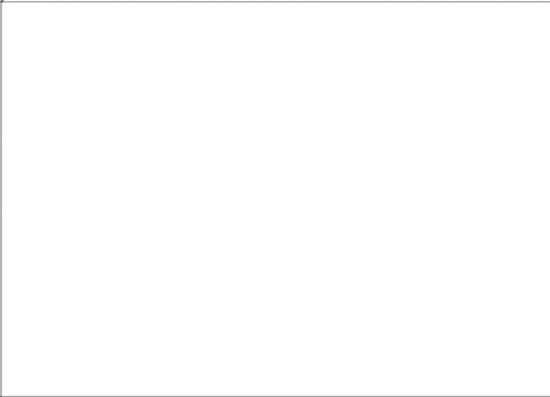
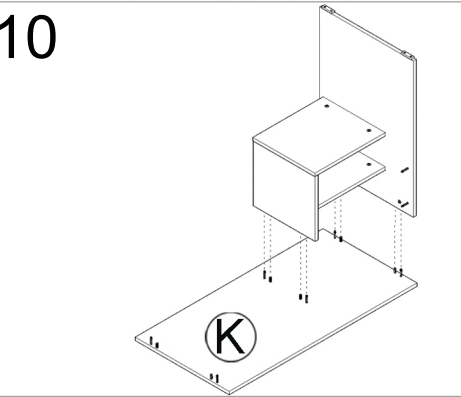
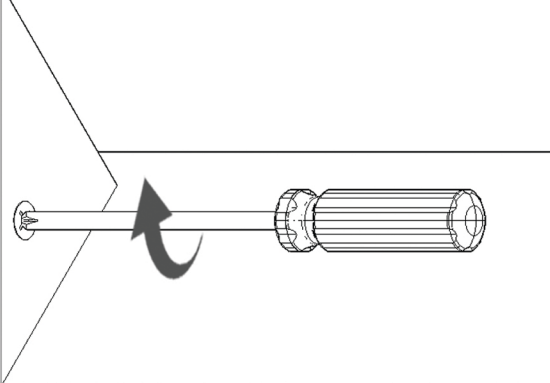
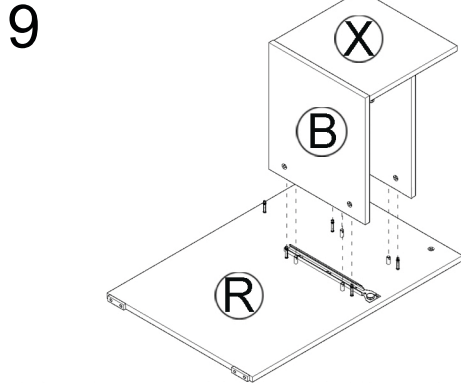


7

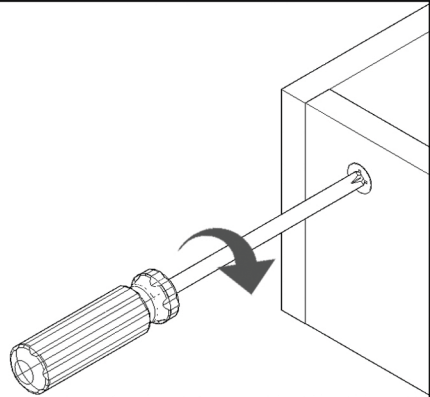
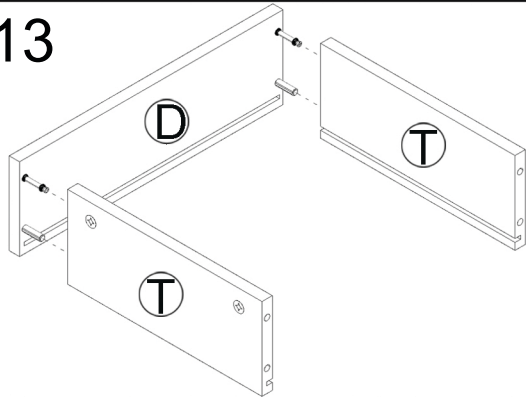


8

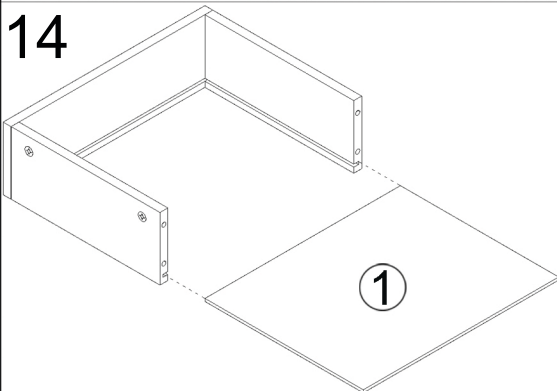




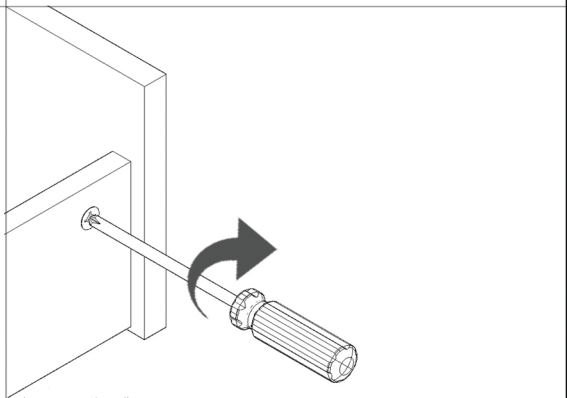
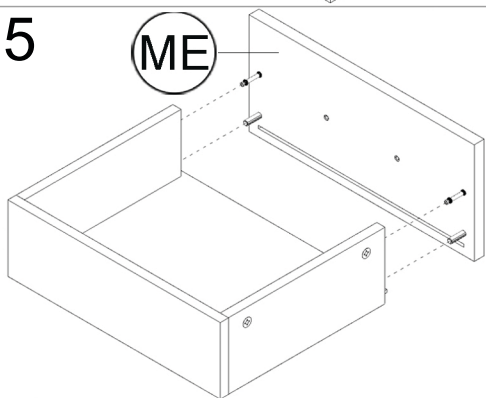
13



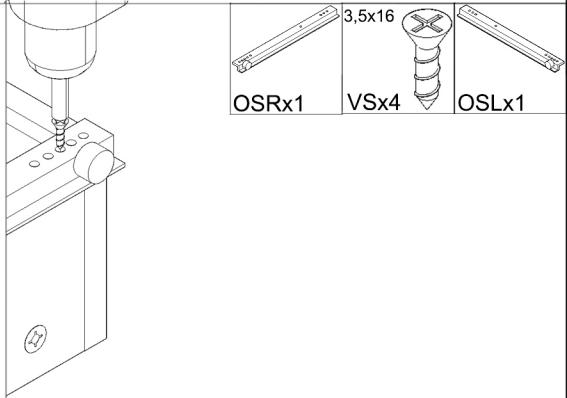
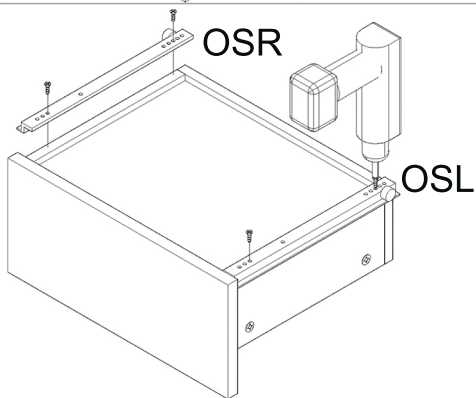
14



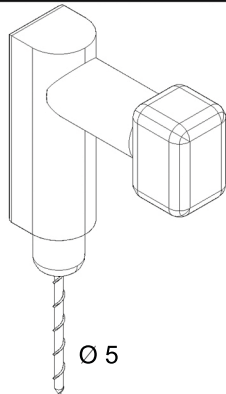
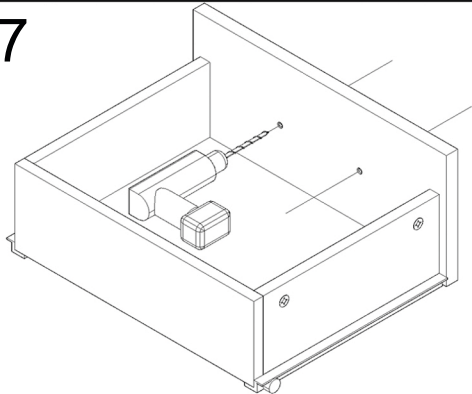
15



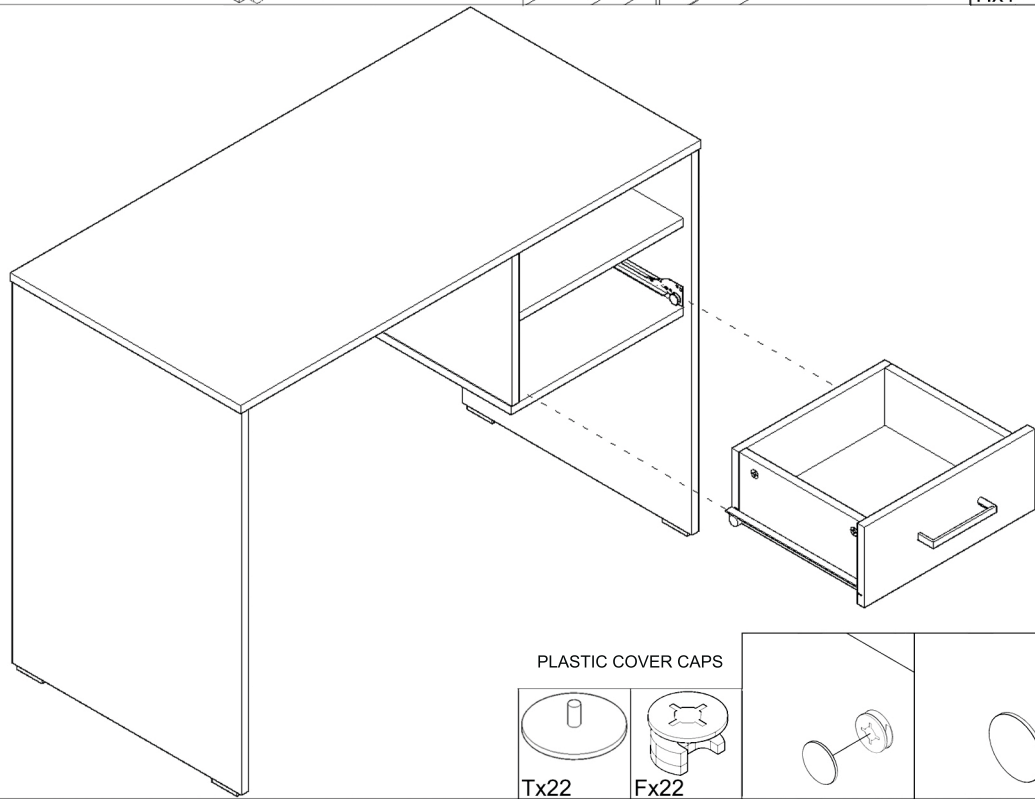
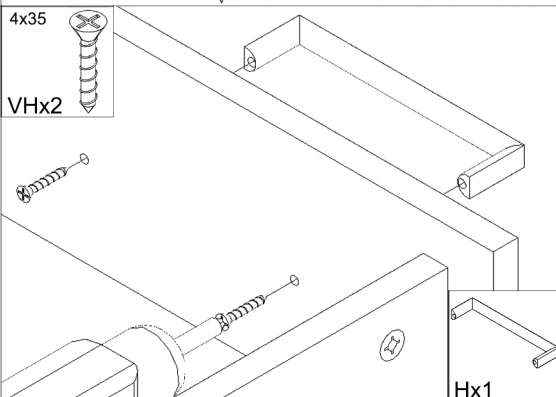
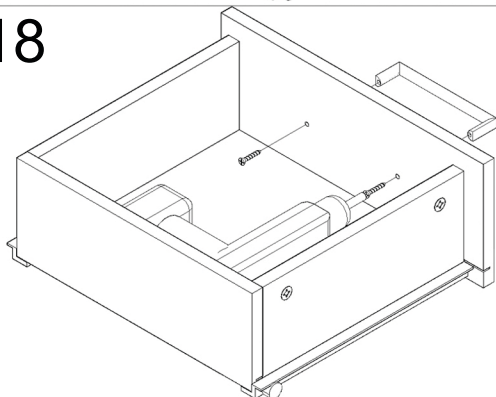
16



17



18



PLASTIC COVER CAPS



Tx22

Fx22

