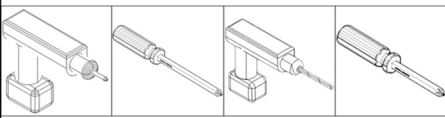
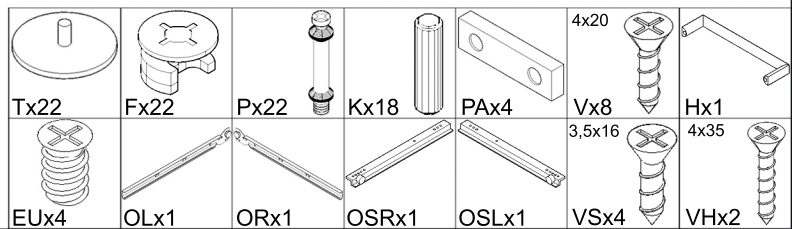
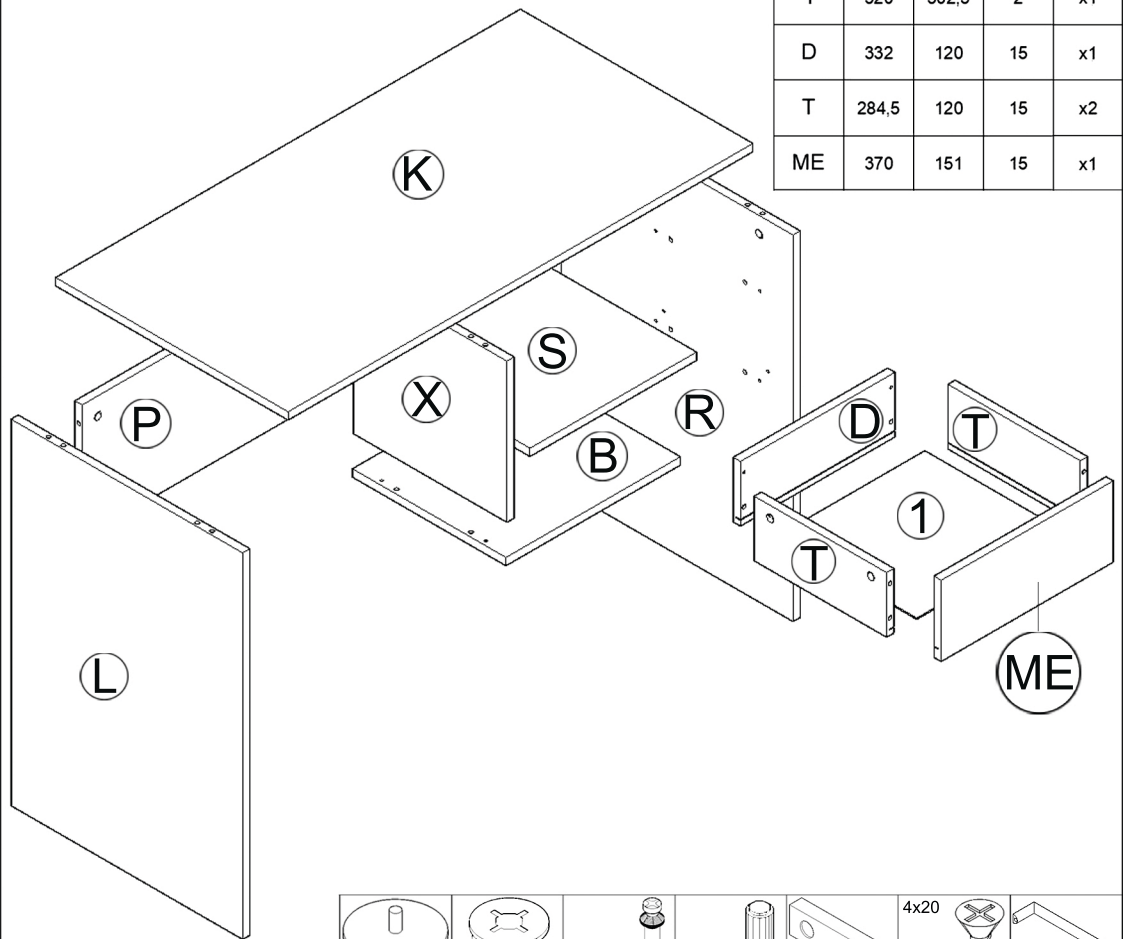


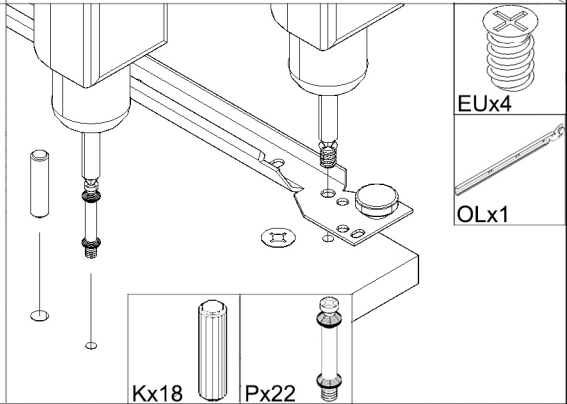
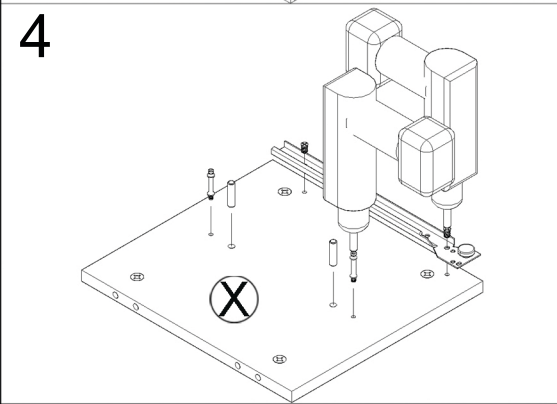
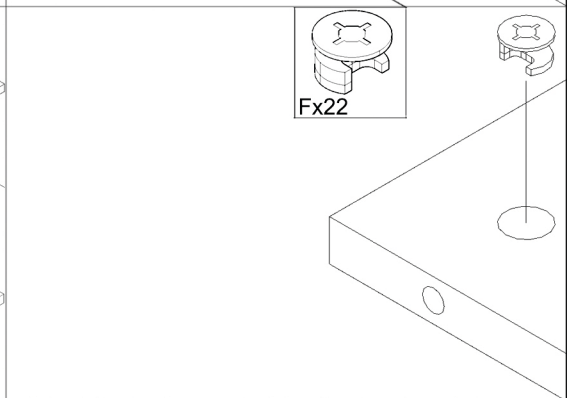
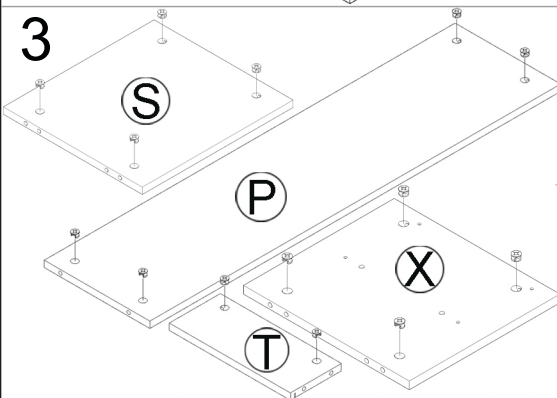
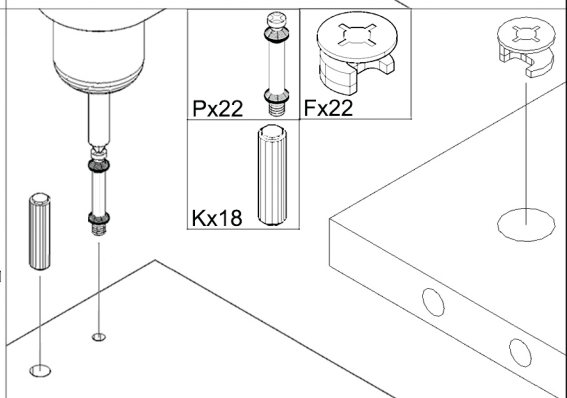
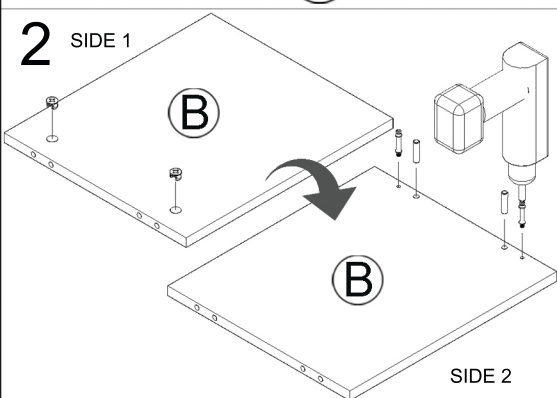
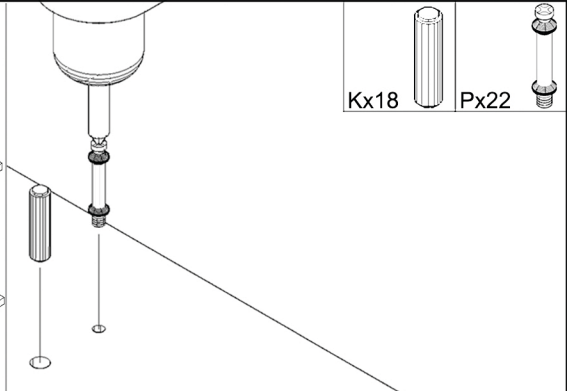
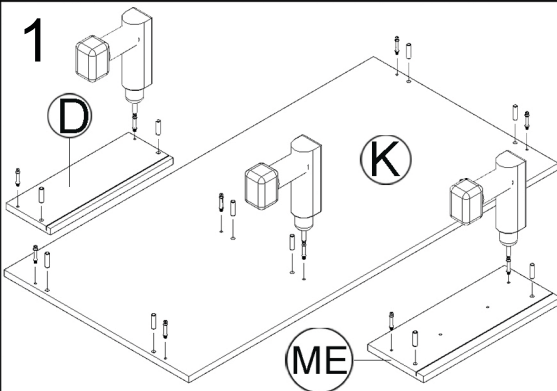
40 minutes

USING TOOLS

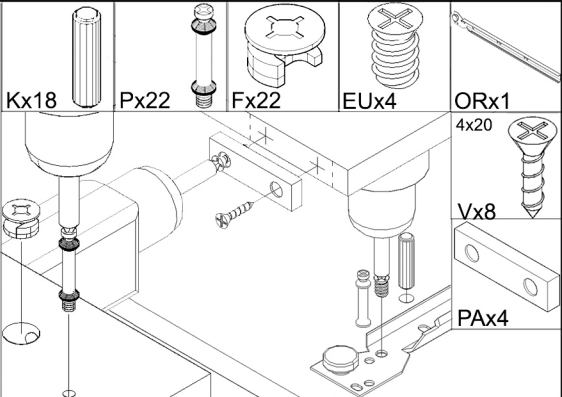
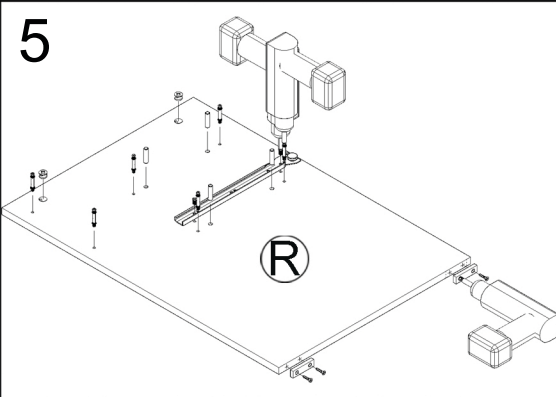


	W mm	D mm	T mm	
R	720	498	15	x1
L	720	498	15	x1
X	330	310	15	x1
B	375	330	15	x1
K	1000	500	15	x1
P	965	248	15	x1
S	358	330	15	x1
1	320	302,5	2	x1
D	332	120	15	x1
T	284,5	120	15	x2
ME	370	151	15	x1

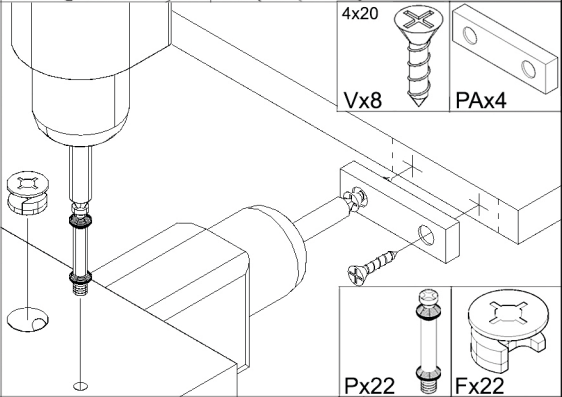
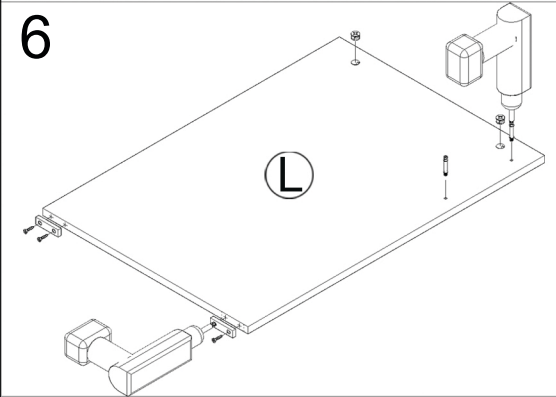




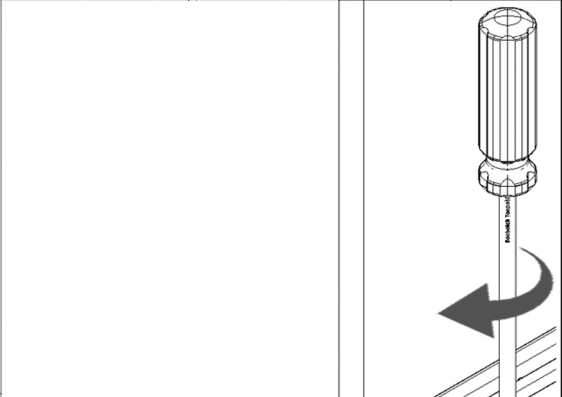
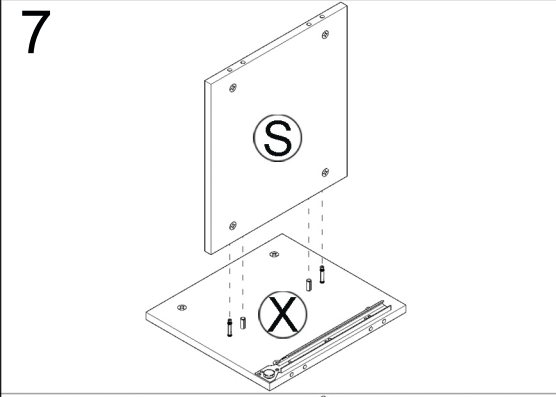
5



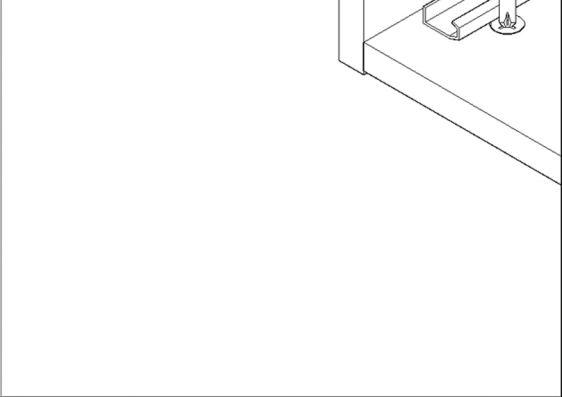
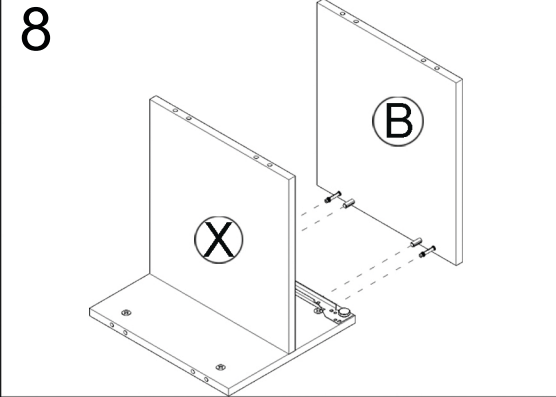
6

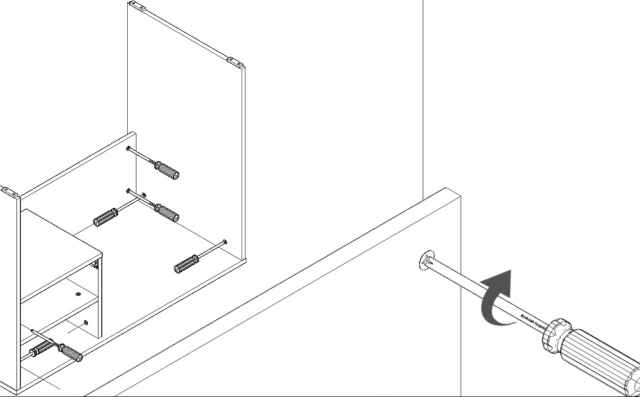
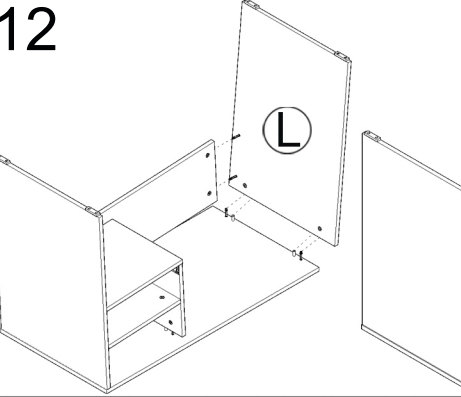
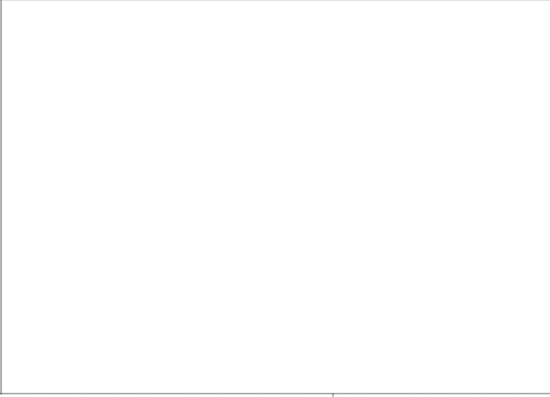
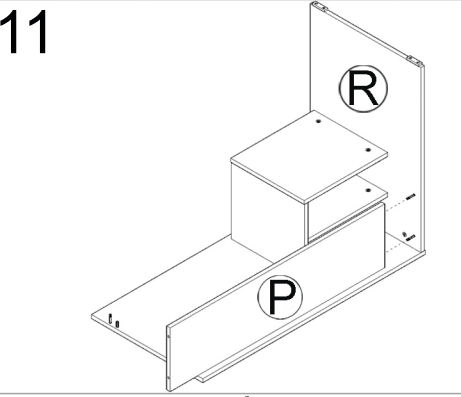
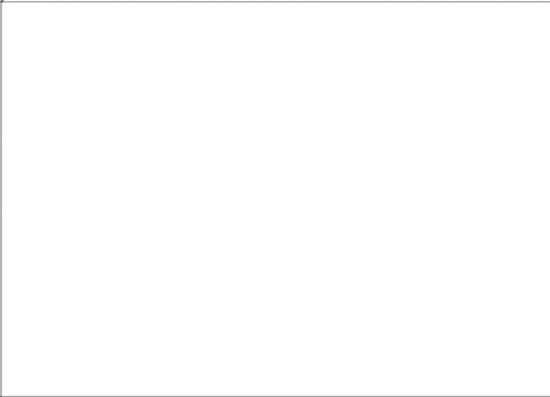
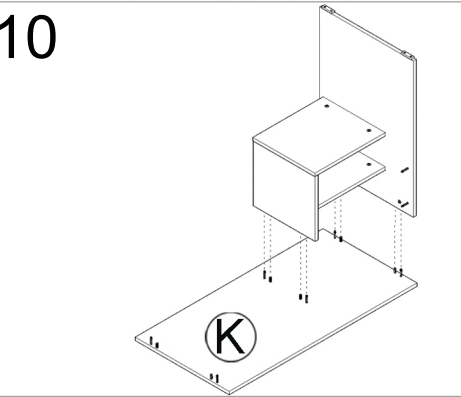
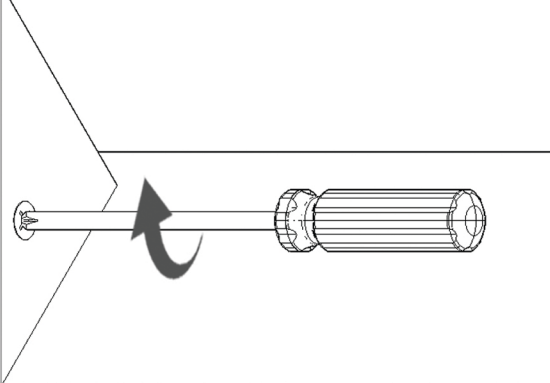
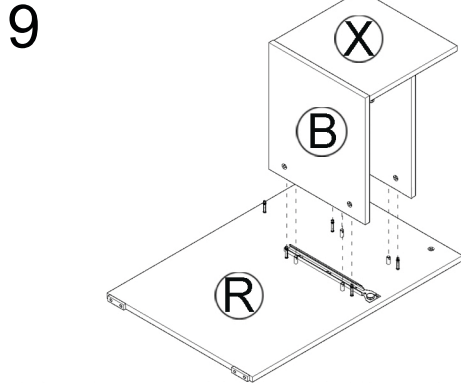


7

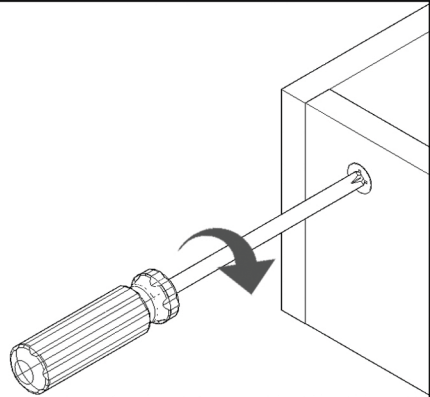
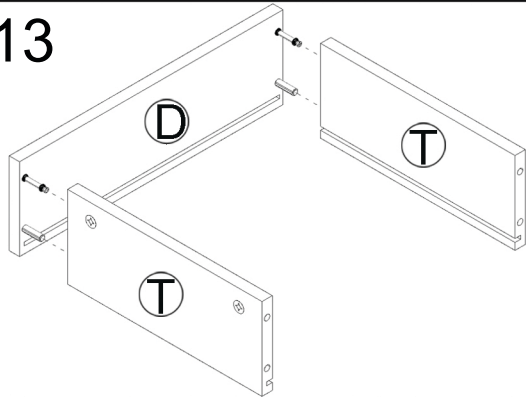


8

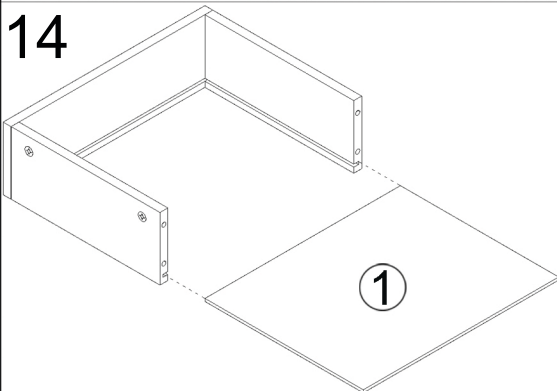




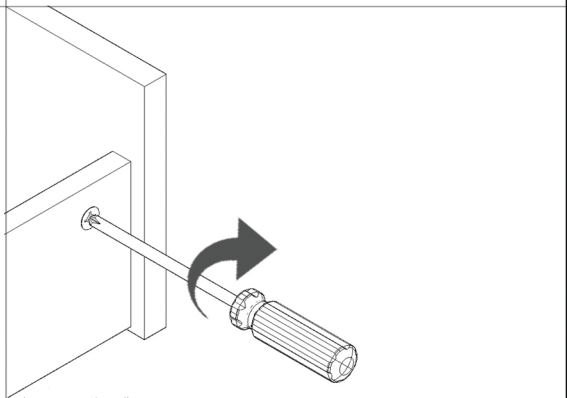
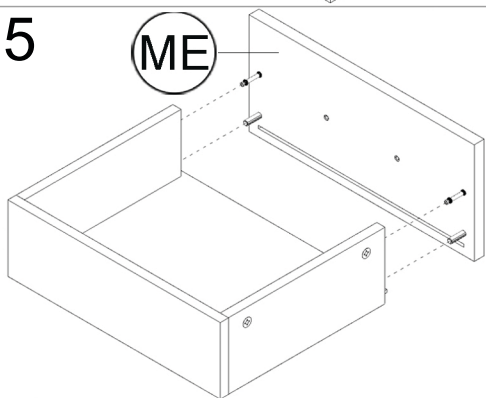
13



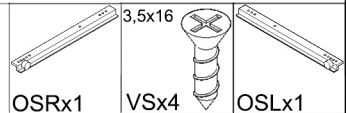
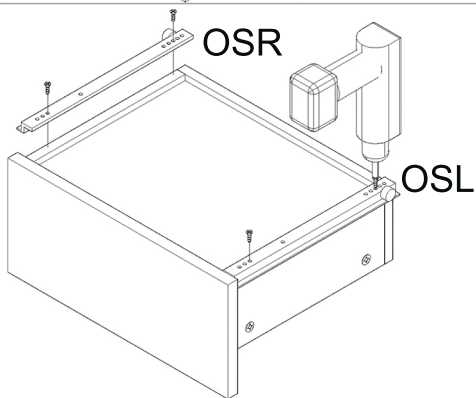
14



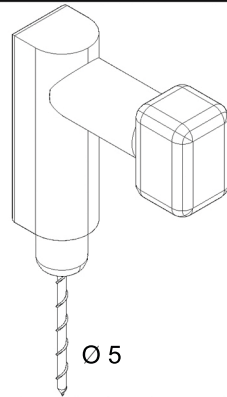
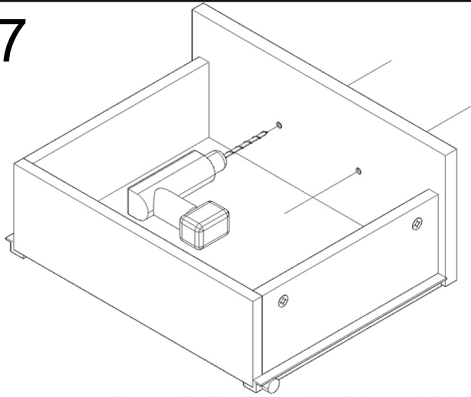
15



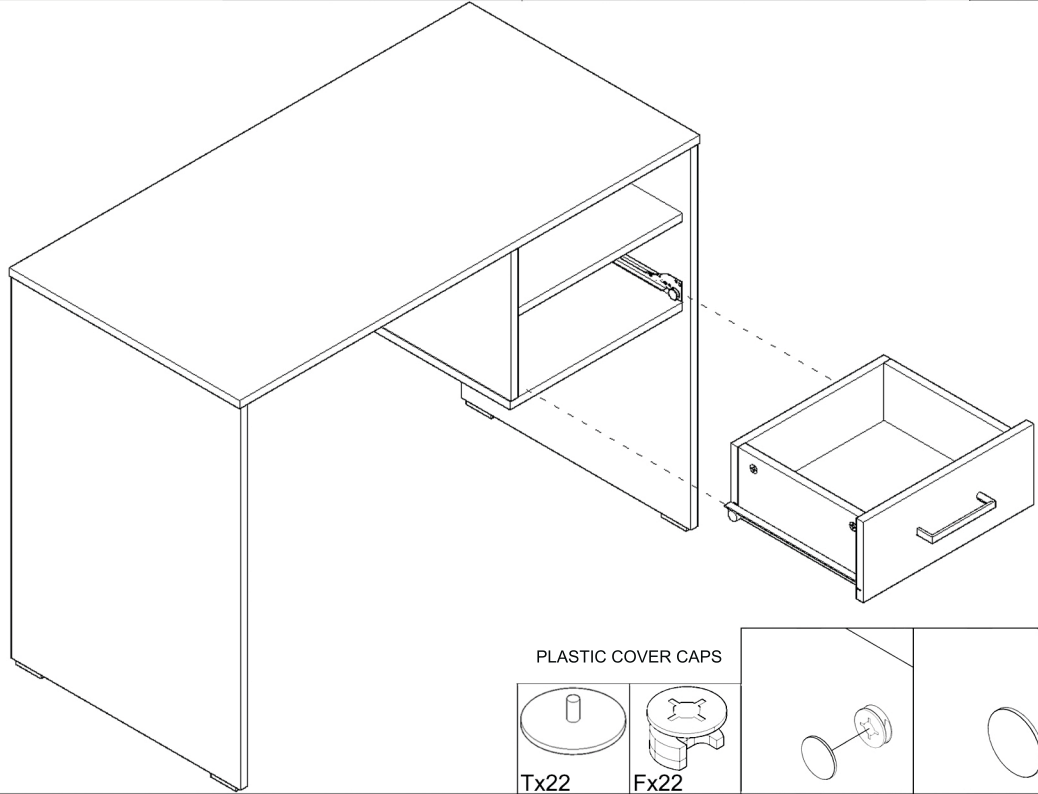
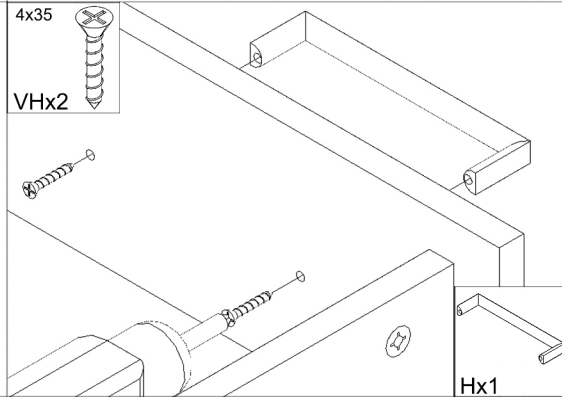
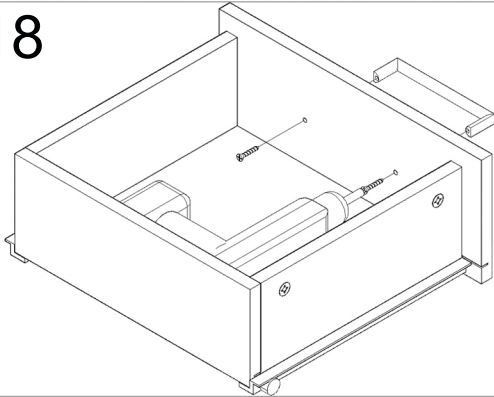
16



17



18



PLASTIC COVER CAPS

