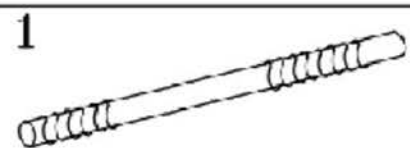
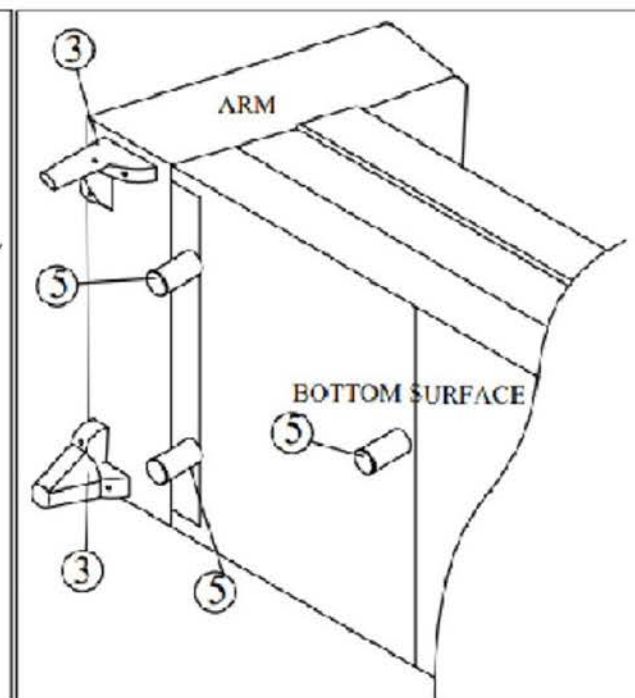
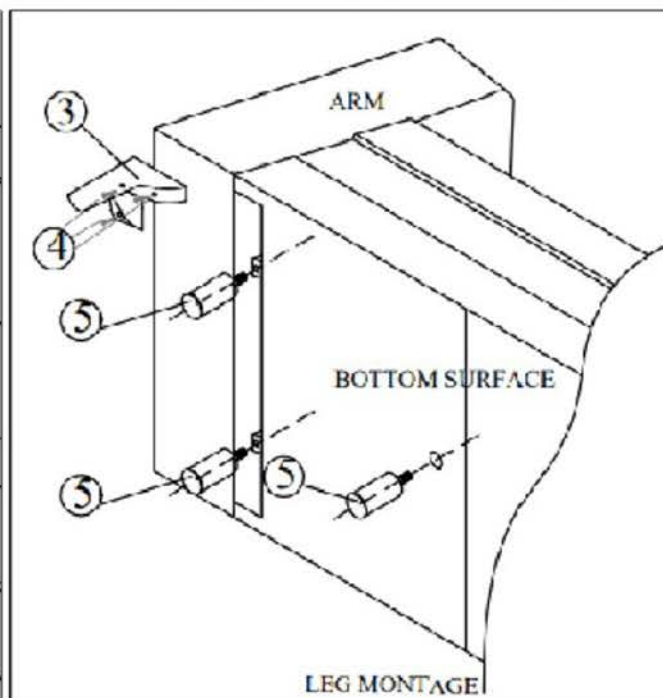
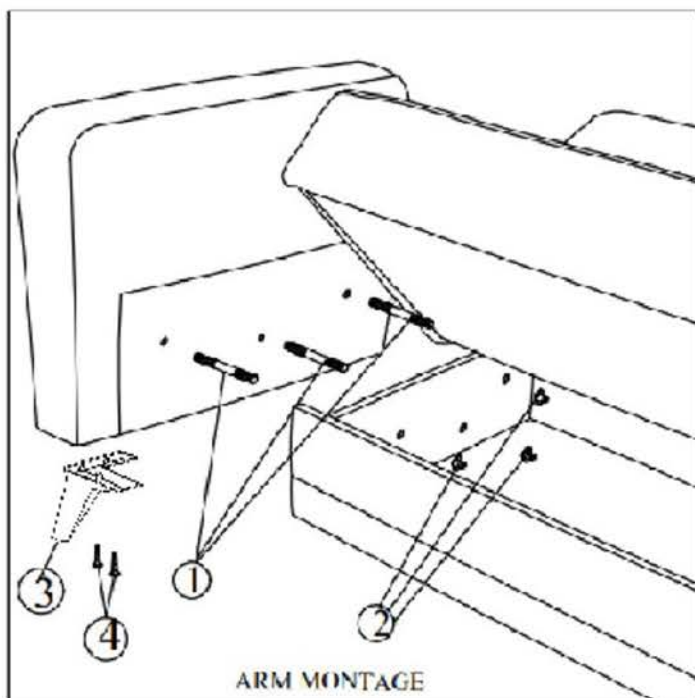
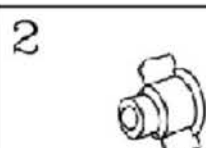


213-000012

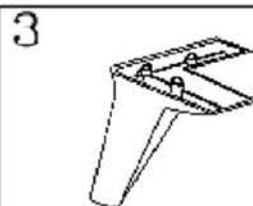
ASSEMBLING GUIDE



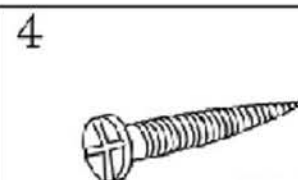
1
CONECTION APPARATUS x 6



2
WING NUT x 6



3
LEG x 4



4
NUT x 12



5
MIDDLE LEG x 1